

CATALOGO DE PARTES

RETRO PALA | 101-25

MICHIGAN[®]

MAYO 2024

PART'S CATALOGUE BUTTERFLY



TABLE OF CONTENT

S NO.	DESCRIPTION	PAGE NO
01 ASSEMBLIES		
01.01	CHASSIS ASSEMBLY	5
01.02	STABILIZER INST. ASSEMBLY	6
01.02	STABILIZER ASSEMBLY	7
01.02	SLIDER OUTER COVER WITH NYLON PAD	8
01.03	BONNET ASSY	9-10
01.04	CABIN ASSEMBLY	11-12
01.05	CABIN SUB ASSEMBLY	13-15
01.06	LOADER LINKAGE ASSEMBLY	16-18
01.07	BOOM ASSEMBLY	19-20
01.08	DIPPER ASSEMBLY	21
01.09	KING POST ASSEMBLY	22-23
01.10	SLEW ASSEMBLY	24
01.11	ENGINE AND TRANSMISSION ASSEMBLY	25-26
01.12	AIR INTAKE ASSEMBLY	27-28
01.13	EXHAUST ASSEMBLY	29-31
01.14	FUEL TANK ASSEMBLY	32-33
01.15	PROPELLER SHAFT ASSEMBLY	34
01.16	FRONT AXLE ASSY	35
01.17	REAR AXLE ASSEMBLY	36
01.18	TYRE ASSY BKT-14X25	37
01.19	TYRE ASSY STD 16.9X28	38
01.20	TYRE ASSY BKT 12.5/80X 18	39
01.21	BRAKE LINKAGE ASSY	40-41
01.22	PARKING BRAKE ASSEMBLY	42-43
01.23	GEAR SHIFTING ASSEMBLY	44
01.24	LOADER CONTROL VALVE ASSEMBLY	45-46
01.25	LOADER CONTROL VALVE ASSEMBLY 6 IN 1	47-49
01.26	EXCAVATOR CONTROL VALVE ASSEMBLY	50-52
01.27	ACC LINKAGE ASSEMBLY	53
01.28	HYDRAULICS STEERING ASSEMBLY	54-55
01.29	HYDRAULIC TANK ASSEMBLY	56-57
01.30	COOLING SYSTEM ASSEMBLY	58-60
01.31	LIGHT INSTALLATION ASSEMBLY	61-62
01.32	BATTERY INSTALLATION	63
01.33	DASHBOARD INSTRUMENT	64-65
01.34	LOADER BUCKET ASSEMBLY (1.2 CUM)	66-67
01.35	LOADER BUCKET ASSEMBLY 6IN 1.1 (CUM)	68-69
01.36	EXCAVATOR BUCKET ASSY (0.30 CUM)	70-71
01.37	EXCAVATOR BUCKET ASSY (0.24 CUM)	72-73

01.38	EXCAVATOR BUCKET ASSEMBLY (0.18 CUM)	74-75
01.39	EXCAVATOR BUCKET ASSEMBLY (0.12 CUM)	76-77
01.40	PUMP ASSEMBLY	78
01.41	FEED PIPE SUB ASSEMBLY	79-80
01.42	DECAL ASSEMBLY	81
01.43	WIRING HARNESS	82
01.44	STICKERS ASSY	83-84

02 CARRARO TRANSMISSION COMPONENT'S

02.01	OIL PUMP	85
02.02	OIL FILTER	86
02.03	TRANSMISSION HOUSING	87-88
02.04	INPUT ABD PTO TRANSMISSION SHAFT	89-90
02.05	REVERSE SHAFT (AXE D) AND PRIMARY SHAFT (AXE B)	91
02.06	SECONDARY SHAFT (AXE C)	92-93
02.07	4WD SHAFT	94-95
02.08	SPEED CONTROLS	96-97
02.09	CONTROL VALVE	98-99
02.10	SOLENOID VALVE	100
02.11	TORQUE CONVERTER	101

03 KIRLOSKAR ENGINE COMPONENT'S

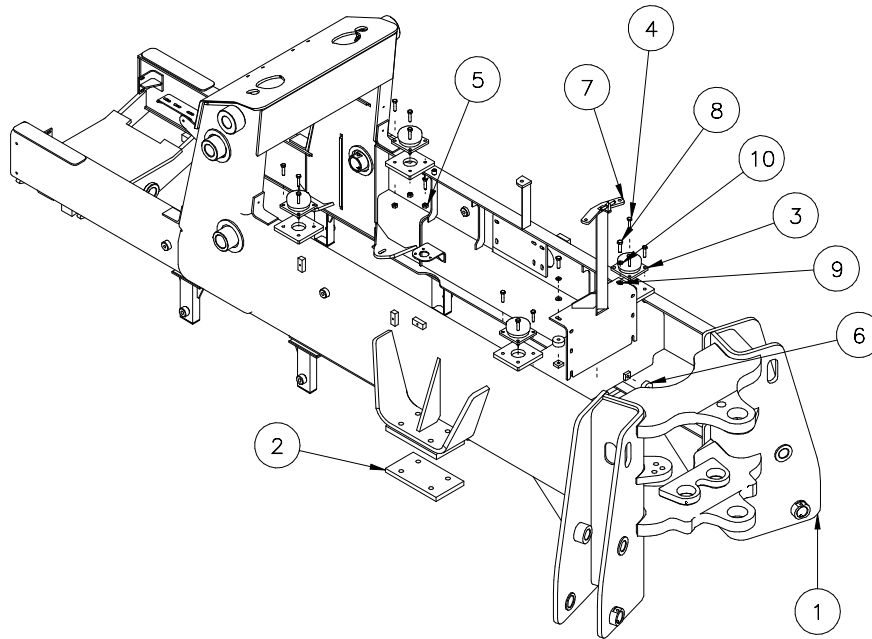
03.01	ADAPTOR FOR INLET MANIFOLD	102
03.02	ALTERNATOR 12V-65A MICO	103
03.03	BOSCH ROTARY FIP	104
03.04	BRACKET FOR MOUNTING ACCELERATOR & STOP CABLE	105
03.05	BREATHER PIPE (TURBO ENGINE)	106
03.06	COVER PLATE FOR OIL FILLING ON GEAR CASING	107
03.07	CRANK SHAFT PULLEY WITH POLY V GROOVE (P6PK200)	108-111
03.08	CRANKCASE (TURBOCHARGED ENGINE)	112
03.09	CRANKSHAFT INTEGRAL	113
03.10	CYLINDER HEAD ASSEMBLY	114-117
03.11	CYLINDER LINER.(105 DIA)	118
03.12	DELIVERY BODY.	119
03.13	DIPSTICK 35 DEG	120
03.14	EXHAUST DIFFUSER FOR K24 TC (CMVR)	121
03.15	EXHAUST MANIFOLD FOR K24 TC (CMVR)	122
03.16	FAN MOUNTING	123
03.17	FIP GEAR COVER AND FEED PUMP ASSEMBLY	124
03.18	FIP GEAR WITH FACIAL CAM	125
03.19	FLYWHEEL END FOOT	126
03.20	FLYWHEEL FOR CARRARO TRANSMISION	127
03.21	FLYWHEEL HOUSING SAE 3 144.5 MM , TWO STARTER BORE	128
03.22	FUEL PIPE FILTER TO FIP BS III	129

03.23	GEAR CASING (NEW DESIGN COMBINED WITH FRONT COVER) WITH TIMING POINTER	130-131
03.24	GEAR END FOOT	132
03.25	HIGH PRESSURE PIPE ASSEMBLY	133
03.26	HOSE FOR AIR CLEANER	134
03.27	HOSE T-BOLT CLAMP (DIA. 55-65)	135
03.28	IEGR CAMSHAFT & GEAR ASSEMBLY	136
03.29	INJECTOR ASSEMBLY	137
03.30	INLET MANIFOLD (FEW TOP OPEN)	138
03.31	INTERMEDIATE GEAR & SUPPORT FOR COMBINED GEAR CASING	139
03.32	LOP INTERMEDIATE GEAR AND SUPPORT	140
03.33	LEAK OFF PIPE ASSLY	141
03.34	LIFTING HOOK (S/F 440 CRS WATER PUMP)	142
03.35	LUB OIL COOLER (8 PLATE COOLER) & SPIN-ON FILTER)	143-144
03.36	LUB OIL PUMP	145-146
03.37	LUBE OIL SUMP FABRICATED	147
03.38	LUBE OIL PR SENDOR (TWO TERMINAL WITH BODY GROUND)	148
03.39	MICO STARTER 12VDC	149
03.40	MOUNTING FOR ALTERNATOR 90/65 AMPS WITH 79.1 PCD 6PK POLY V PULLEY	150-151
03.41	MUD COLLECTOR BSIII	152
03.42	NAME PLATE	153
03.43	OIL SEAL HOUSING (FLYWHEEL END)	154
03.44	PISTON & CON ROD (TURBOCHARGED ENGINE)	155-156
03.45	PLASTIC CAP FOR INLET ADAPTOR	157
03.46	PLUG FOR INLET MANIFOLD	158
03.47	POLY V BELT	159
03.48	PRE CLEANER BS- III	160
03.49	PUSHROD & TAPPETS	161
03.50	RADIAL SEAL AIR CLEANER 8 CU. M PER MIN	162
03.51	ROCKER COVER (TURBO ENGINE) CASTING	163
03.52	ROCKER SUPPORT ASSLY (LOW FREQ. TAPPET ADJ)	164-165
03.53	SPIN ON FUEL FILTER (WITH HAND PRIMER) SUITABLE FOR ROTARY PUMP	166
03.54	STOP LEVER ARRANGEMENT FOR BS III ENGINES	167
03.55	SUCTION TUBE (4R1040T FABRICATED SUMP 35 DEG INCL)	168
03.56	T BOLT CLAMP KLIPCO TB108 / JUPITOR (108 TO 116 DIA)	169
03.57	THERMOSTAT AND MOUNTING (71 MM COVER)	170-171
03.58	TR59 6.1 HSG TURBOCHARGER	172
03.59	TURBO LUB OIL SUPPLY AND DRAIN ARRANGEMENT FOR K 24 TC	173-174
03.60	WATER PUMP 282.5 CRS WITHOUT PULLEY	175
03.61	WATER PUMP PULLEY WITH POLY V GROOVE (P6PK120)	176

04	CARRARO REAR AXLE COMPONENTS	
04.01	AXLE HOUSING	177-178
04.02	BEVEL GEAR SET	179-180
04.03	DIFFERENTIAL	181-182
04.04	BRAKES	183-184
04.05	BRAKES CONTROL	185-186
04.06	WHEEL HUB	187-188
04.07	FINAL REDUCTION	189
04.08	REAR AXLE OVER HAULING KIT	190
05	CARRARO FRONT AXLE COMPONENTS	
05.01	AXLE HOUSING	191
05.02	BEVEL GEAR SET	192-193
05.03	DIFFERENTIAL	194
05.04	DOUBLE U JOINT	195
05.05	FINAL REDUCTION	196
05.06	SWIVEL HOUSINGS & STEERING CYLINER	197-198
05.07	WHEEL HUB	199
06	TANDEM PUMP	200
07	STANDARD TOOL KIT COMPONENTS	201-204
08	PROPELLER SHAFT	205
09	HOSES KIT	206
10	HYDRAULIC CYLINDERS	207-217

CHASSIS ASSEMBLY (20031121500)

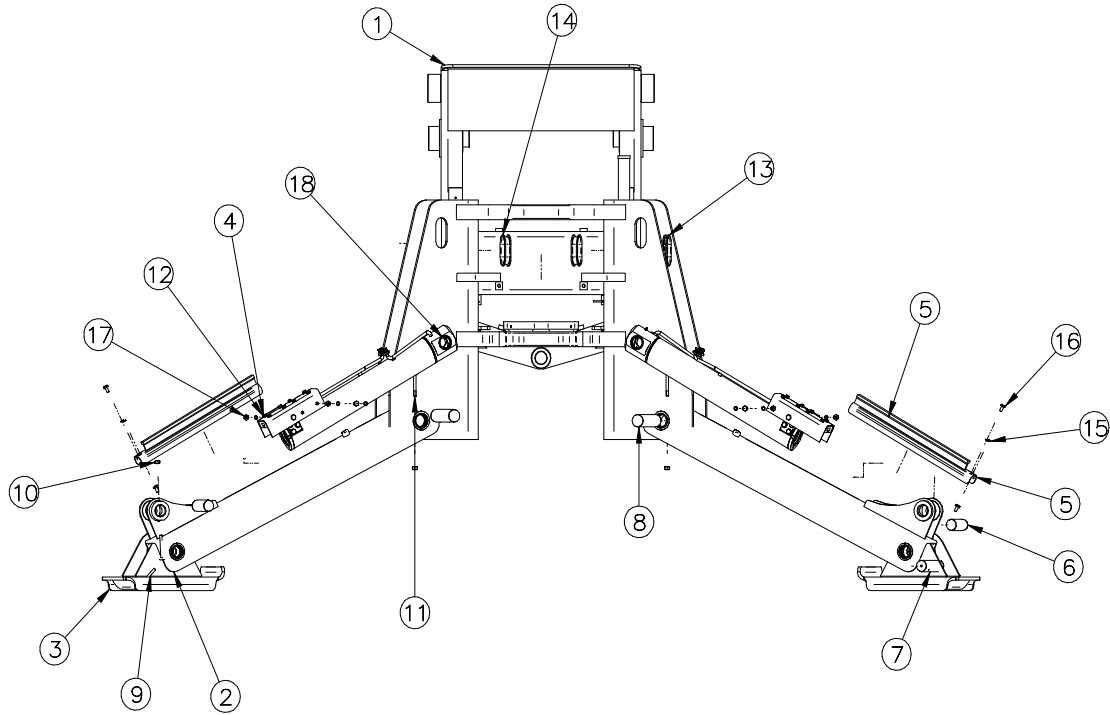
FIGURE NO: - 01.01



S.NO	PART NO	REV	DESCRIPTION	QTY	REMARKS
1	200311321000	B	MAIN CHASSIS FAB 4WD	1	NEW
2	200511412500	C	REAR AXLE MTG. PLATE	2	
3	940000006100	A	CABIN MOUNT	4	PTC 400 RED
4	901101012090	A	BOLT HEX	16	M10x45, Gr -10.9
5	901221000000	A	NUT NYLOCK	16	M10
6	940000001500	F	RUBBER MOUNT	4	DIA 50 X 21 THK
7	200542300200	E	CV MTG FAB	1	
8	901501212090	A	SCREW_HEX_M12x45	4	
9	901601200000	A	WASHER PLAIN	4	M12
10	901611200000	A	WASHER_SPRING_M12	4	M12

STABILIZER INST. ASSY. (200313725000)

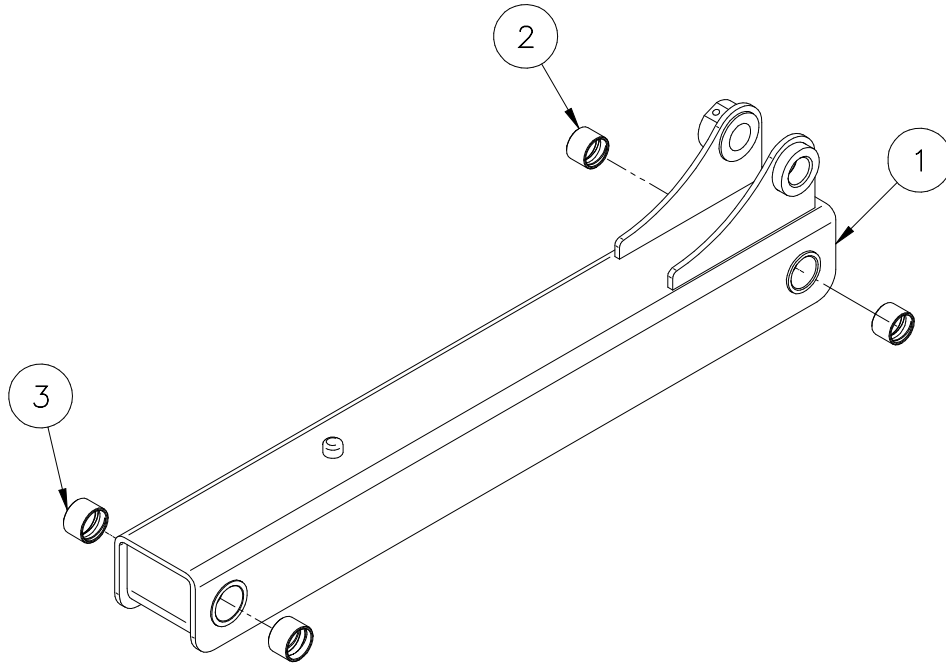
FIGURE NO: - 01.02



S.NO	PART NO	REV	DESCRIPTION	QTY	REMARKS
1	200311321000	B	MAIN CHASSIS FAB 4WD	1	
2	200313724900	A	BUTTERFLY STABILIZER ASSY	2	
3	200313721600	B	BOTTOM FOOT FAB	2	
4	200313725100	A	SLIDER OUTER COVER WITH NYLON ASSY	2	
5	200313723300	B	SLIDER FAB	2	
6	200313723200	A	STABILIZER CYL. PIN	2	
7	200313723400	A	BOTTOM FOOT FAB PIN	2	
8	200313723600	A	STABILIZER MTG. PIN	2	
9	901101012180	A	BOLT HEX	6	M10x90, Gr - 8.8
10	901221000000	A	NUT NYLOCK	8	M10
11	901101012170	A	BOLT HEX	2	M10x85, Gr - 8.8
12	200395101809	D	BUTTERFLY STAB. CYL.	2	
13	200311446600	A	STAB HOSE GROMMET	2	
14	200311446700	A	STAB HOSE GROMMET	2	
15	901611000000	A	WASHER SPRING	12	M10
16	901501012040	A	SCREW HEX	4	M10x20, Gr - 10.9
17	901501012050	A	SCREW HEX	8	M10x25, Gr - 10.9
18	200313723700	A	STABILIZER CYL. MTG.PIN	2	

STABILIZER ASSY. (200313724900)

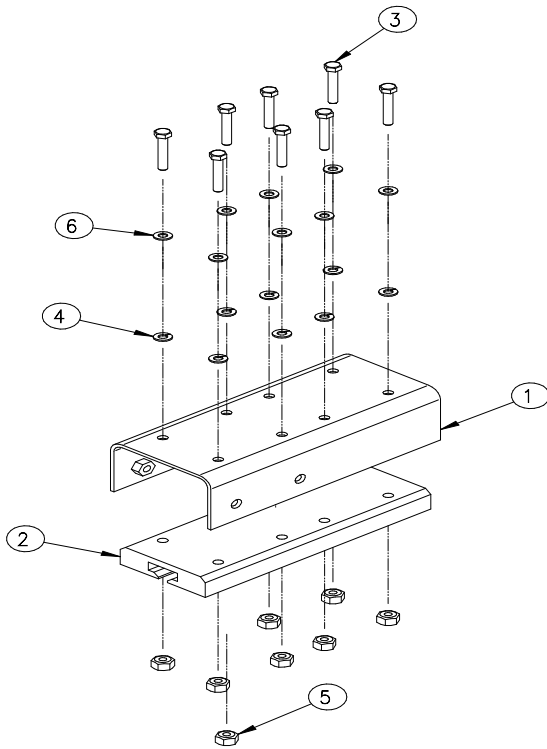
FIGURE NO: - 01.03



S.NO	PART NO	REV	DESCRIPTION	QTY	REMARKS
1	200313721800	B	STABLIZER FAB	1	
2	200311446100	A	GUN METAL BUSH	2	
3	200311446200	A	GUN METAL BUSH	2	

SLIDER OUTER COVER WITH NYLON PAD ASSY. (200313725100)

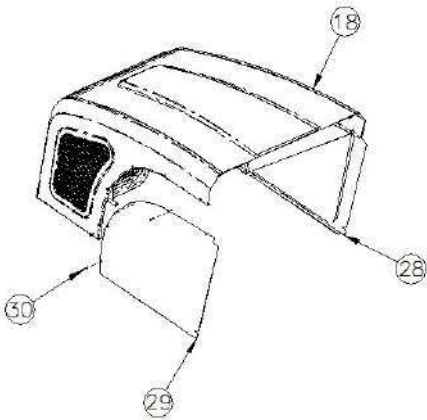
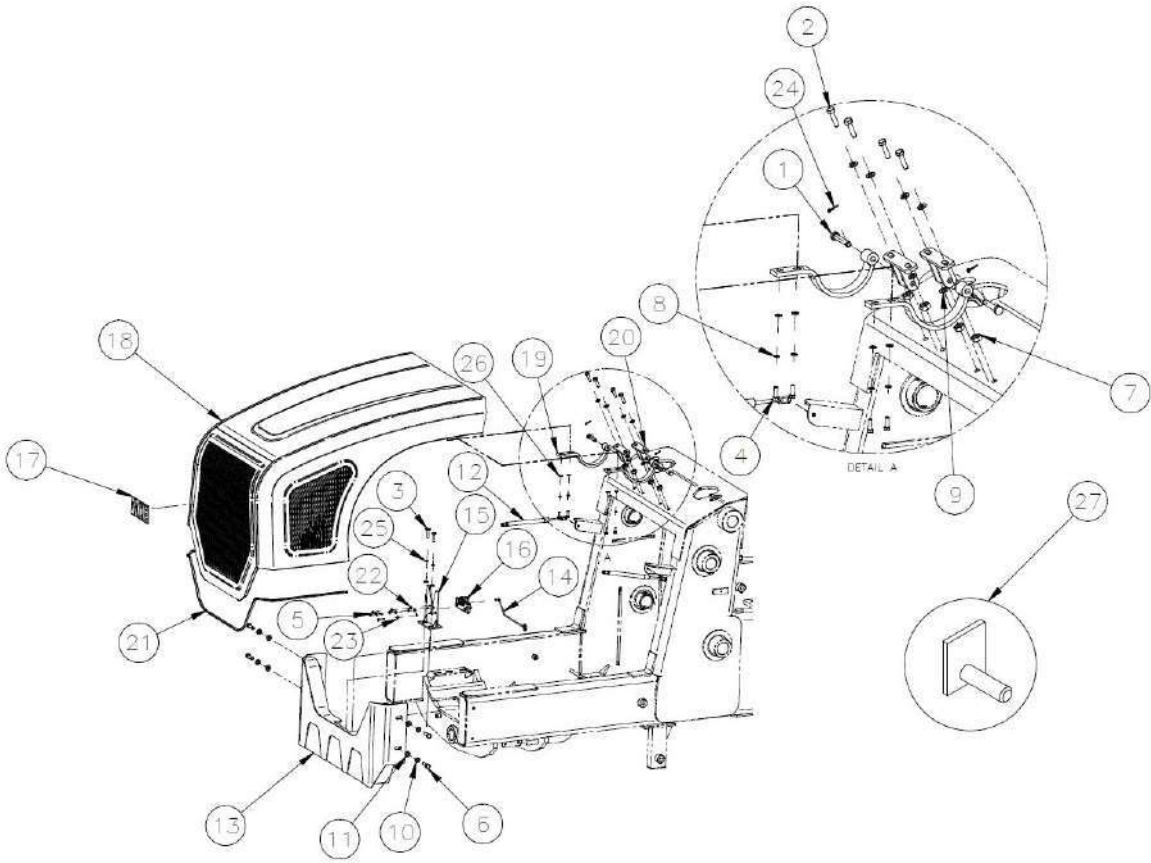
FIGURE NO: - 01.03



S.N O	PART NO	RE V	DESCRIPTION	QTY	REMARKS
1	200313724800	A	SLIDER COVER OUTER FAB	1	
2	200313721200	B	NYLON PAD	1	
3	901500812100	A	SCREW_HEX_M8x50	8	M8x40, Gr - 8.8
4	901610800000	A	WASHER SPRING	8	M8
5	901220800000	A	NUT NYLOCK	8	M8
6	901600800000	A	WASHER PLAIN	8	M8

BONNET INST. ASSEMBLY (200393120500)

FIGURE NO: - 01.03



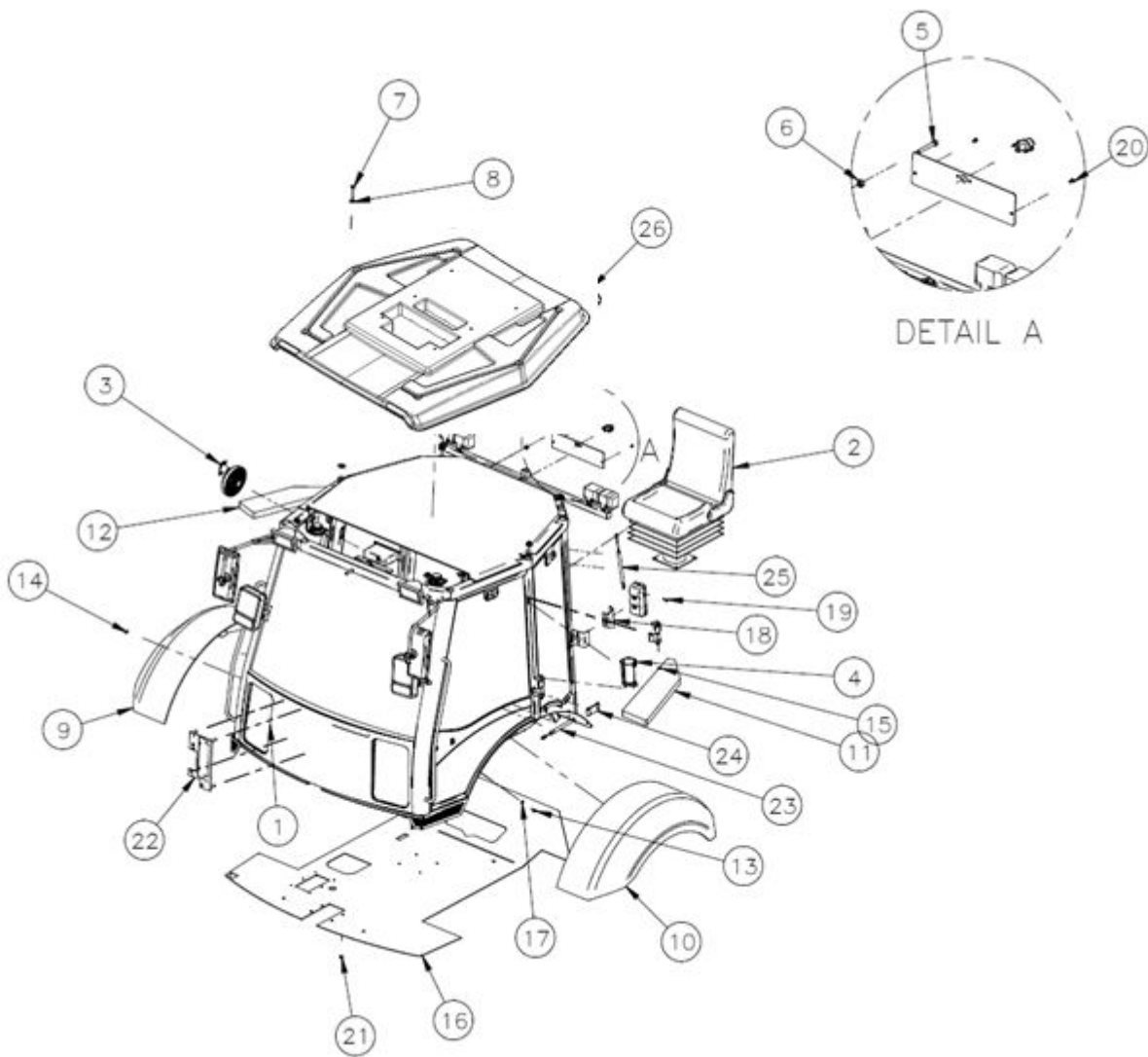
BONNET INST. ASSEMBLY (200393120500)

FIGURE NO: - 01.03

S. No	Part No	REV	DESCRIPTION	QTY	REMARKS
1	200564440300	A	BONNET MTG PIN - 65X12 MM	2	
2	901501012080	A	SCREW HEX M10X40 GR.8.8	4	
3	901501012060	A	SCREW HEX M10X30-GR 8.8 ..	2	
4	901500812050	A	SCREW HEX M8X25-GR-8.8	4	
5	901500612060	A	BOLT HEX-M6X30,GR-8.8.	4	
6	200393420310	A	M 12 DOME ALLEN BOLT L30 10.9Gr.	4	
7	901221000000	A	NUT NYLOCK M10	4	
8	901610800000	A	SPRING WASHER B-8.	4	
9	901601000000	A	WASHER PLAIN M10-2 MM	10	
10	901611200000	A	SPRING WASHER B-12.	4	
11	901601200000	A	WASHER PLAIN M12-2.5MM	4	
12	423561402200	A	GAS SPRING (NEW SHEET METAL)	2	
13	200564324810	C	BUMPER FAB	1	
14	200364423000	A	BONNET OPENING ROD	1	
15	200564449300	D	BONNET LOCK MTG BRACKET-	1	
16	200393420900	A	BONNET LOCK(SHIVANI)	1	
17	424092100900	A	ACE LOGO NEW	1	
18	200364319900	B	BONNET FABRICATION	1	
19	200564325200	A	BONNET CLAMP FABRICATION	2	
20	200564325100	A	BONNET CLAMP MTG FAB	2	
21	423561401600	A	BONNET REST BEADING (NEW SHEET METAL)	1.9	Mtr.
22	901600600000	A	WASHER PLAIN, M6	4	
23	901610600000	A	WASHER SPRING, M6	4	
24	900400300250	A	SPLIT PIN	2	
25	901611000000	A	WASHER SPRING,M10	2	
26	901600800000	A	WASHER PLAIN,M8	4	
27	200364420400	A	BONNET LOCK ARRANGEMENT	1	
28	200364420100	A	BONNET FRONT GRILL	1	
29	200364420200	A	BONNET SIDE GRILL	2	

CABIN ASSEMBLY (200363121000)

FIGURE NO: - 01.04



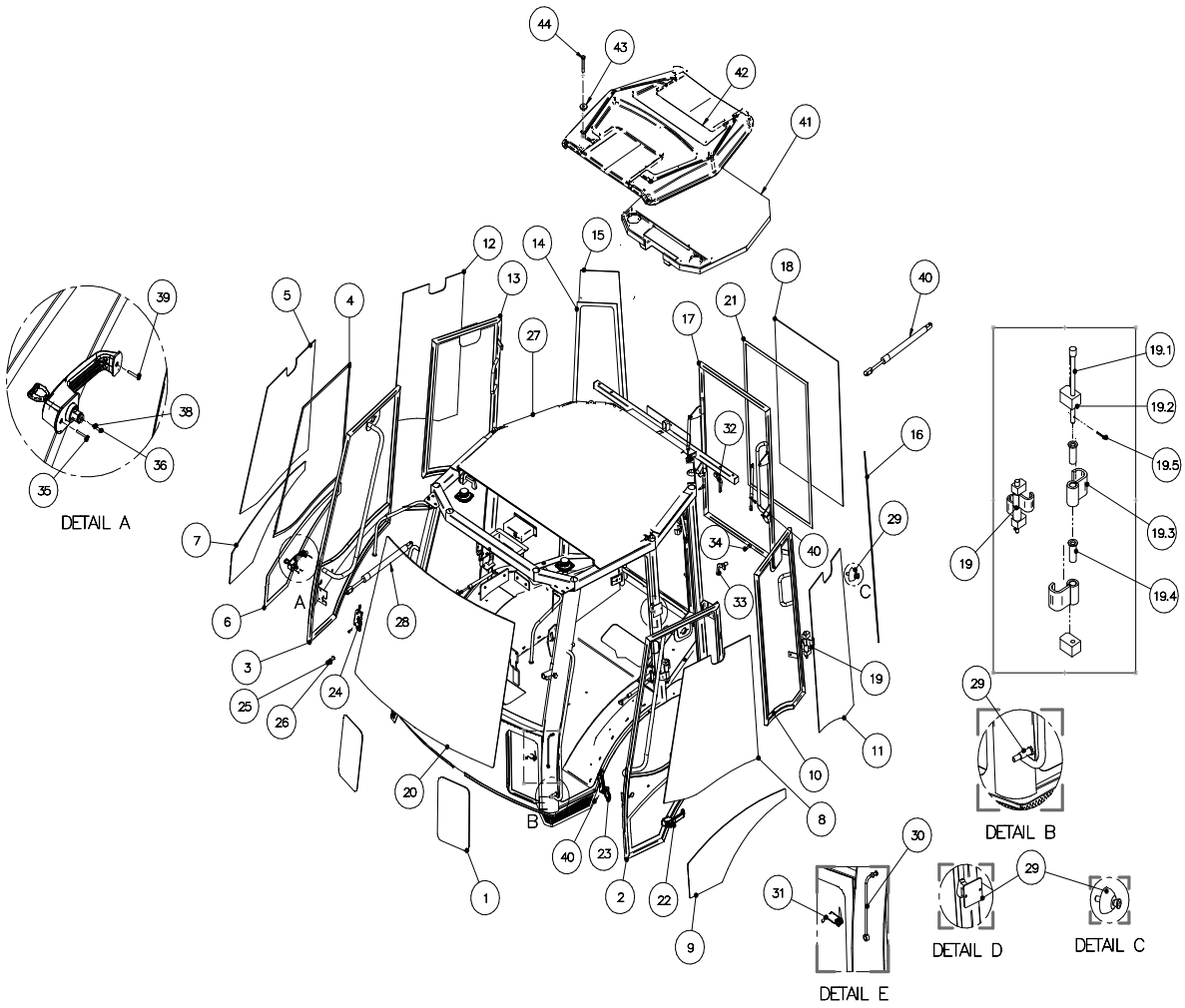
CABIN ASSEMBLY (200363121000)

FIGURE NO: - 01.04

S. No	Part No	REV	DESCRIPTION	QTY	REMARKS
1	200563437600	A	FRONT CAB-BASE SHEET	1	
2	936100000100	A	MAJESTIC DRIVER SEAT	1	
3	941900000100	A	FAN 12V (FOR CABIN).	1	
4	200563447800	A	STAND WATER BOTTLE	1	
5	901101012160	A	BOLT HEX M10X80, GR – 8.8	5	
6	901221000000	A	NUT NYLOCK M10	7	
7	901101212180	A	BOLT HEX-M12X90,GR 8.8.	6	
8	901601200000	A	WASHER PLAIN M12-2.5MM	4	
9	200563481100	A	FENDER RH	1	
10	200563481200	A	FENDER LH	1	
11	200563471800	A	HELPER SEAT-LH , L=911MM	1	
12	200563471900	A	HELPER SEAT-RH ,L=911MM	1	
13	901550812040	A	SCREW FLANGE HEX M8X20, GR – 8.8	2	
14	901200800000	A	HEX NUT-M8X1.25MM	16	
15	901611000000	A	WASHER	8	
16	200363323300	B	CAB BASE PLATE FAB	1	
17	901230810000	A	WELD NUT M8, IS:8856	2	
18	200563490900	A	LIGHT MTG BKT RH & LH	2	
19	901500812050	A	SCREW HEX	8	
20	901540612020	A	SLOTTED CHEESE HEAD SCREW M6X10	2	
21	901201000000	A	NUT	4	
22	200371320100	A	ELECTRICAL MTG PLATE FAB BS-IV	1	
23	200563468800	A	GAS SPRING FOR MAIN DOOR	2	
24	200563427500	A	DOOR BELT 200 MM LENGTH	2	
25	200563485400	A	GAS SPRING REAR SILDING DOOR	2	
26	200362420900	A	CANOPY ASSY.	1	

CABIN SUB ASSEMBLY (200363121100)

FIGURE NO: - 01.05



CABIN SUB ASSEMBLY (200363121100)

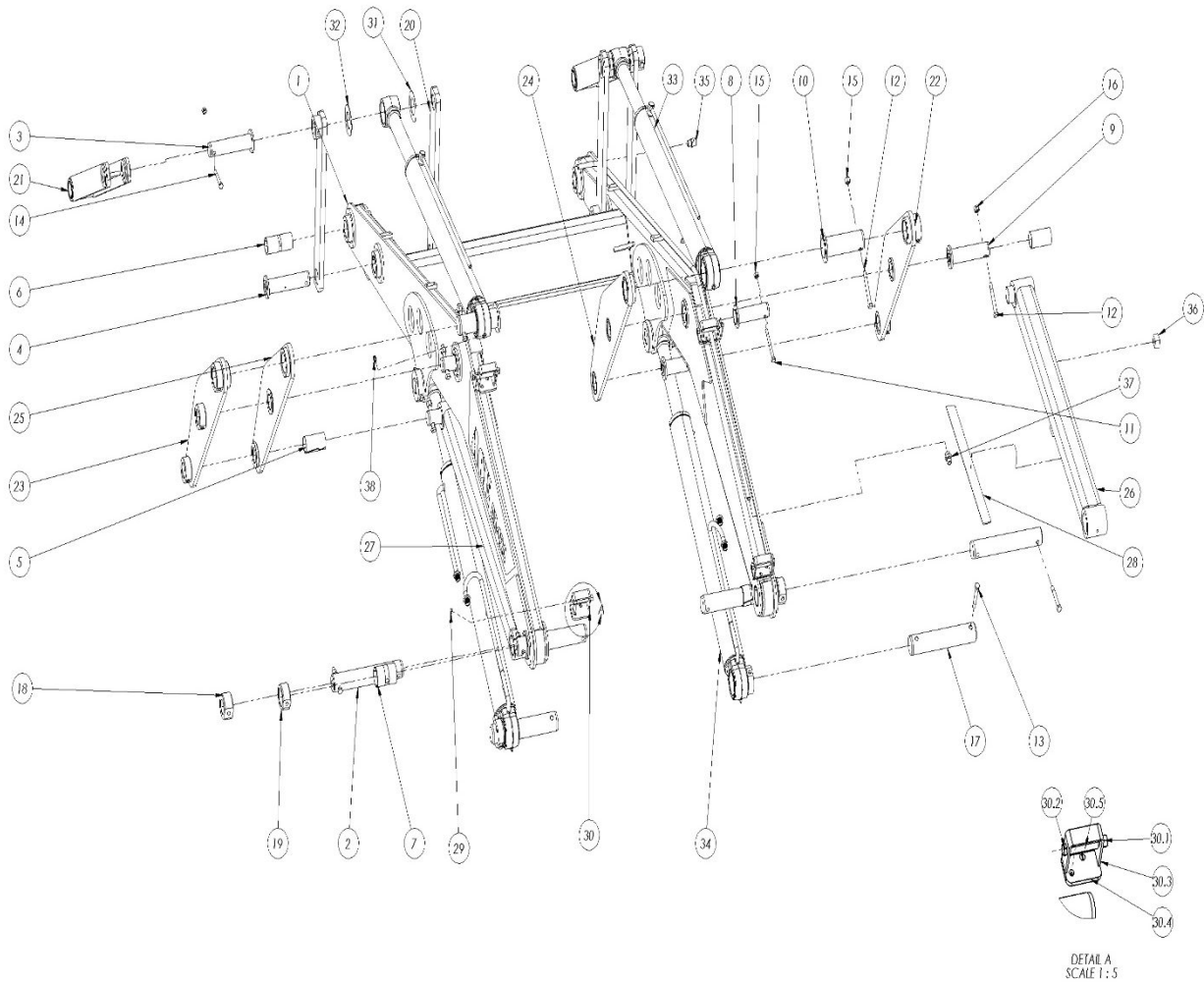
FIGURE NO: - 01.05

S. No	Part No	REV	DESCRIPTION	QTY	REMARKS
1	200563437500	A	FRONT GLASS & SIDE MIRROR-LH & RH	2	
2	200563463000	A	FRONT DOOR FRAME FAB. LHS	1	
3	200563463100	A	FRONT DOOR FARMME FAB.RHS	1	
4	200563463300	A	GLAZING STRIP TOP	2	
5	200563463200	A	GLASS UPPER RH-841X797X5MM	1	
6	200563482100	A	GLAZING STRIP BOTTOM	2	
7	200563482300	A	GLASS LOWER-RH (845X405X5MM	1	
8	200563462900	A	GLASS UPPER LH-841X797X5MM	1	
9	200563482600	A	GLASS LOWER- LH (845X405X5MM	1	
10	200563463400	A	SIDE WINDOW FAB. (LHS)	1	
11	200563424710	A	MIDDLE GLASS-LH -1092X561X5MM	1	
12	200563463600	A	MIDDLE GLASS-RH (1092X501X5MM	1	
13	200563463700	A	SIDE WINDOW FAB. (RHS)	1	
14	200563476300	A	GLAGING FOR FIX GLASS	2	
15	200563471000	A	FIXED GLASS-RH-1127X388X5MM	1	
16	200563468700	A	FIXED GLASS-LH -1127X388X5MM	1	
17	200563320710	A	REAR DOOR FRAME FAB	1	
18	200563490610	A	REAR DOOR GLASS 1062X620X5MM	1	
18A	200563320710	A	REAR DOOR WITH GLASS S. NO. 17&18	1	
19	200563464610	B	HINGE KIT ASSY. NEW (SET OF 5 ITEMS)	4	
19.1	200563462700	A	HINGE PIN	1	
19.2	200563464700	C	PLATE	2	
19.3	200363463800	B	HINGE PLATE FAB.	2	
19.4	200363460400	A	BUSH	2	
19.5	901400300000	A	SPLIT PIN DIA 3	1	
20	200563424400	A	FRONT GLASS-1361X920X8.7MM	1	
21	200563490510	A	REAR DOOR GLAZING STRIP	1	
22	200361424000	A	DOOR HANDLE WITH KEW LH & RH (NEW)	2	
23	200361424100	A	DP DOOR LOCK LH (NEW)	1	
24	200361423900	A	DP DOOR LOCK RH (NEW)	1	
25	200363460300	A	STRIKER	2	
26	901201200000	A	NUT FOR STRIKER	2	
27	200563124700	C	CABIN ASSEMBLY	1	
28	200563468800	A	GAS SPRING FOR CABIN DOOR	2	
29	ABLPFCA00063	A	WINDOW CATCHER ASSY. RH & LH	2	
30	ABLPFCA00021	A	DOOR STAY	2	
31	ABLPFCA00025	A	DOOR STAY SPRING	2	
32	200363321600	A	REAR SLIDING WINDOW LOCK LH	1	
33	200363322000	A	REAR SLIDING WINDOW LOCK RH	1	
34	200563491210	A	PIN FOR REAR SLIDING WINDOW LOCK	2	
35	901100612080	A	BOLT 6X40	4	
36	901500612060	A	BOLT 6X30	2	

37	901500612040	A	BOLT 6X20	4	
38	901220600000	A	LOCK NUTM6	2	
39	901600600000	A	PLAIN WASHER	10	
40	200563485400	A	GAS SPRING FOR SLIDING DOOR	2	
41	200362420500	A	ROOF LINER SINGLE PART	1	
42	200562420100	A	CANOPY ASSY. FOR NEW PHANTOM CABIN	1	
43	200363464500	B	RUBBER WASHER FOR ROOF	4	
44	901101212160	A	BOLT_HEX_M12x80	4	

LOADER LINKAGE ASSEMBLY (200523120700)

FIGURE NO: - 01.06



LOADER LINKAGE ASSEMBLY (200523120700)

FIGURE NO: - 01.06

S. No	Part No	REV	DESCRIPTION	QTY	REMARKS
1	200521322700	F	MAIN LOADER ARM FABRICATION (WT-337.715 KG)	1	
2	200523220500	B	LOADER TOWER PIN -DIA 44.8X320MM ,(WT- 3.747 KG-	4	
3	200129300400	B	CENTRE LEVER PIN(ROD) FAB (DIA 44.9X202MM,	2	
4	200129300500	B	CENTRE LEVER PIN FAB	2	
5	200121200200	A	BUSH(51X45X80) (LOADER LINKAGE ASSY)-AX130	8	
6	200121200300	A	BUSH(51X45X118) (LOADER LINKAGE ASSY)-AX130	6	
7	200523221000	A	TENSION BUSH- DIA 61.6X55.6X90MM	4	
8	200521321900	C	LIFT ARM JACK PIN FAB	2	
9	200523320800	A	LINK ARM LINKAGE PIN FAB (DIA-70X44.9X184MM)	4	
10	200523320700	A	LINK ARM LINKAGE PIN FAB (DIA-90X59.9X184MM)	2	
11	901101012220	A	BOLT HEX-M10X110, GR - 8.8	2	
12	901101212200	A	BOLT HEX-M12X100,GR 8.8.	2	
13	901101212180	A	BOLT HEX-M12X90,GR 8.8.	12	
14	901101012160	A	BOLT HEX-M10X80,GR 8.8.	4	
15	901221000000	A	NUT NYLOCK M10	6	
16	901221200000	A	NYLOCK NUT M12X1.75MM	14	
17	200523419900	B	PIN LOADER LIFT CYL (WT- DIA 59.9X300MM,	2	
18	200523220700	B	LOCKING BUSH - DIA 80X45X40MM	2	
19	200523220800	B	LOCKING BUSH - DIA 80X45X35MM	2	
20	200523323100	A	CENTER LINKFABRICATION (WT- 7.141 KG)	4	
21	200523323000	A	BUCKET LINK LEVER FAB (WT- 13.140 KG)	2	
22	200523322600	A	OUTER LINK FAB-RH (WT- 16.869 KG)	1	
23	200523322700	A	OUTER LINK FAB-LH (WT-16.869 KG)	1	
24	200523322800	A	INNER LINK FAB-RH (WT-15.183 KG)	1	
25	200523322900	A	INNER LINK FAB-LH (WT-15.183 KG)	1	
26	200523324000	B	LOADER LEVER FAB RHS-	1	
27	200523324100	B	LOADER LEVER FAB LHS	1	

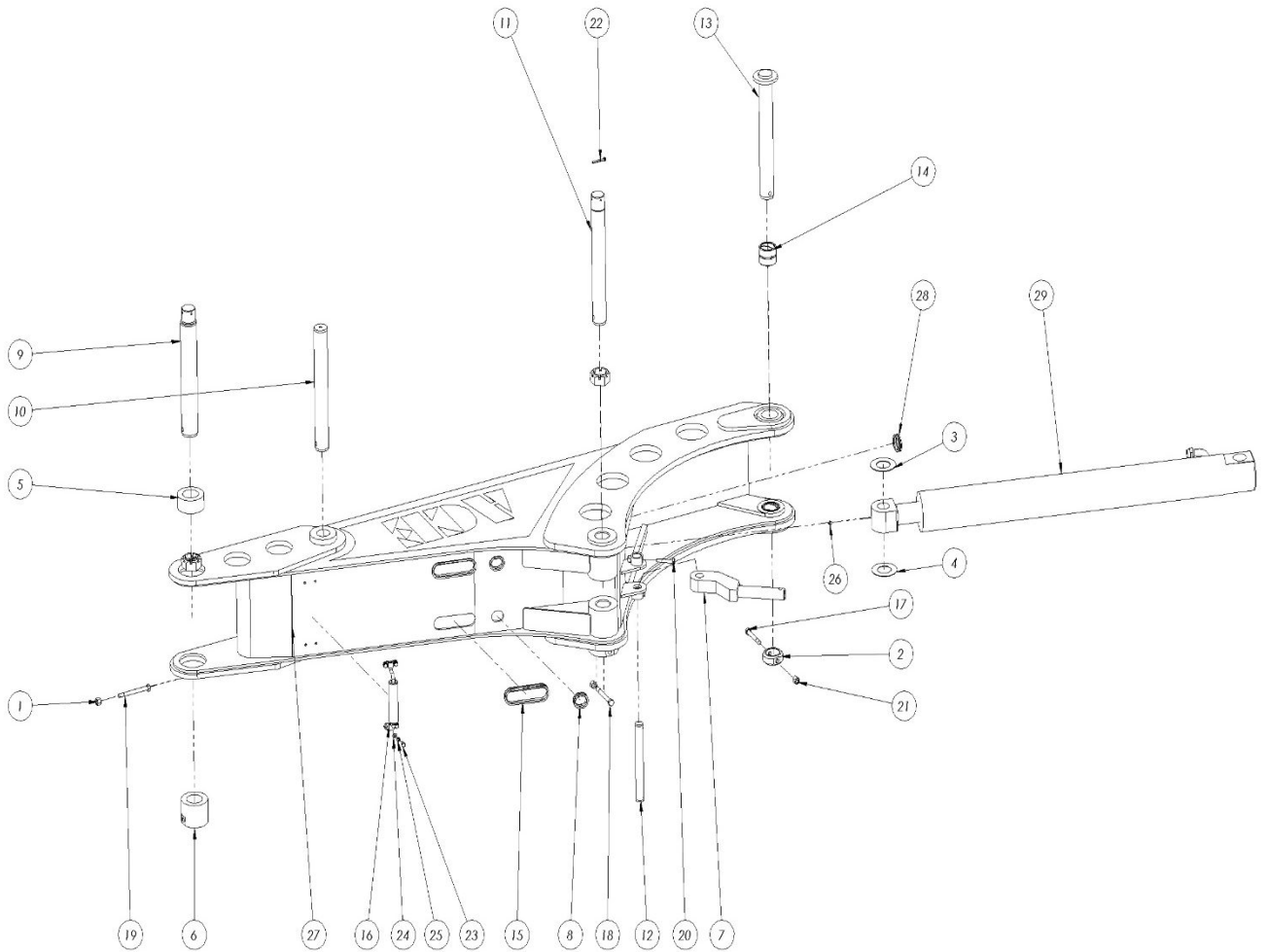
LOADER LINKAGE ASSEMBLY (200523120700)

FIGURE NO: - 01.06

S. No	Part No	REV	DESCRIPTION	QTY	REMARKS
28	200523121200	A	ARM GUARD SAFETY STUD SUB ASSY (WT- 6.925 KG- LOADER LINKAGE) AX PHANTOM	1	
29	901560612030	A	COUNTER SUNK SCREW-M6X16	8	
30	200571122500	B	HOSE GUIDE BRACKET FAB (WT- 0.563 KG-LOADER ARM) AX PHANTOM	4	
31	200523420610	A	SHIM - DIA 80X45X3MM (WT-0.81 KG-LOADER LINKAGE) AX PHANTOM	10	
32	200523420510	A	SHIM - DIA 110X45X3MM (WT-0.186 KG-LOADER LINKAGE) AX PHANTOM	16	
33	924500800786	C	BUCKET CYLINDER (CCL-1100MM) ACE PHANTOM	2	
34	924500800792	C	LOADER LIFT CYLINDER-RH (CCL-1245MM) ACE PHANTOM	2	
35	200145204700	A	ADOPTER (GREASE) M10X1	2	
36	200523420000	A	THREADED BOSS- 30X30X20 (S350)	2	
37	200145204900	A	ADOPTER 1/2" BSP X 1/2" BSP (L=46MM).	8	
38	902300200000	A	GREASE NIPPLEL TYPE1/8BSPSURLOCK.	10	

BOOM ASSEMBLY (200524120000)

FIGURE NO: - 01.07



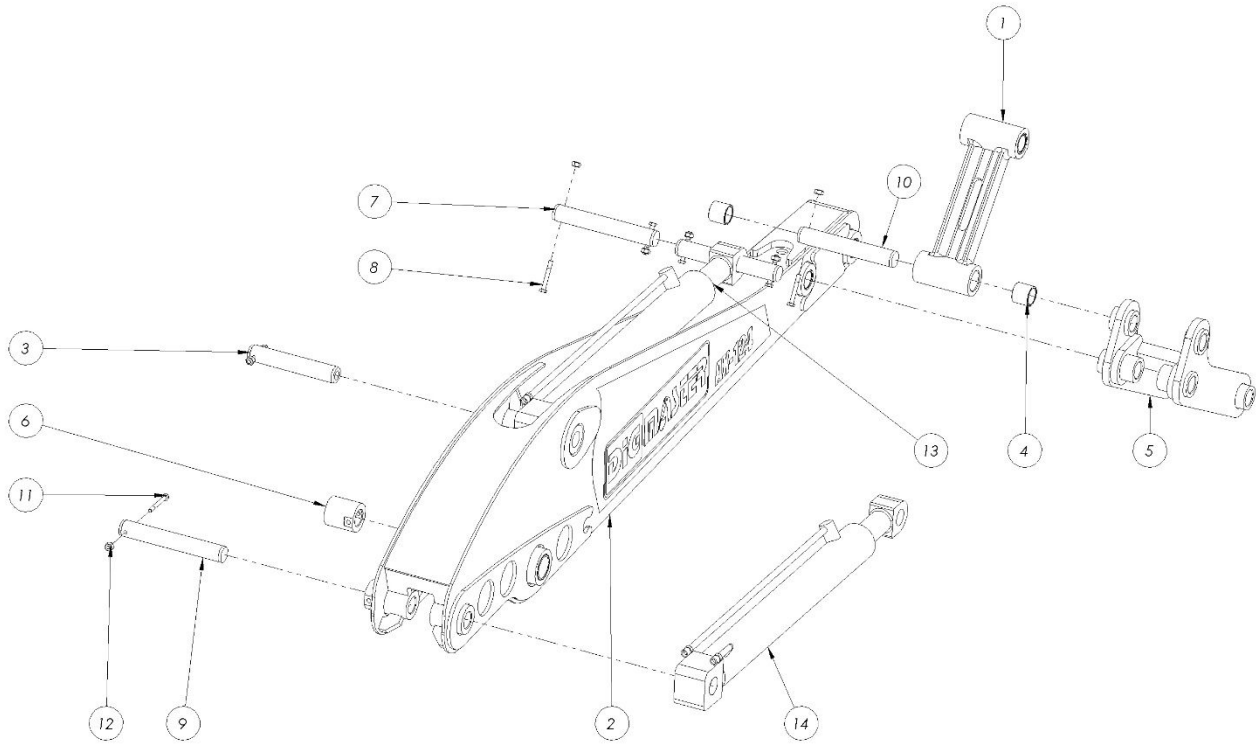
BOOM ASSEMBLY (200524120000)

FIGURE NO: - 01.07

S. No	Part No	REV	DESCRIPTION	QTY	REMARKS
1	200124200900	A	SLOTTED NUT (DIA-50X2MM) AX130	2	
2	200124201000	D	LOCKING BUSH-DIA-70X51.2X30MM	1	
3	200124201100	A	SPACER DIA 51.8X1.0MM THK.	5	
4	200124201200	A	SPACER DIA 51.8X2.0 THK..	5	
5	200124201400	A	SPACER DIA 46 X 1.	5	
6	200124201500	A	SPACER DIA 46 X 2.	5	
7	200124300100	A	SWING BOOM LOCK FAB. (WT- 5.262 KG)	1	
8	200124401900	B	BOOM FERRFULE. (DIA 16X46.5MM ,	2	
9	200129205100	B	DIPPER BOOM MOUNTING PIN-DIA-60X425MM	1	
10	200129205200	B	BOOM CYLINDER PIN (DIA -50X410MM	1	
11	200129205300	B	BOOM CYLINDER PIN- (DIA 50X432MM	1	
12	200129205500	B	PIN BOOM LOCK- (DIA 29.9X260MM	1	
13	200524320600	B	BOOM MTG PIN FABRICATION (DIA 51X406MM ,	1	
14	200524421000	B	GUN METAL BUSH - DIA 63.3X60X56MM	2	
15	200524421600	C	BOOM GROMMET- DIA -53.5 X39.5 X158MM ,	2	
16	200542320100	A	BOOM TOP ROLLER MTG	2	
17	901101212180	A	BOLT HEX-M12X90,GR 8.8.	1	
18	901101212220	A	BOLT HEX-M12X110,GR 8.8.	1	
19	901101212240	A	BOLT HEX-M12X120,GR 8.8.	2	
20	901101212120	A	BOLT HEX-M10X60,GR 8.8	1	
21	901221200000	A	NYLOCK NUT M12X1.75MM	5	
22	901400600000	A	SPLIT PIN 6.3*75	2	
23	901500812050	A	SCREW HEX M8X25-GR-8.8	2	
24	901600800000	A	PLAIN WASHER M8 (NEW SHEET METAL).	2	
25	901610800000	A	SPRING WASHER B-8.	2	
26	902300200000	A	GREASE NIPPLEL TYPE1/8BSPSURLOCK.	6	
27	200524320500	E	BOOM FABRICATION (WT0 338.282 KG)	1	
28	300193400500	A	GROMMET (DIA 53.5X40X12MM,	4	
29	924631100955	A	BOOM CYLINDER.- (2WD &4WD)	1	

DIPPER ASSEMBLY (200525120000)

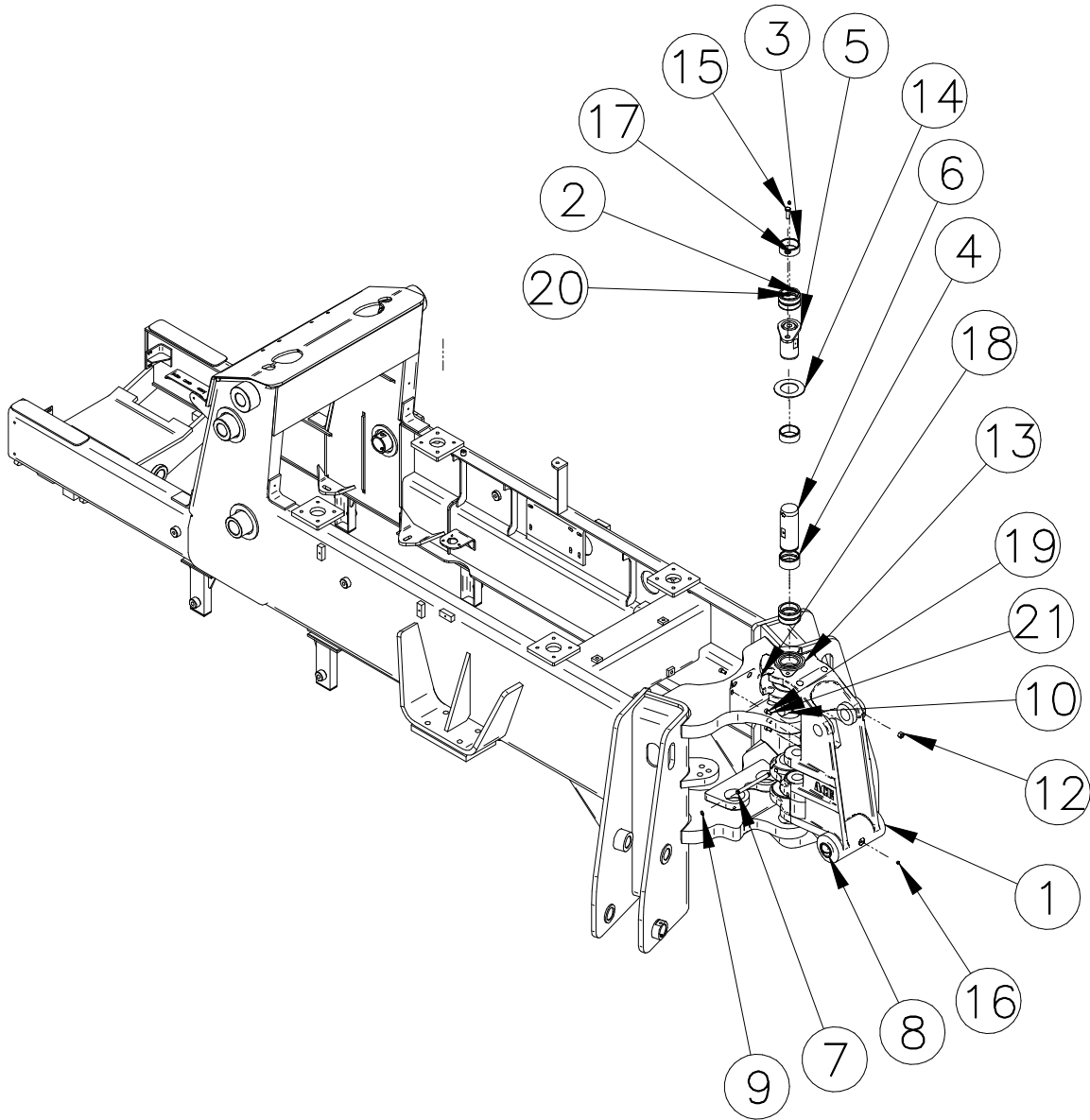
FIGURE NO: - 01.08



S. No	Part No	REV	DESCRIPTION	QTY	REMARKS
1	200527620000	B	LEVER DIPPER (WT- 16.099 KG) AX130	1	
2	200325320100	D	DIPPER FABRICATION	1	
3	200525421400	A	PIN BUCKET CYL.DIPPER (DIA – 45X257MM	1	
4	200527420200	A	BUSH -OD-55,ID-45X48MM	8	
5	200326121500	A	TIPPING LINK FABRICATION	1	
6	200527420100	B	BUSH- OD-70,ID-60X62MM	2	
7	200129202800	B	BUCKET LINK LEVER PIN (DIA 45X300MM,	2	
8	901101012160	A	BOLT HEX-M10X80,GR 8.8.	5	
9	200525219900	A	DIPPER CYL PIN (DIA 45X305MM ,	1	
10	200129202700	B	DIPPER CYLINDER PIN (DIA 45X283MM ,	2	
11	901101012180	A	BOLT HEX-M10X90,GR 8.8.	2	
12	901221000000	A	NUT NYLOCK M10	7	
13	924631000743	A	DIPPER CYL - (2WD &4WD)	1	
14	200347740600	A	EXCAVATOR BUCKET CYLINDER	1	

KING POST ASSEMBLY (200314119900)

FIGURE NO: - 01.09



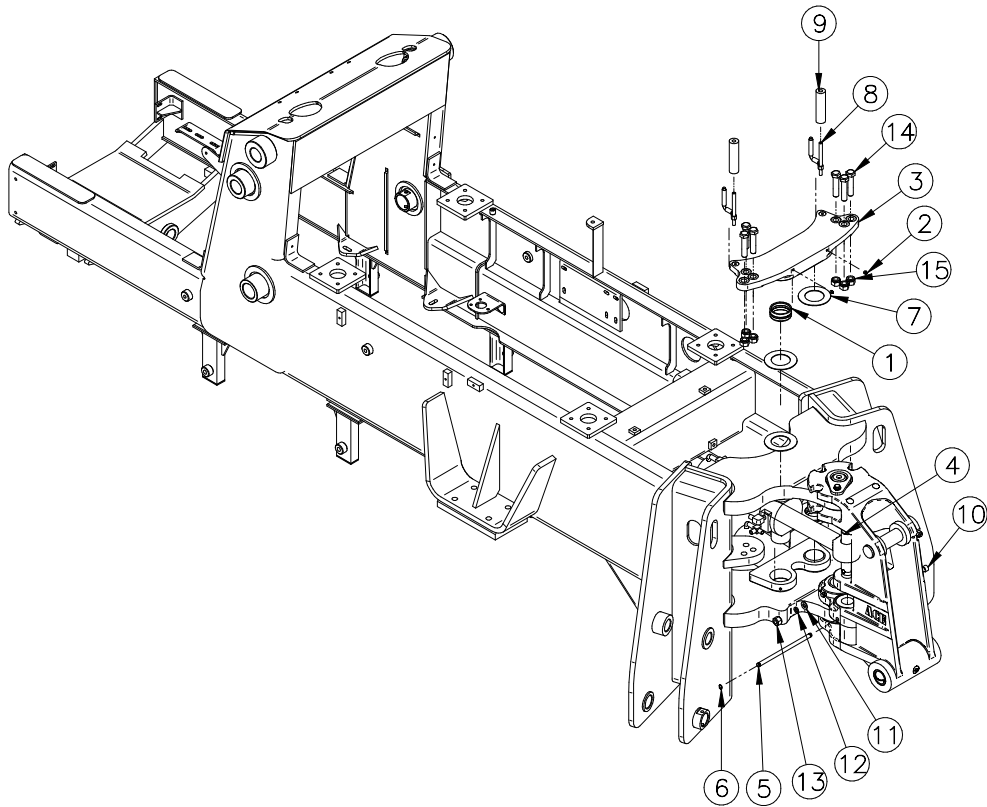
KING POST ASSEMBLY (200314119900)

FIGURE NO: - 01.09

S.NO	PART NO	REV	DESCRIPTION	QTY	REMARKS
1	200114200500	A	KINGPOST MACHINED JMP	1	
2	200113200200	D	BUSH CARRIGE	2	
3	200114200100	C	BUSH (K.P. UPPER)	2	
4	200114200200	B	BUSH (K.P. LOWER)	2	
5	200129300600	D	PIN KING POST(UPPER) FAB	1	
6	200129204400	C	PIN KING POST(LOWER)	1	
7	200129204700	C	PIN KING POST	1	
8	200129200100	A	BUSH	2	
9	930014100100	A	EXTERNAL CIRCLIP	2	ID 12.9x1mm THK
10	200129204900	B	BOOM CYL PIN	1	
11	901101212210	A	BOLT HEX	1	M12x105, Gr - 8.8
12	901221200000	A	NUT NYLOCK	1	M12
13	200113400300	B	SPACING PAD	1	
14	200113400400	B	SPACING PAD	1	
15	901501213080	O	SCREW HEX	1	M12x40, Gr - 10.9
16	901301000000	A	NIPPLE GREASE	3	M10x1
17	901611200000	A	WASHER SPRING	1	M12
18	200514520500	E	HOSE GUIDE MTG PLATE	1	
19	901611000000	A	WASHER SPRING	6	M10
20	901601200000	A	WASHER PLAIN	1	M12
21	901111010040	A	BOLT ALLEN	6	M10x30, Gr - 12.9

SLEW ASSEMBLY (200314120000)

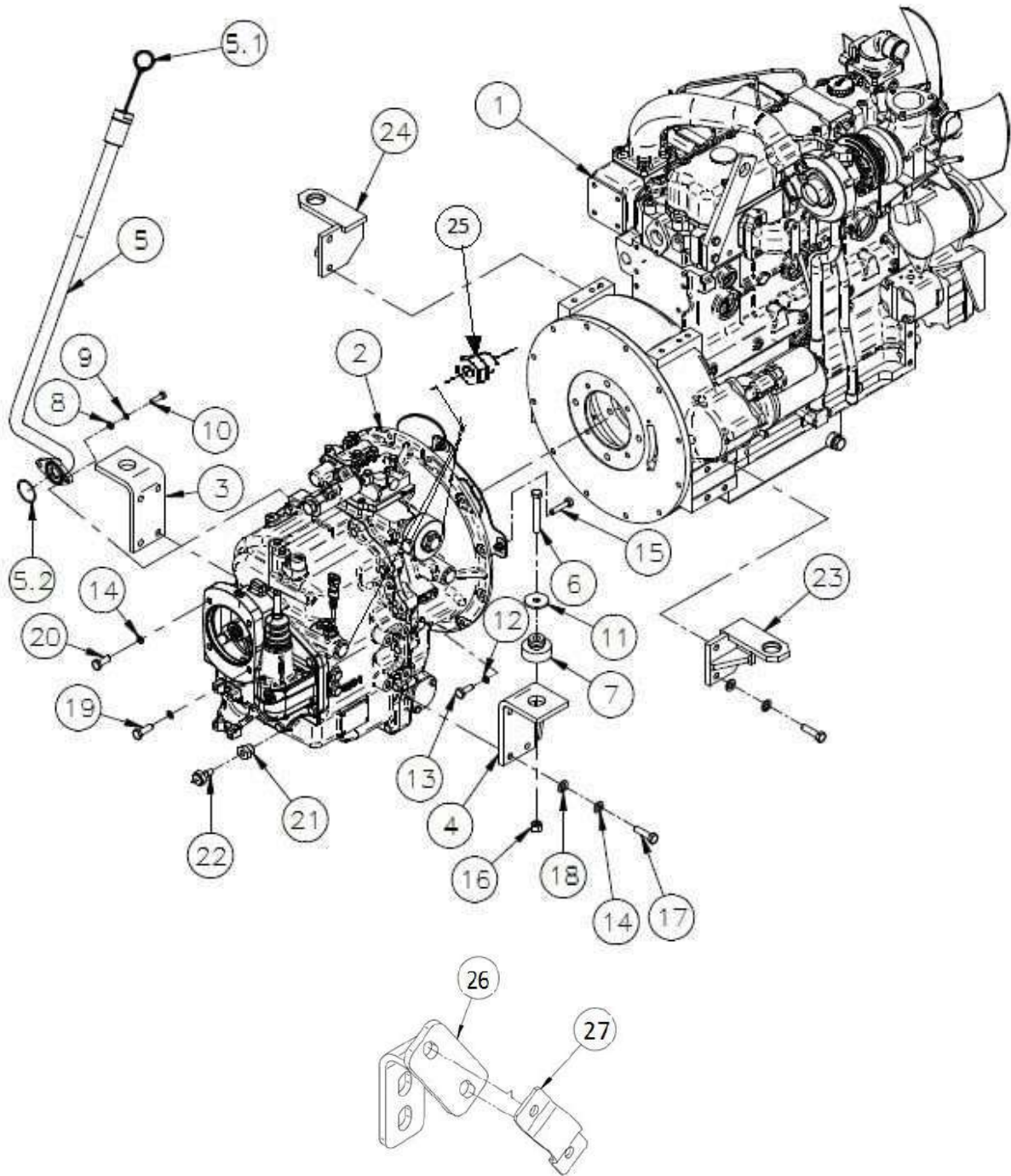
FIGURE NO: - 01.10



S.NO	PART NO	REV	DESCRIPTION	QTY	REMARKS
1	200113200100	B	BUSH (SWING CYL SUPPORT)	4	
2	901301000000	A	NIPPLE GREASE	4	M10x1
3	200113600500	C	KPC CENTRE SUPPORTPLATE	1	
4	200129204500	B	PIN SWING CYL	2	
5	200129204600	C	PIN KING POST	1	
6	930014100100	A	EXTERNAL CIRCLIP	2	ID 12.9x1mm THK
7	200113200600	B	SPACING PAD	4	
8	200314421100	A	KPC HOSE GUIDE ASSY	2	
9	200113400100	B	ROLLER	2	
10	901111410120	A	BOLT ALLEN	1	M14x60, Gr - 12.9
11	901601400000	A	WASHER PLAIN	1	M14
12	901611400000	A	WASHER SPRING	1	M14
13	901221400000	A	NUT NYLOCK	1	M14
14	901102012180	A	BOLT HEX	6	M20x90, Gr - 8.8
15	901222000000	0	NUT NYLOCK	6	M20

ENGINE AND TRANSMISSION ASSEMBLY (200531120300)

FIGURE NO: - 01.11



ENGINE AND TRANSMISSION ASSEMBLY

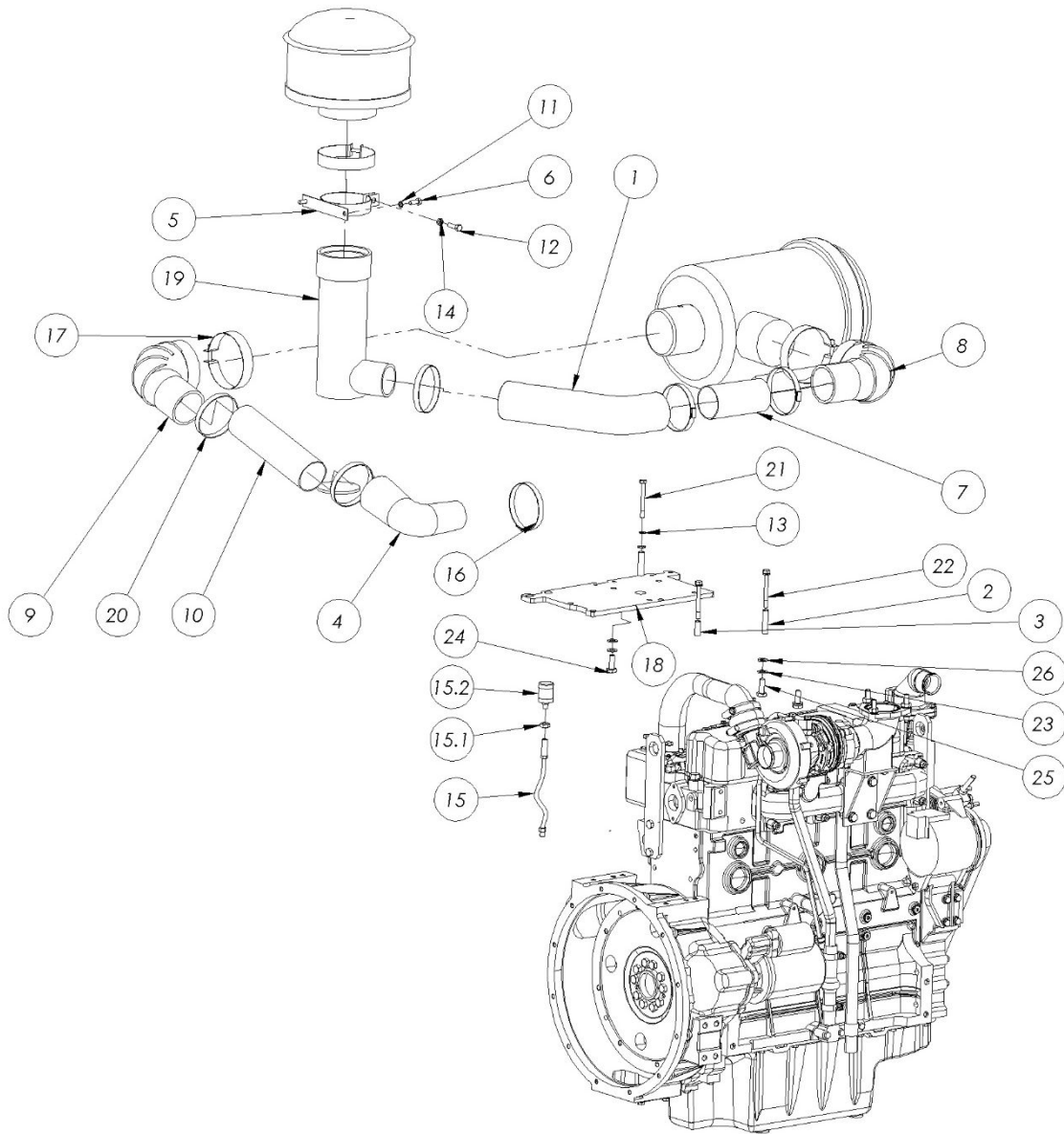
(200531120300)

FIGURE NO: - 01.11

S.	Part No	REV	DESCRIPTION	QTY	REMARKS
1	931500001800	A	ENGINE (BSIII)	1	
2	200383100100	A	TRANSMISSION CARRARO	1	
3	200111301400	A	TRAN SUP BKT ASSLY RHS	1	
4	200111301600	A	TRAN SUP BKT ASSLY LHS	1	
5	200531120100	B	DIPSTICK TUBE ASSY	1	
5.1	200535420100	B	DIPSTICK TRANSMISSION	1	
5.2	935300040000	A	O RING	1	
6	901101212180	A	BOLT HEX	6	
7	940000003300	A	ENGINE MTG PAD	6	
8	901600800000	A	WASHER PLAIN	2	
9	901610800000	A	WASHER SPRING	2	
10	901500812060	A	SCREW HEX	2	
11	200135200300	A	SPECIAL WASHER	12	
12	901611000000	A	WASHER SPRING	12	
13	901501012060	A	SCREW HEX	12	
14	901611200000	A	WASHER SPRING	20	
15	901101012090	A	BOLT HEX	4	
16	901221200000	A	NUT NYLOCK	6	
17	901101212090	A	BOLT HEX	12	
18	901601200000	A	WASHER PLAIN	12	
19	901501233070	A	SCREW HEX	2	
20	901501233060	A	SCREW HEX	2	
21	200545420700	A	ADOPTER TRANSMISSION	1	
22	320146400200	A	TEMPERATURE SENSOR	1	
23	200311439300	A	REAR ENGINE MTG BKT FAB	1	
24	200311439200	A	REAR ENGINE MTG BKT FAB	1	
25	200145203400	B	ADOPTER 7/8" UNF X 1/2".	4	
26	200383319900	B	GEAR BOX DIP STICK BKT	1	
27	260111405900	A	JUNCTION PIPE MTG CLAM	1	
28	200335420400	A	ENGINE FAN-4H.1818.10.0.00	1	

AIR INTAKE ASSEMBLY (200532120300)

FIGURE NO: - 01.12



AIR INTAKE ASSEMBLY

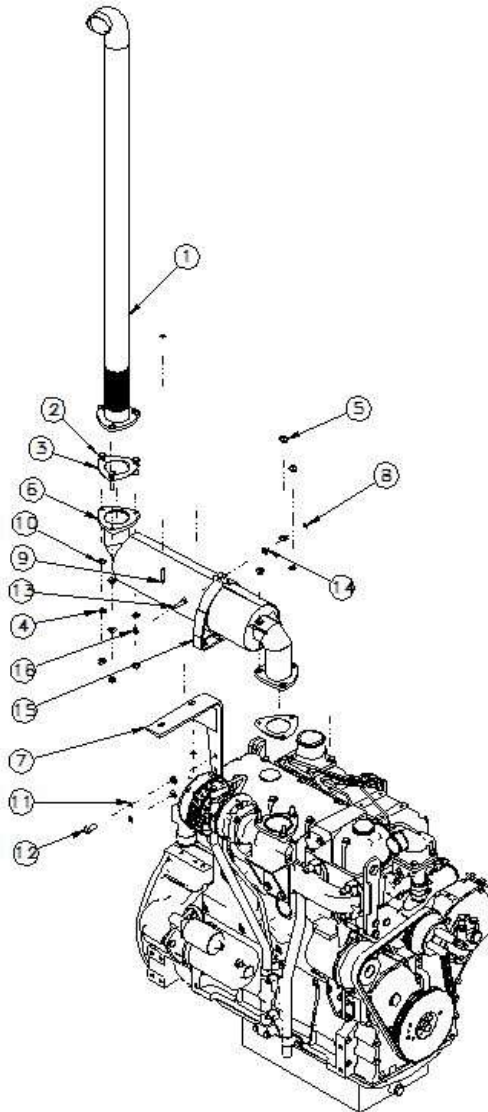
(200532120300)

FIGURE NO: - 01.12

S. No	Part No	REV	DESCRIPTION	QTY	REMARKS
1	200532422300	C	RUBBER PIPE- DIA 80X70X248MM	1	
2	200532421000	B	DISTANCES PIPE- DIA 12X50MM	2	
3	200532421100	B	DISTANCES PIPE- DIA 12X30MM	2	
4	200532421200	C	RUBBER HOSE (DIA 49X130MM	1	
5	200532421500	A	AIR CLENANER PIPE MTG	1	
6	901500812040	A	HEX SCREW M8X20	2	
7	200532422400	A	INLET TUBE- DIA 70X140MM	1	
8	200532423000	B	HOSE FOR AIR CLEANER (INLET)	1	
9	200532423100	A	HOSE FOR AIR CLEANER (OUTLET)	1	
10	200132419900	B	MIDDLE PIPE - DIA 70X250MM	1	
11	901600800000	A	PLAIN WASHER M8 (NEW SHEET METAL).	6	
12	901500812050	A	SCREW HEX M8X25-GR-8.8	2	
13	901610800000	A	SPRING WASHER B-8.	6	
14	901200800000	A	HEX NUT-M8X1.25MM	2	
15	911010056500	C	HOSE-550MM (ST NUT BSP TO ST NUT BSP)	1	
15.1	901201200000	A	NUT HEX M12	1	
15.2	955100004400	A	VACCUMM INDICATOR	1	
16	955402500000	A	HOSE CLAMP2.5"	2	
17	955401101300	A	WORM DRIVE CLAMP -SIZE -130A	2	
18	200563457900	H	AIR CLEARNER MTG PLATE	1	
19	200533423900	A	AIR CLEANER MTG PIPE ,	1	
20	955400801000	A	HOSE CLAMP 4" (955400801000)	5	
21	901100812150	A	BOLT-HEX-M8X75,GR8.8	3	
22	901100812130	A	BOLT HEX-M8X65,GR 8.8	1	
23	901601000000	A	WASHER PLAIN M10-2 MM	6	
24	901101012090	A	BOLT HEX-M10X45,GR 8.8.	1	
25	901501012060	A	SCREW HEX M10X30-GR 8.8	4	
26	901611000000	A	SPRING WASHER B-10	4	

EXHAUST ASSEMBLY (OPTIONAL) (200333120500)

FIGURE NO: - 01.13



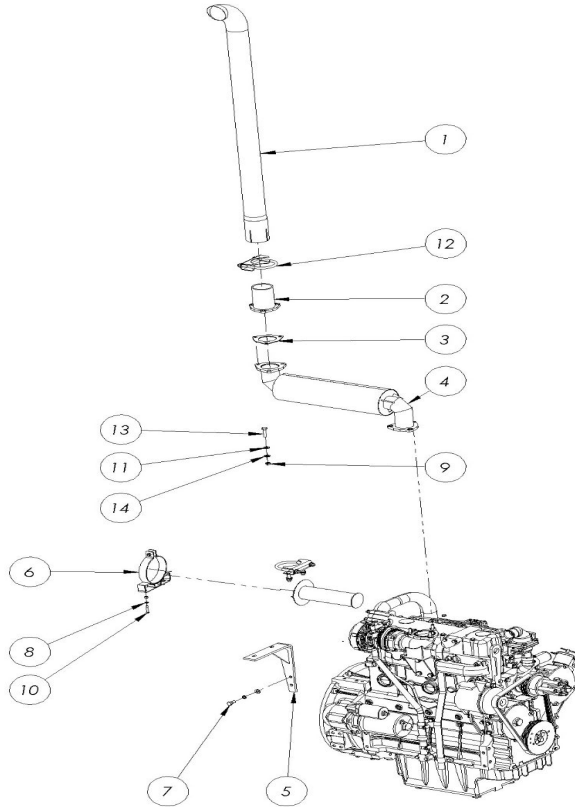
EXHAUST ASSEMBLY (OPTIONAL)
(200333120500)

FIGURE NO: - 01.13

S.NO	PART NO	RE V	DESCRIPTION	QTY	REMARKS
1	200333320900	A	TAIL PIPE WITH FLANGE FAB.	1	
2	901501012080	A	SCREW HEX	3	M10x40, Gr - 8.8
3	200533421200	A	EXHAUST GASKET	2	
4	901611000000	A	WASHER SPRING	6	M10
5	901201000000	A	NUT HEX	6	M10
6	200533320500	A	SILENCER FAB.	1	
7	200533320100	B	SILENCER SUPPORT FAB.	1	
8	901610800000	A	WASHER SPRING	3	M8
9	901100612070	A	BOLT HEX	2	M6x35, Gr - 8.8
10	901601000000	A	WASHER PLAIN	5	M10
11	901611000000	A	WASHER SPRING	2	M10
12	901101012050	A	BOLT HEX	2	M10x25, Gr - 8.8
13	901100812070	A	BOLT HEX	1	M8x35, Gr - 8.8
14	901600800000	A	WASHER PLAIN	1	M8
15	200333319900	B	SILENCER FAB.	1	
16	901200800000	A	NUT HEX	1	M8X1.25

EXHAUST ASSEMBLY (200533120100)

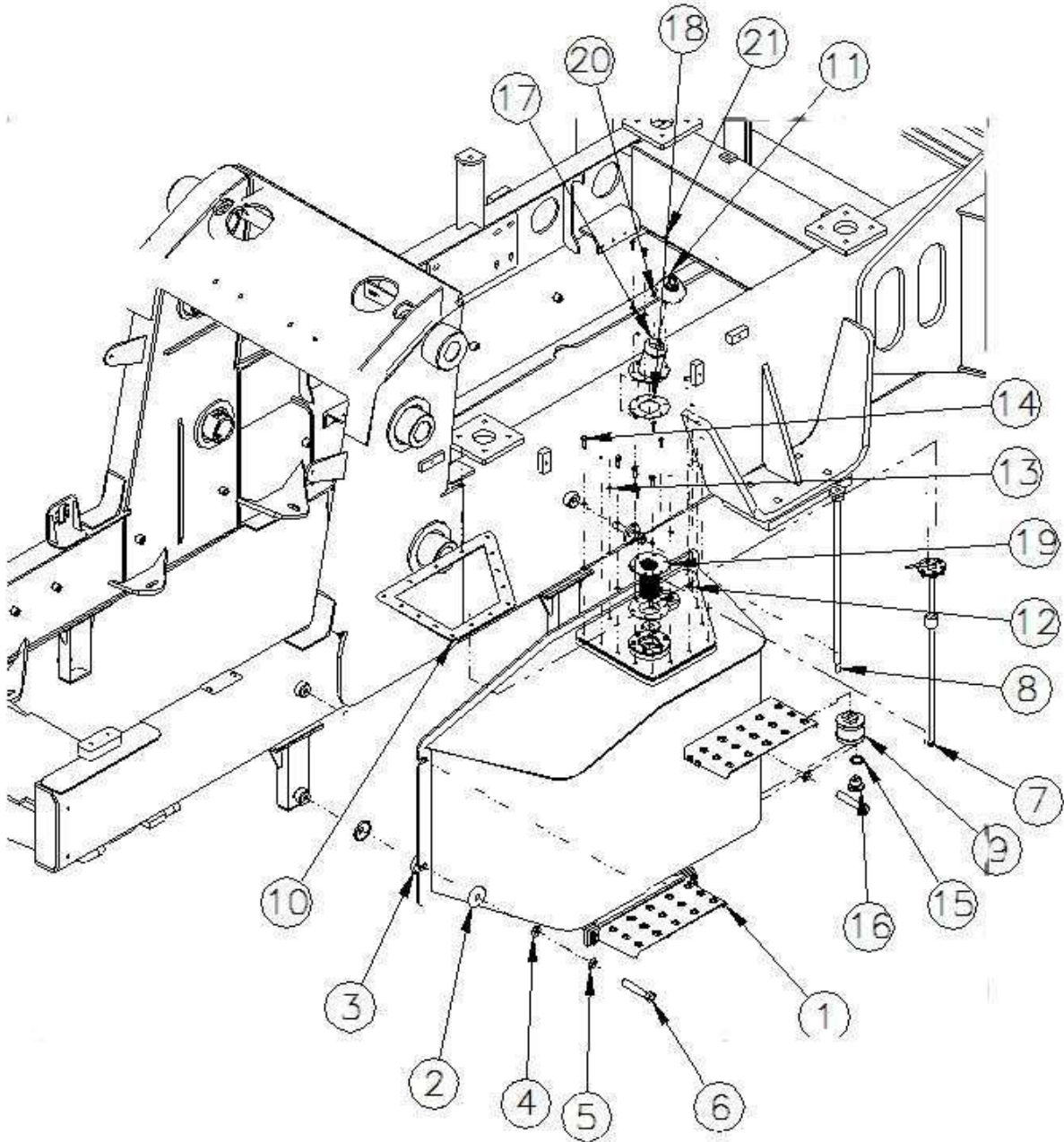
FIGURE NO: - 01.13



S. No	Part No	REV	DESCRIPTION	QTY	REMARKS
1	955200003200	A	SILENCER TURBO PIPE	1	
2	200432300200	D	ADOPTER EXHAUST FABRICATION	1	
3	200533421200	A	EXHAUST GASKET- DIA 64X48X2.2MM	2	
4	200533320500	B	SILENCER FAB-AX130-NEW	1	
5	200533320100	B	SILENCER SUPPORT FAB-225X260X8MM	1	
6	200133119900	A	SILENCER MTG BRACKET ASSY-NEW	1	
7	901501012060	A	SCREW HEX M10X30-GR 8.8 ..	2	
8	901610800000	A	SPRING WASHER B-8.	2	
9	901221000000	A	NUT NYLOCK M10	3	
10	901500812050	A	SCREW HEX M8X25-GR-8.8	2	
11	901600800000	A	PLAIN WASHER M8 (NEW SHEET METAL).	2	
12	101533121200	A	U CLAMP ASSY ROD DIA-10MM ,L=124.5MM	2	
13	901101012090	A	BOLT HEX-M10X45,GR 8.8.	4	
14	901611000000	A	SPRING WASHER B-10	7	

FUEL TANK ASSEMBLY (200315020000)

FIGURE NO: - 01.14

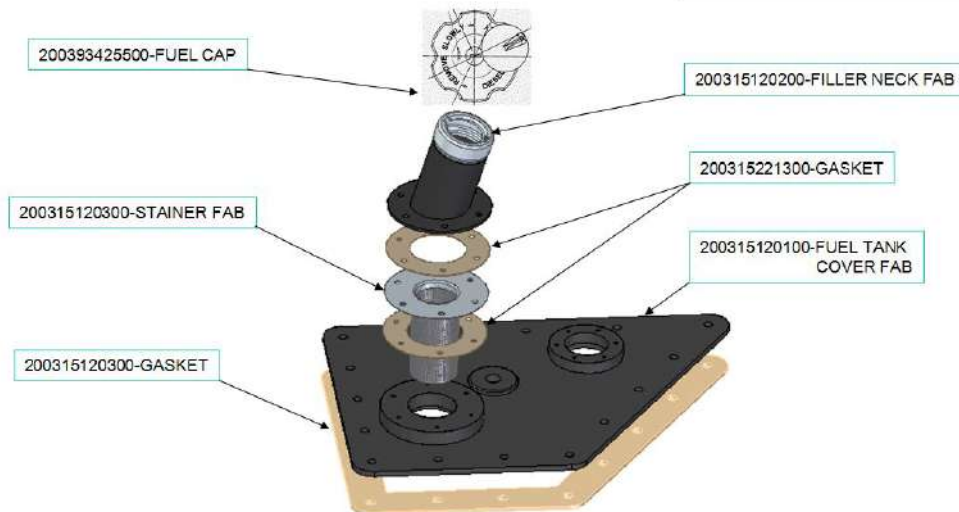


FUEL TANK ASSEMBLY (200315020000)

FIGURE NO: - 01.14

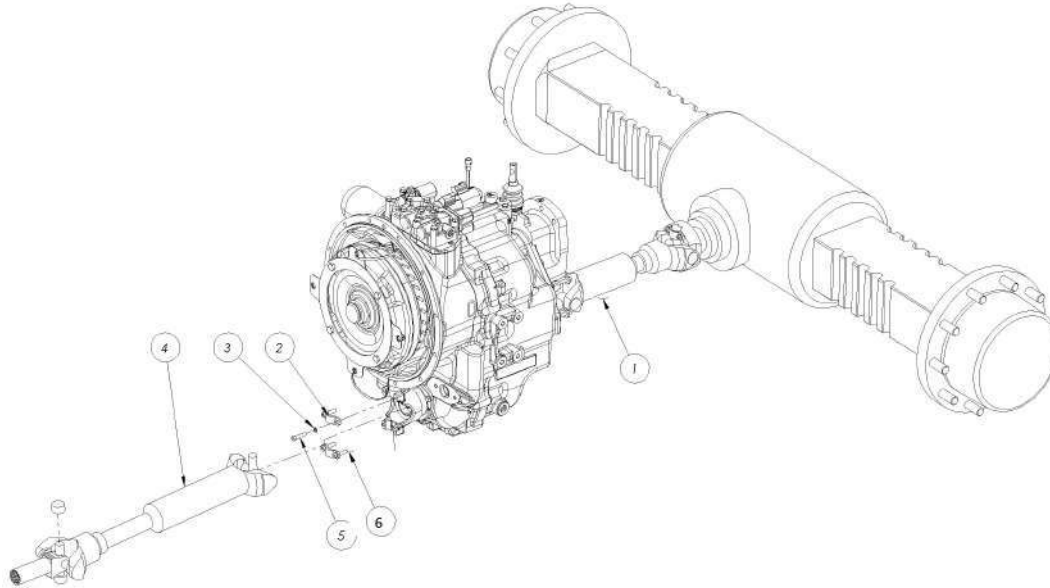
S.NO	PART NO	REV	DESCRIPTION	QTY	COMMENTS
1	200315019900	I	FUEL TANK SUB ASSY	1	
2	940000002100	A	RUBBER MOUNT CAP	8	
3	940000002000	A	RUBBER MOUNT	4	
4	901601600000	A	WASHER PLAIN M16	4	M16
5	901611600000	A	WASHER SPRING M16	4	M16
6	901101612180	A	BOLT HEX M16x90.	4	M16x90, Gr - 8.8
7	200371420450	A	FUEL LEVEL SENSOR	1	
8	200334319900	A	FUEL SUCTION PIPE FAB	1	
9	922200003500	A	GAMMA BSIV	1	
10	200546422500	C	GASKET	1	
11	200534421300	A	FUEL CAP	1	
12	901600800000	A	WASHER PLAIN	15	M8
13	901610800000	A	WASHER SPRING	15	M8
14	901500812050	A	SCREW HEX	15	M8x25, Gr - 8.8
15	200145400600	A	DOWTY SEAL	1	3/4" BSP
16	300135401000	A	MAGNETIC PLUG	1	3/4" BSP
17	200315120200	A	FUEL NECK FAB	1	
18	200315221300	B	GASKET	2	
19	200315120300	A	STAINER FAB	1	
20	901610500000	A	WASHER SPRING	6	M5
21	901500512040	A	SCREW HEX	6	M5x20, Gr - 8.8

NEW UPDATED FUEL TANK COVER WITH FUEL FILLER & FUEL CAP



PROPELLER SHAFT ASSEMBLY (200586120100)

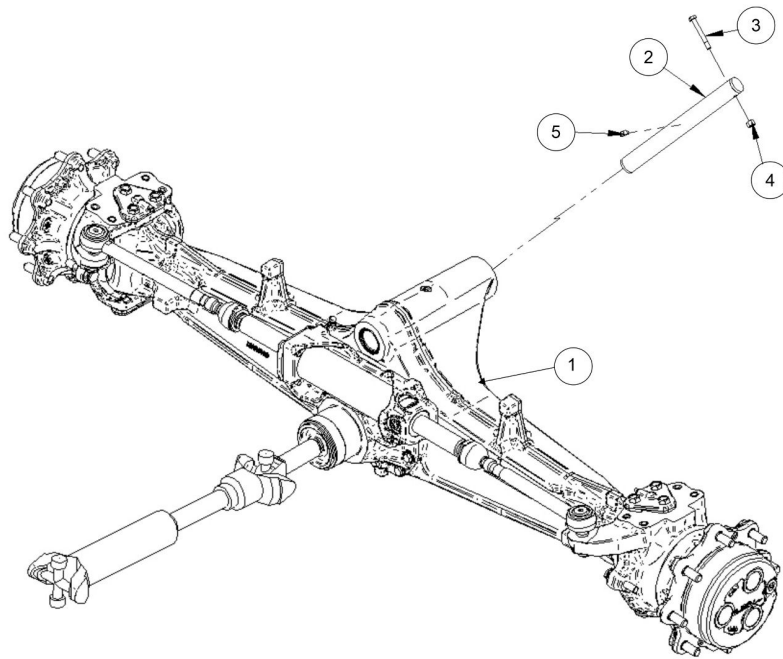
FIGURE NO: - 01.15



S. No	Part No	REV	DESCRIPTION	QTY	REMARKS
1	200586400100	A	PROPELLER SHAFT SKU	1	
2	200186400300	A	U-CLAMP PROPELLER SHAFT	4	
3	901610800000	A	SPRING WASHER B -8.	12	
4	200386400100	B	FRONT AXLE PROP. SHAFT	1	
5	902510520100	A	SCREW ALLEN 5/16 UNF x 1-1/4" LG	4	
6	902510520200	A	ALLEN SCREW 5/16-24 UNF -2B X1" LG	8	

FRONT AXLE ASSEMBLY (4WD) (200581120100)

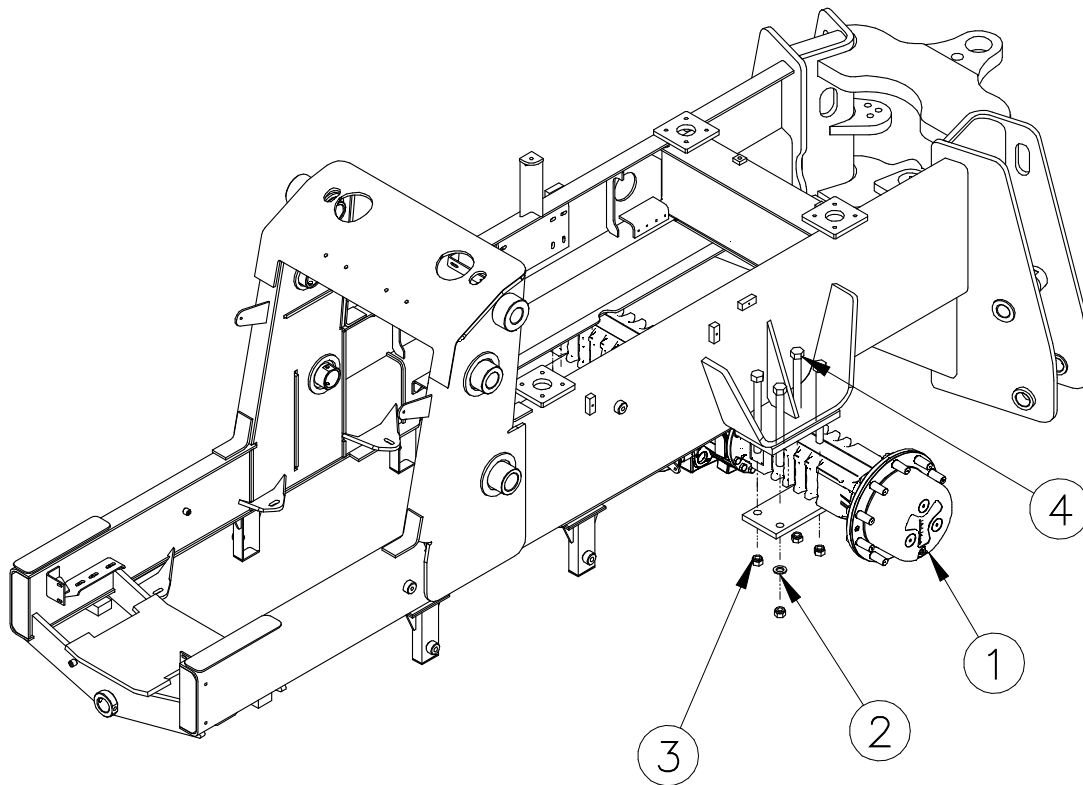
FIGURE NO: - 01.16



S. No	Part No	REV	DESCRIPTION	QTY	REMARKS
1	932100000600	A	FRONT AXLE - MS2 1920	1	
2	200181202400	A	FRONT AXLE MTG PIN.	1	
3	901101212200	A	BOLT HEX-M12X100,GR 8.8.	1	
4	901221200000	A	NYLOCK NUT M12X1.75MM	1	
5	200181202600	A	GREASE ADOPTER- DIA 7/16-20UNF-2B	2	
6	200534420700	A	GREASE HOSE-SWIVEL NUT-M10X1	1	

REAR AXLE ASSEMBLY (200581119900)

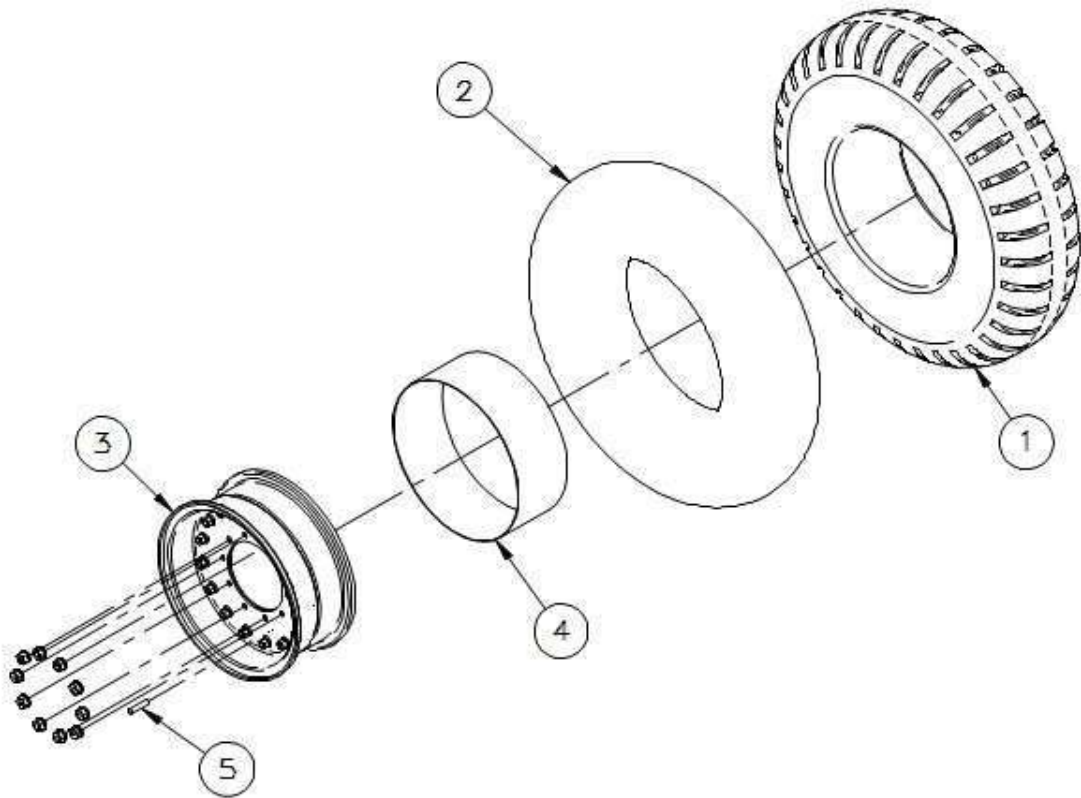
FIGURE NO: - 01.17



S. No	Part No	REV	DESCRIPTION	QTY	REMARKS
1	932100003800	A	REAR AXLE – (CA395100S – CARRARO)	1	
2	901612000000	A	SPRING WASHER M 20	8	
3	901222000000	A	NUT NYLOCK M20(901222000000)	8	
4	901102013600	A	BOLT HEX-M20X300,GR10.9	8	

TYRE ASSEMBLY (14X25) (200528120700)

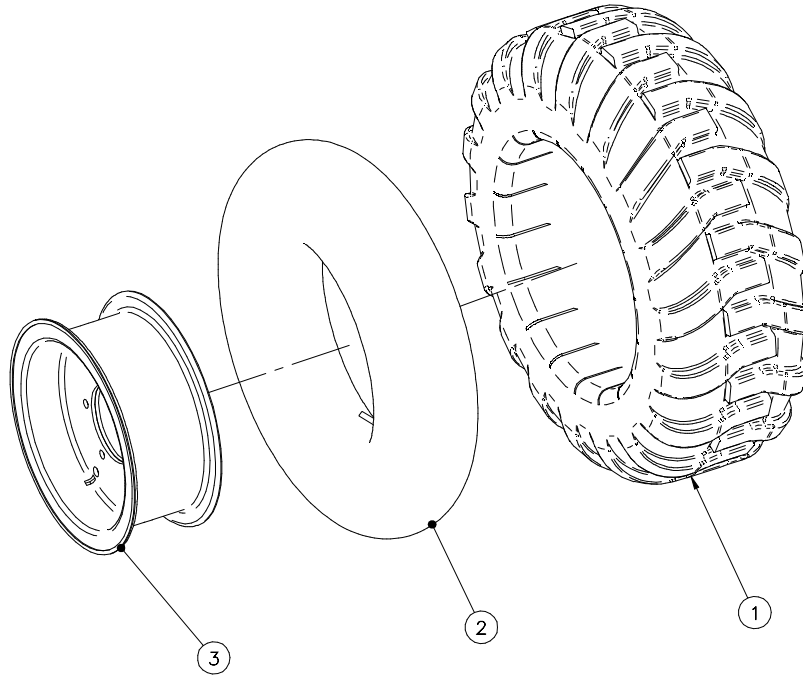
FIGURE NO: - 01.18



S. No	Part No	REV	DESCRIPTION	QTY	REMARKS
1	960100001900	A	REAR TYRE-14.00X25-12PR	2	
2	960200000400	A	TUBE-14.00-24/25 (TRJ 1175/ 4222)	2	
3	960400001600	A	RIM 14.00X25 TYRE (10 HOLE FOR AL AXLE)	2	
4	960300000200	A	FLAP-14.00-25(T)	2	
5	960900000100	A	AIR NOZZLE	1	

TYRE ASSEMBLY (16.9X28) (200528120600)

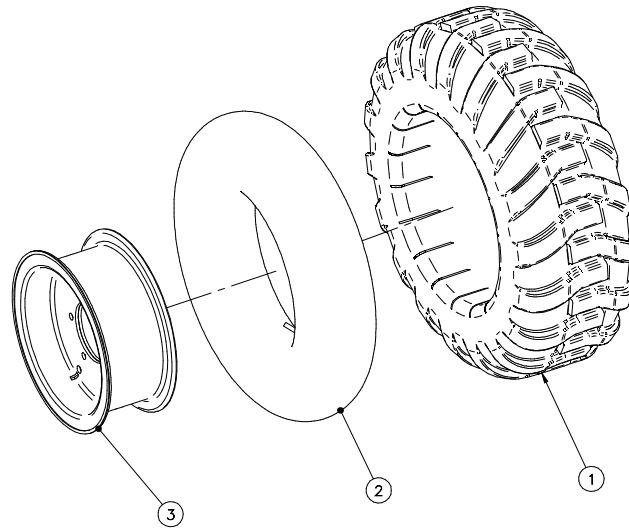
FIGURE NO: - 01.19



S. No	Part No	REV	DESCRIPTION	QTY	REMARKS
1	960100000700	A	TYRE-16.9-28 12 PR	2	
2	960200000600	A	TUBE-16.9-28 (TR218A)	2	
3	960400000400	A	WHEEL RIM 16.9X28	2	

TYRE ASSEMBLY (12.5/80 x 18) (200582120500)

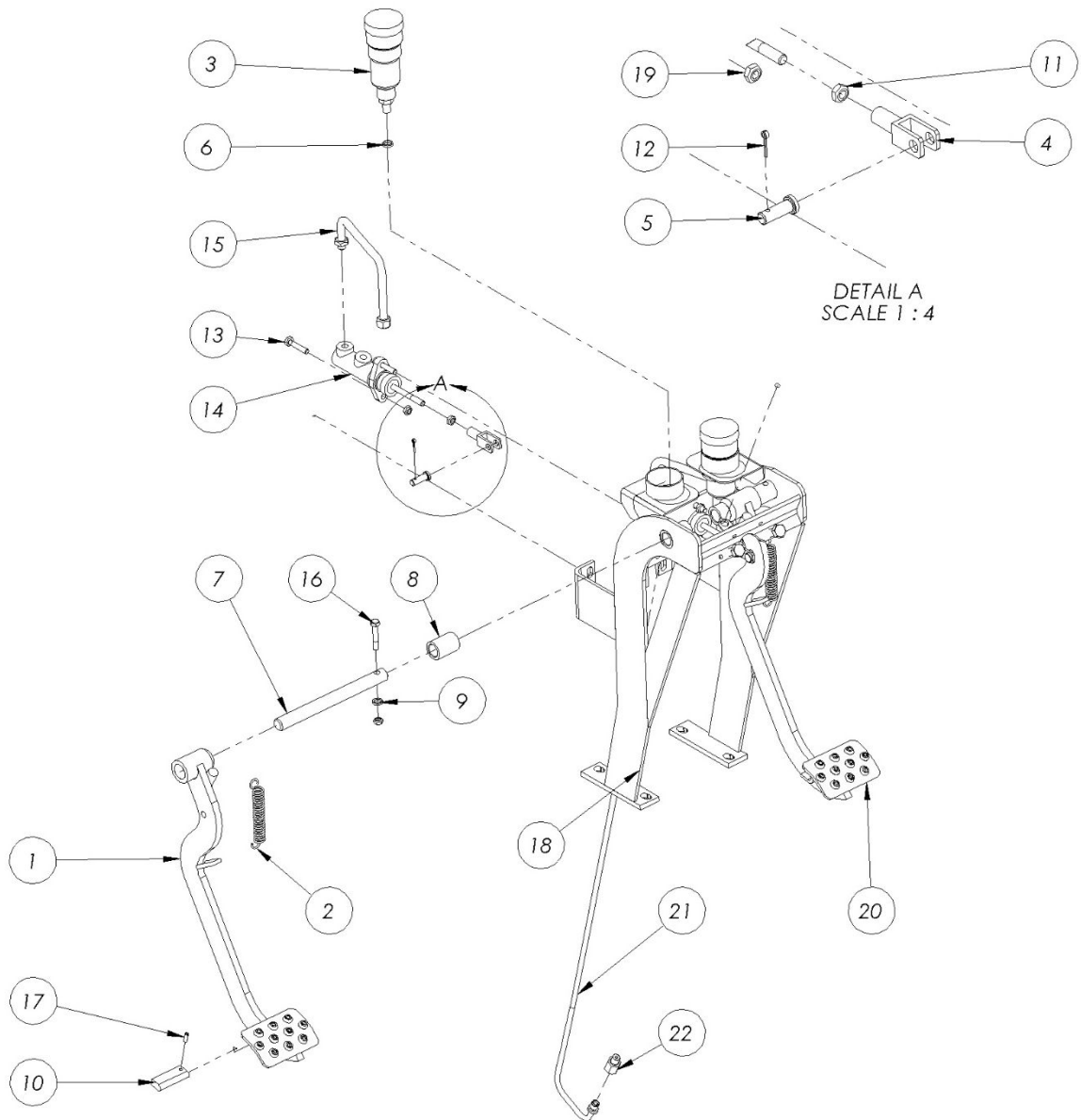
FIGURE NO: - 01.20



S. No	Part No	REV	DESCRIPTION	QTY	REMARKS
1	960100000500	A	TYRE- 12.5/80-18 12 PR BKT AT 621 TT	2	
2	960200000300	A	TUBE-12.5/80-18 (TR-15)	2	
3	960400000300	A	WHEEL RIM 12.5X80-18 CARRARO	2	

BRAKE LINKAGE ASSEMBLY (200554100200)

FIGURE NO: - 01.21



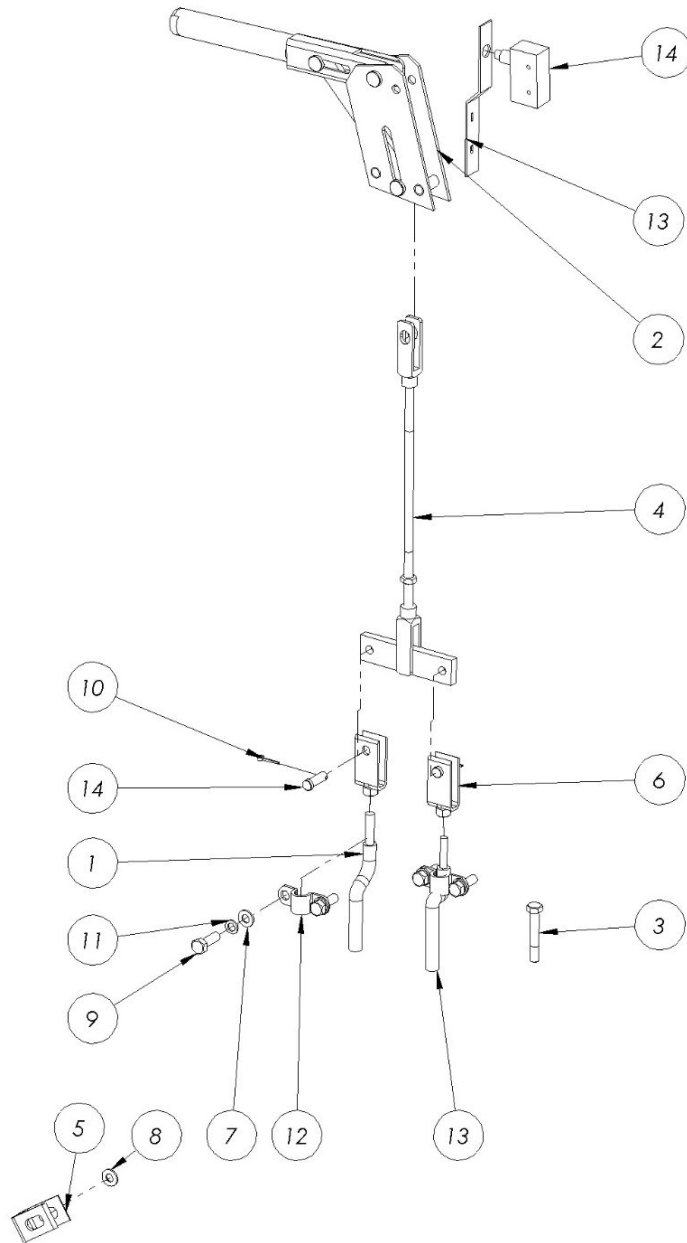
BRAKE LINKAGE ASSEMBLY (200554100200)

FIGURE NO: - 01.21

S. No	Part No	REV	DESCRIPTION	QTY	REMARKS
1	200354319900	C	BRAKE PPEDAL FAB. RHS.	1	
2	200154400600	A	SPRING BRAKE PEDAL, DIA-30X92MM (WT- 0.043 KG)	2	
3	200154400700	A	BOWL FOR MASTER CYLINDER (200154400700)	2	
4	200154201200	C	FORK MASTER CYLINDER.	2	
4A	200154201300	A	FORK FAB (BIG)	2	
5	200141200600	A	PIN CV FORK-DIA-15X9.9X33MM (WT-0.022 KG)	2	
6	200145400200	A	DOWTY SEAL 1/4" BSP - (200145400200)	2	
7	200129205400	C	TENSION PIN (338X19.8)	1	
8	200129202200	A	SELF LUBRICATING BUSH (BRAKE PEDAL)	4	
9	901610600000	A	SPRING WASHER B-6.	1	
10	200154400800	A	PEDAL LOCK PLATE- 60X21X10MM	1	
11	901220800000	A	NYLOCK NUT 8MM (NEW SHEET METAL)	4	
12	901400200000	A	PIN SPLIT-M2	2	
13	901500812060	A	SCREW HEX M8X30-GR-8.8.	4	
14	927000032600	A	MASTER CYLINDER-6300000- AX130	2	
15	200554421800	C	FLEXIBLE HOSE (M12X1 WITH SWIVEL	2	
16	901540612800	A	CHEESE HEAD SCREW-M6X40.	1	
17	901700560000	A	PIN DOWEL DIA 5.6	1	
18	200563479300	F	BRAKE FRAME FAB.	1	
19	901200600000	A	HEX NUT-M6	2	
20	200354320000	C	BRAKE PPEDAL FAB. LHS.	1	
21	200154400200	A	BUNDY PIPE 80"	2	
22	200145203600	C	ADOPTER 7/16-20 UNF X (12X1) (REAR AXLE) AX130	2	

PARKING BRAKE ASSEMBLY (200554119900)

FIGURE NO: - 01.22



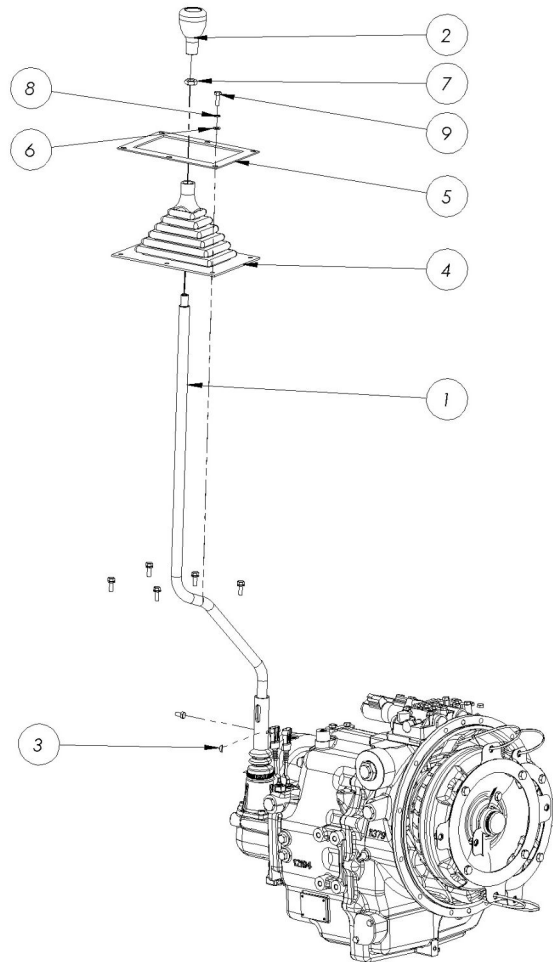
PARKING BRAKE ASSEMBLY (200554119900)

FIGURE NO: - 01.22

S. No	Part No	REV	DESCRIPTION	QTY	REMARKS
1	200154400400	B	PARKING CABLE-RH	1	
2	200154400100	A	PARKING HAND BRAKE LEVER	1	
3	901100812100	A	BOLT HEX-M8X50,GR 8.8 (901100812100)	2	
4	200554121000	A	PARKING BRAKE ROD ASSY L=230MM	1	
5	200554421700	A	AXLE FORK FABRICATION - 53X25 MM WITH 3/8-24 UNF NUT	1	
6	200154201400	B	FORK FAB (SMALL-50X25X21.5MM,WT- 0.060 KG-WITH 5/16 UNF NUT)AX124	1	
7	901600800000	A	PLAIN WASHER M8 (NEW SHEET METAL).	4	
8	901601000000	A	WASHER PLAIN M10-2 MM	1	
9	901500812050	A	SCREW HEX M8X25-GR-8.8	2	
10	901400200000	A	PIN SPLIT-M2	2	
11	901610800000	A	SPRING WASHER B-8.	2	
12	200154201100	A	BRAKE CABLE CLAMP.	1	
13	200563476400	B	PARKING SWITCH BRACKET-209X30X4M	1	
14	943300001800	B	MICRO SWITCH- MBCU-102- (ASD110	2	

GEAR SHIFTING ASSEMBLY (200553120200)

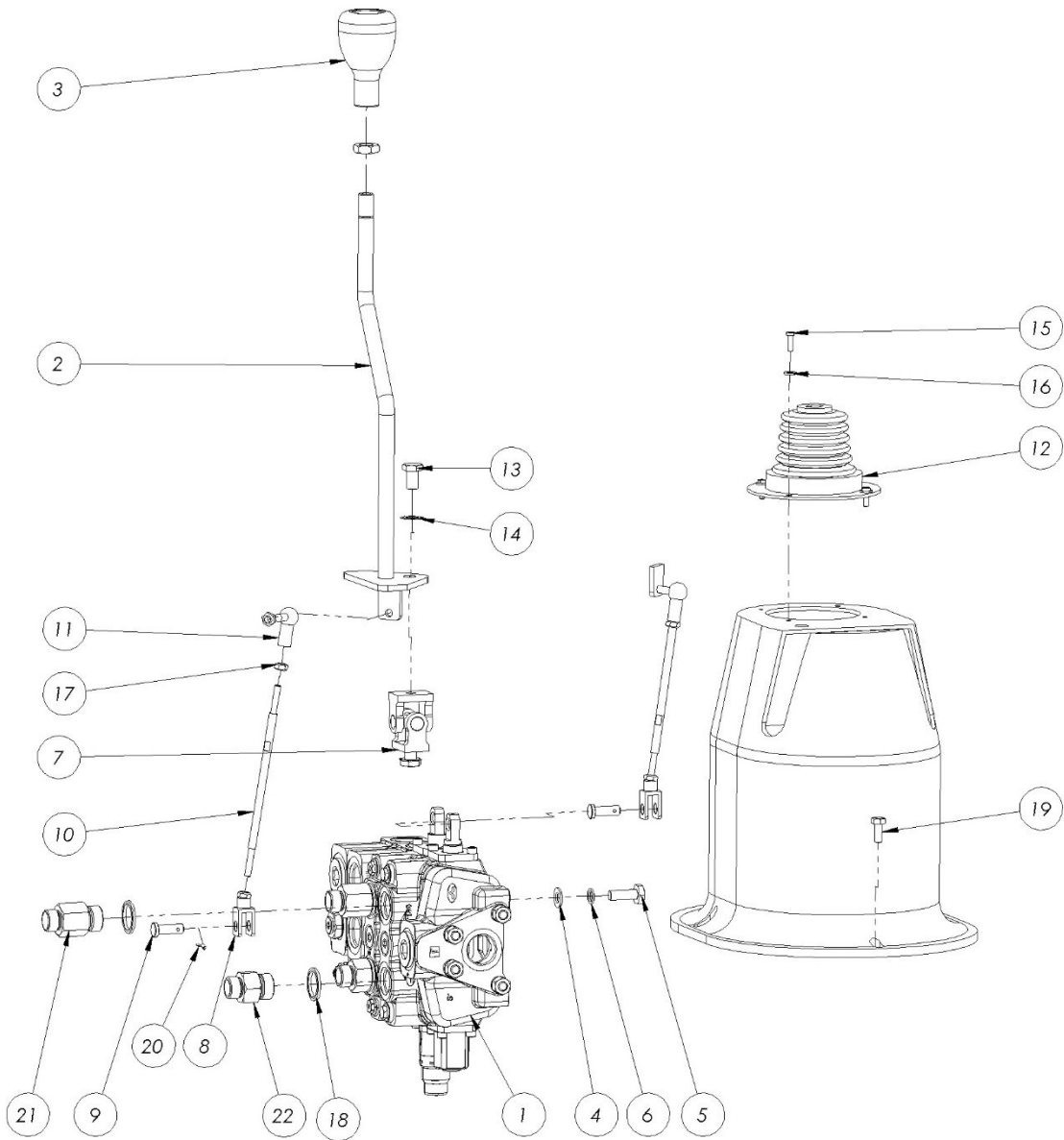
FIGURE NO: - 01.23



S. No	Part No	REV	DESCRIPTION	QTY	REMARKS
1	200553319900	A	GEAR CHANGE LEVER FAB,L= 1070MM	1	
2	200541422300	A	SINGLE KNOB SWITCH	1	
3	200553420000	A	WOOD RUFF KEY-4MM (WT-0.0002) AX130	1	
4	200593423600	A	RUBBER BOOT (L=125X4MM-WT- 0.727 KG)	1	
5	200553429000	A	BOOT COVER PLATE-260X175X3MM	1	
6	901600800000	A	PLAIN WASHER M8 (NEW SHEET METAL).	6	
7	901201600000	A	HEX NUT-M16 901201600000	1	
8	901610800000	A	SPRING WASHER B-8.	6	
9	901500812050	A	SCREW HEX M8X25-GR-8.8	7	

LOADER CONTROL VALVE ASSEMBLY (200541121200)

FIGURE NO: - 01.24



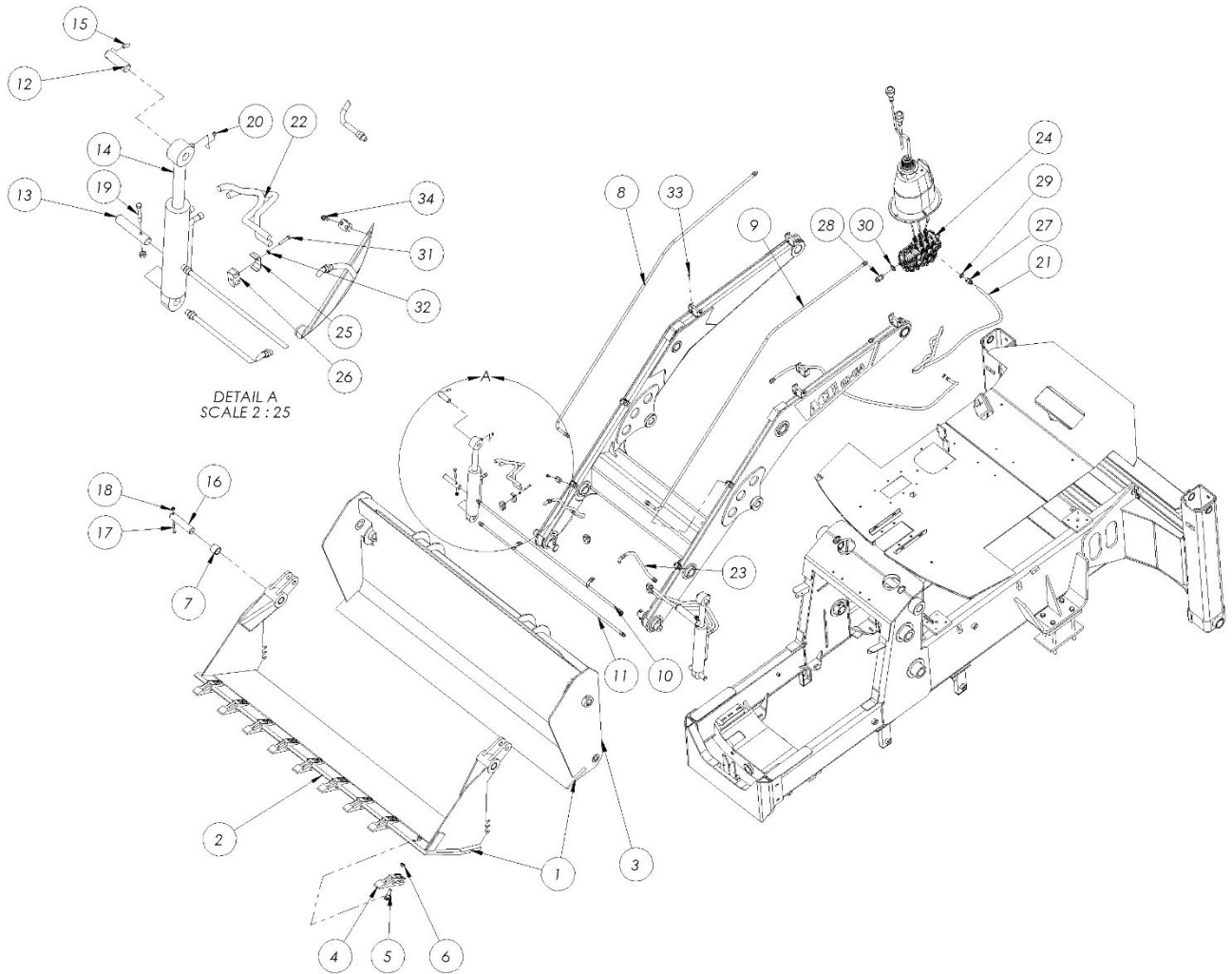
LOADER CONTROL VALVE ASSEMBLY (200541121200)

FIGURE NO: - 01.24

S. No	Part No	REV	DESCRIPTION	QTY	REMARKS
1	923200004500	A	SPACER20X34X4 SDS180	4	3ANE134040-H
2	923200004600	A	CONTROL KIT BUSH SD8-V8/S10	2	3BOC129180-H
3	923200001100	A	SPOOL 1D/SDS180	1	3CU2510210-H
4	923200001800	A	CURSORE 5(13MD)/SDS180-SD1	1	3CU2541200-H
5	923200004700	A	ELEMENTO/SDS180-BSP	1	3EL1183000-H
6	923200004800	A	ELEMENTO SDS180/PH5-BSP/ED	1	3EL1183260-H
7	923200004900	A	SDS180/FE-BSP,INLET COVER	1	3FIA118301-H
8	923200005000	A	FIANCATA FS-H/SDS180-BSP	1	3FIA218300-H
9	923200005100	A	FLANGIA-FLANGE S10 ZAMA	2	3FLA141075-H
10	923200005200	A	VEERS.08/S10 TYPE A SPRING	1	3MOL430540
11	923200005300	A	TIE ROD SDS 180/2 -M10X224	4	3TIR110224-H
12	923200005400	A	SCREW V08-S10 M8	1	3VIT116300-H
13	923200004100	A	NUT ALTO UNI-5587/M10-8.8ZN	8	4DAD110125-H
14	923200005500	A	18.72X2.62 VITON 75 SH O-RING	15	4GUA418726
15	923200001700	A	20.22X3.53 VITON 75 SH O-RING	4	4GUA420235
16	923200005600	A	34.60X2.62 VITON 75 SH O-RING	3	4GUA434626
17	923200005700	A	20X5 SEAL	2	4PAR220050
18	923200004200	A	SPRING WASHER M10	8	4ROS310522-H
19	923200005800	A	DIN-906 M18X1.5 CONICAL PLUG	1	4TAP318010
20	923200005900	A	VITE TCEI UNI-5931 M6X14,8.8ZN	4	4VIT606014
21	923200006000	A	M6X14 8.8,END CAP SIDE SCREW	4	4VIT606014-H
22	923200001600	A	VR/SD16-FPM KIT-SDS180	2	5KIT016100-H
23	923200002500	A	VALVOLA UX(G-160)/SD16-SD25 (ARV)	1	X011411160
24	923200006100	A	KIT CAPELLOTTO V11BKMD-13KMD/S10	1	XCAP410828
25	923200006200	A	S10 END CAP KIT	1	XCAP480510
26	923200001000	A	VALVOLA VMP 20/1 (MRV)	1	XCAR120313
27	923200001300	A	U(G4-200)/SD16-SD25 (ARV)	1	XCAR316114
28	923200006300	A	M/F G3/4 -G1/4 JOINT	1	XGIU632280
29	923200006400	A	KIT POSIZIONATORE COMANDO	1	XPER118680
30	923200006500	A	P3T/SD16-SDS180-SD25 PLUG	2	YTAP528361-H
31	923200006600	A	PLUG ASSY SV/VMP20VITON	1	YTAP535411-H
32	923200006700	A	HSH BSP 1/43 PLUG	1	YTAP719150-H
33	923200008100	A	BSP1 FPM PLUG	1	YTAP740220-H
34	923200009600	A	LOADER-VALVE-INLET-SECTIO-COMplete	1	618201019
35	923200004400	A	LOADER BUCKET SECTION	1	618101012
36	923200002000	A	LOADER OUTLET SECTION	1	618301006
37	923200002100	A	SEAL-KIT-FOR-LOADER-VALVE-BLOCK-COMplete	1	5GD18200019
38	923200004300	A	LOADER BOOM SECTION	1	618101013

LOADER CONTROL VALVE ASSEMBLY 6 IN 1 (200541121200)

FIGURE NO: - 01.25



LOADER CONTROL VALVE ASSEMBLY 6 IN 1 (200541121200)

FIGURE NO: - 01.25

S. No	Part No	REV	DESCRIPTION	QTY	REMARKS
1	200522122200	C	6IN 1 BUCKET SUB ASSY	1	
2	200522322500	A	FRONT FAB 6IN 1 BUCKET	1	
3	200522322400	C	REAR FAB 6 IN 1 BUCKET ASSY	1	
4	200128600100	A	TOOTH	9	
5	200526419900	A	PLOUGH BOLT	18	
6	902201223000	A	NUT HEX 3/4" UNF	18	
7	200527420200	A	BUSH	4	
8	200522433110	A	FEED PIPE OUTER 6 IN 1 BUCKET RH	1	
9	200522433210	A	FEED PIPE OUTER 6 IN 1 BUCKET LH	1	
10	200522433320	A	6IN1 BUCKET TUBE UPPER	1	
11	200522433310	A	6IN1 BUCKET TUBE LOWER	1	
12	200129205700	B	PIN ROD SIDE DIA.29.9X100 MM 6IN 1 BUCKET	2	
13	200129205800	A	PIN HEAD SIDE 6IN 1 BUCKET	2	
14	924400700191	A	HYD.CYLINDER	2	
15	901521012600	A	SCREW GRUB M10X30	2	
16	200129204100	A	PIN HSHOVEL	6	
17	901101012180	A	BOLT HEX M10X90 Gr 8.8	2	
18	901221000000	A	NUT NYLOCK M10	8	
19	901101012150	A	BOLT HEX M10X75 Gr 8.8	6	
20	902300200000	A	GREASE NIPPLE TYPE 1/8 BSP SURLOCK	8	
21	911002122300	A	HOSE 2300 MM	2	
22	911202120700	A	HOSE 1/2" BSP TO 1/2" BSP ST. TO 90 L700 MM	4	
23	911202120950	A	HOSE 1/2" BSP TO 1/2" BSP ST. TO 90 L950 MM	2	
24	923000015500	A	CONTRLO VALVE -3SPOOL	1	

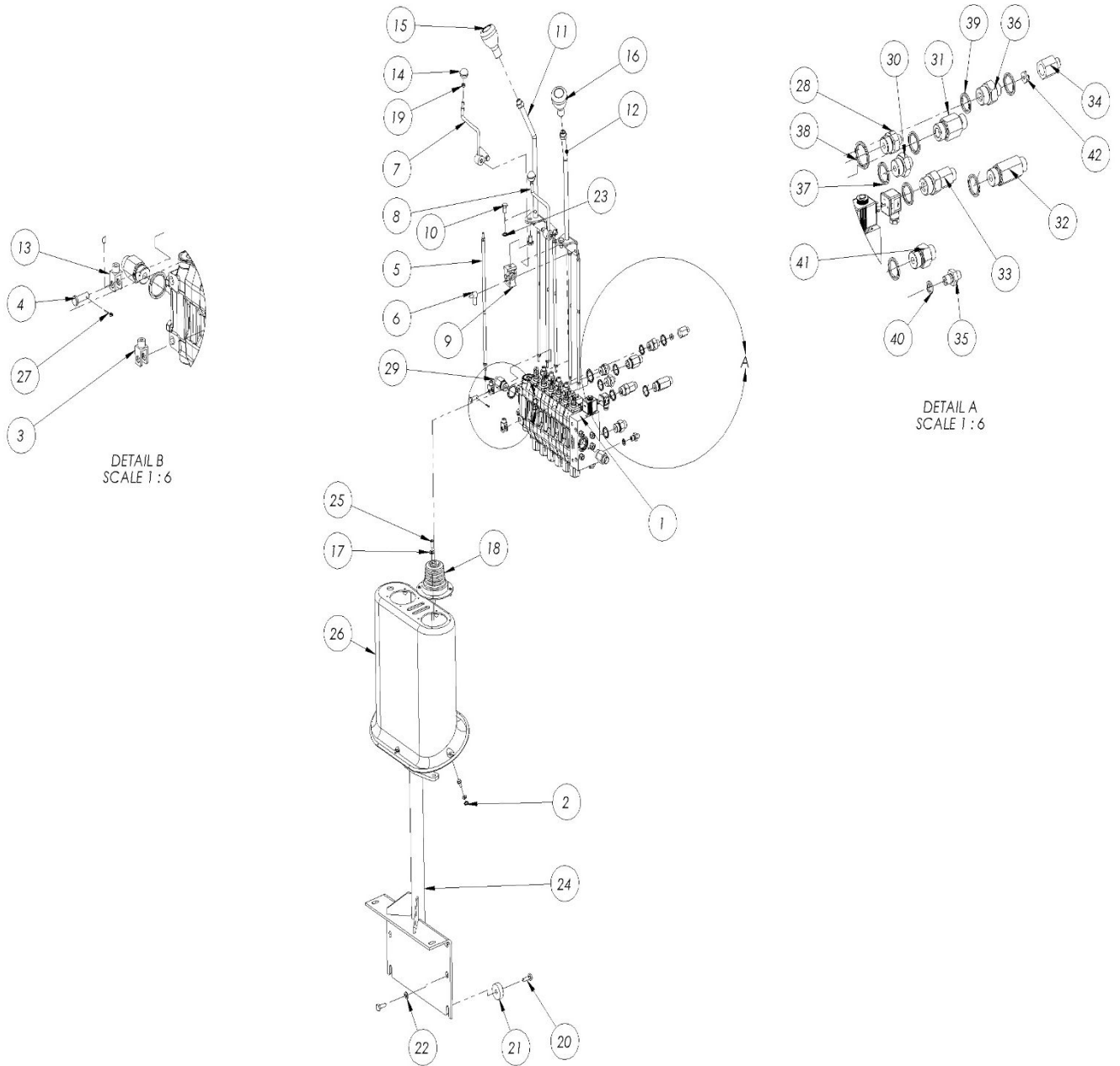
LOADER CONTROL VALVE ASSEMBLY (200541121200)

FIGURE NO: - 01.25

S. No	Part No	REV	DESCRIPTION	QTY	REMARKS
25	229941433500	A	HOLDING CLAMP	3	
26	800038210700	A	RUBBER CLAMP	3	
27	200541428900	A	ADOPTER- 1-1/16" UNF & 1/2" BSP,L=48MM	6	
28	200541428600	A	ADOPTER -1-5/16" UNF & 1"BSP , L=60MM	4	
29	200145400600	A	DOWTY SEAL 3/4" BSP	6	
30	200145400700	A	DOWTY SEAL 1"BSP	4	
31	901500812080	A	SCREW HEX M8X40	3	
32	901610800000	A	SPRING WASHER M8	3	
33	938300001100	A	HOSE CLAMP DIA 16 MM	8	
34	200541321000	A	LOADER LEVER ASSY 6 IN1	1	

EXCAVATOR CONTROL VALVE ASSEMBLY (200542121000)

FIGURE NO: - 01.26



EXCAVATOR CONTROL VALVE ASSEMBLY (200542121000)

FIGURE NO: - 01.26

S. No	Part No	REV	DESCRIPTION	QTY	REMARKS
1	923200004500	A	SPACER20X34X4 SDS180	12	3ANE134040-H
2	923200006800	A	TUBE 18X210 R2T/SDS180	1	3AST118210-H
3	923200004600	A	CONTROL KIT BUSH SD8-V8/S10	12	3BOC129180-H
4	923200008200	A	SPRING CAP-8IM/S10	2	3BOC325190-H
5	923200008300	A	BUSH-8IM/S10	2	3BOC426090-H
6	923200008400	A	CAP 8IMO/S10-NA	2	3CAP450672-H
7	923200001100	A	SPOOL 1D/SDS180	6	3CU2510210-H
8	923200008500	A	1IM SD SPOOL	1	3CU2510420-H
9	923200004700	A	ELEMENTO/SDS180-BSP	6	3EL1183000-H
10	923200008600	A	ELEMENTO SDS180/SPH-BSP	1	3EL3183001-H
11	923200006900	A	INLET COVER FE/SDS180-BSP/R2	1	3FIA118311-H
12	923200005000	A	FIANCATA FS-H/SDS180-BSP	1	3FIA218300-H
13	923200008700	A	MOLLA 8IM/S10	2	3MOL426430-H
14	923200007100	A	CONTROL KIT SPRING TYPE"C"	6	3MOL430630-H
15	923200007200	A	PIN-R2/T DIA 5X36	1	3SPI143600-H
16	923200008800	A	M10X463-SDS180/7-TIE ROD	4	3TIR110463-H
17	923200005400	A	SCREW V08-S10 M8	6	3VIT116300-H
18	923200007300	A	F/SD20KIT (ANTI CAVITATION VALVE)	1	3XKIT420210
19	923200007400	A	EXTERNAL CIRCLIP 2.3X6X0.6	1	4ANE606006-H
20	923200004100	A	NUT ALTO UNI-5587/M10-8.8ZN	8	4DAD110125-H
21	923200005500	A	18.72X2.62 VITON 75 SH O-RING	40	4GUA418726
22	923200001700	A	20.22X3.53 VITON 75 SH O-RING	12	4GUA420235
23	923200008900	A	OR 31.4X1.78 VITON 75SH	2	4GUA431518
24	923200005600	A	34.60X2.62 VITON 75 SH O-RING	8	4GUA434626
25	923200004200	A	SPRING WASHER M10	8	4ROS310522-H
26	923200009000	A	VITE M6X65-8.8	8	4VIT606065-H
27	923200009100	A	R2/SD16-SAE/FPM COMMUTATOR KIT	1	5COM416201
28	923200001400	A	S10SLP KIT	6	5COP110000-H
29	923200007700	A	VR/SD16-FPM KIT-SDS180 (LOADER CHECK VALVE)	7	5KIT016100-H
30	923200002500	A	@ VALVOLA UX(G-160)/SD16-SD25	8	X011411160
31	923200003200	A	VALVOLA UN(G4-200)/SD16-SD25	2	X011411200

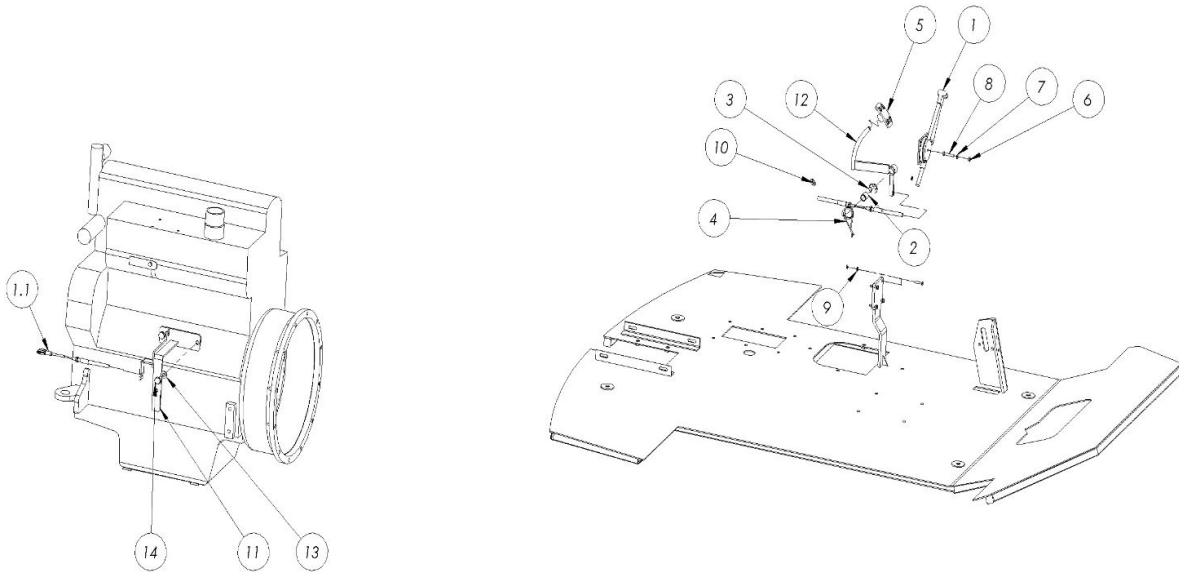
EXCAVATOR CONTROL VALVE ASSEMBLY (200542121000)

FIGURE NO: - 01.26

S. No	Part No	REV	DESCRIPTION	QTY	REMARKS
32	923200006200	A	S10 END CAP KIT	6	XCAP480510
33	923200006300	A	M/F G3/4 -G1/4 JOINT	1	XGIU632280
34	923200009200	A	SP/SD8-SD16 RING	1	YANE218080-H
35	923200007900	A	ADAPTER SAE6-G1/4	1	YGIU619340V-H
36	923200008000	A	CAP ANTI CAVITATION PLUG	1	YTAP332370-H
37	923200006500	A	P3T/SD16-SDS180-SD25 PLUG	4	YTAP528361-H
38	923200006700	A	HSH BSP 1/43 PLUG	1	YTAP719150-H
39	923200008100	A	BSP1 FPM PLUG	1	YTAP740220-H
40	923200002700	A	BACKHOE BUCKET SECTION	1	618101015
41	923200002800	A	BACKHOE DIPPER SECTION	1	618101016
42	923200002900	A	STABILIZER SECTION	2	618101009
43	923200003000	A	BACKHOE BOOM SECTION	1	618101010
44	923200003100	A	BACKHOE SEW SECTION	1	618101011
45	923200003300	A	BACKHOE OUTLET SECTION	1	618301007
46	923200003400	A	SEAL KIT FOR BACKHOE VALVE 6 SPOOL	1	5GD18600011
47	923200002200	A	HYDRA CLAMP VALVE COMPLETE	1	618201016
48	923200002300	A	HYDRA CLAMP VALVE BKT	1	5G019416287-H

ACC LINKAGE ASSEMBLY (20055119900)

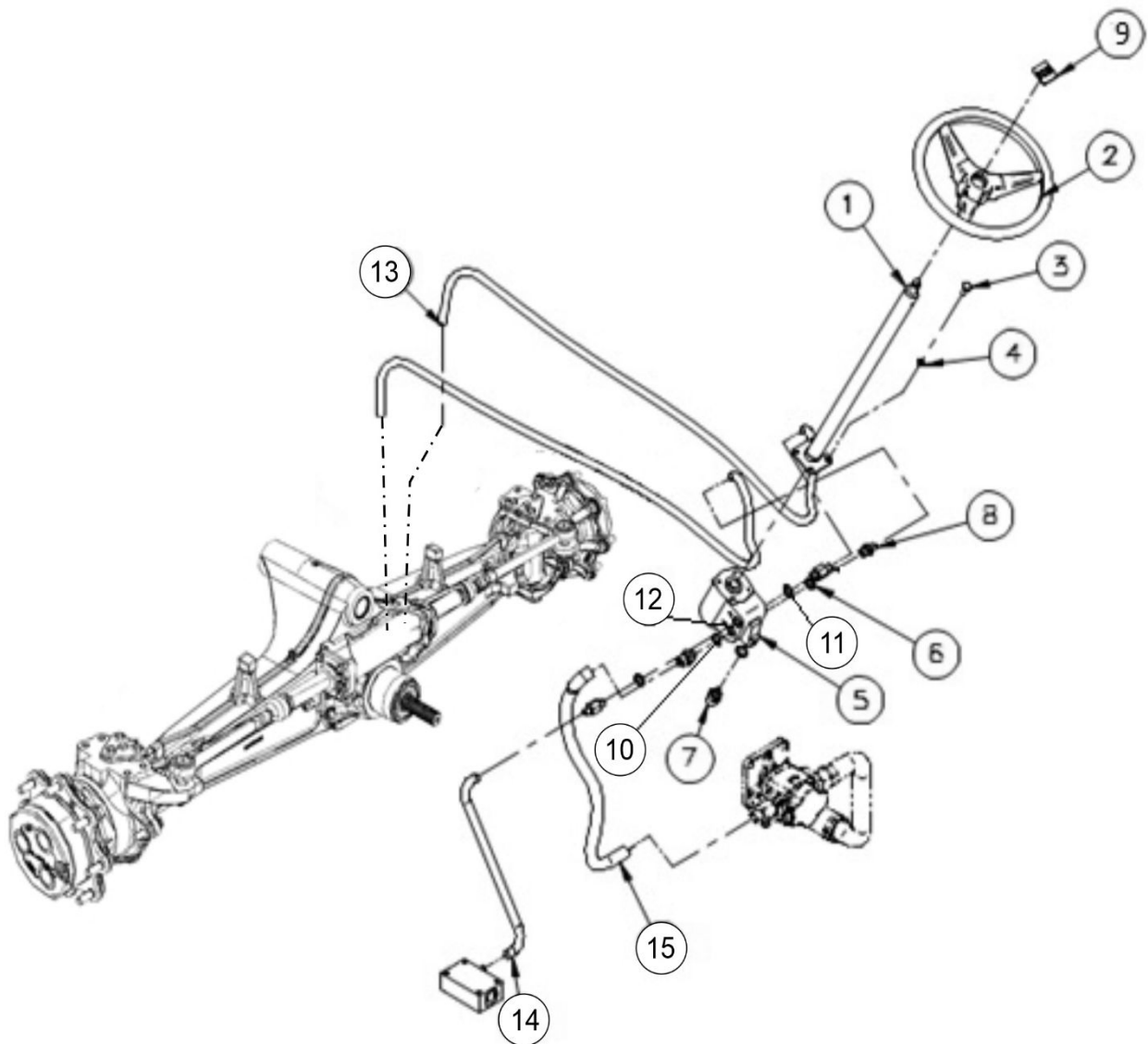
FIGURE NO: - 01.27



S. No	Part No	REV	DESCRIPTION	QTY	REMARKS
1	200551421400	A	ACC LEVER WITH ACC CABLE	1	
1.1	200129201500	A	ACCELERATOR CABLE	1	
2	200551421300	A	BUSH ACCELERATOR PEDAL	1	
3	200151400200	A	LOCK(ACC. LINKAGE ASSY)	1	
4	200151300100	A	SPRING (ACC. LINKAGE ASSY)	1	
5	901200500000	A	PEDAL PAD FAB	1	
6	901220500000	A	NUT HEX	4	
7	901600600000	A	WASHER PLAIN	4	
8	901540512060	A	SLOTTED CHEESE HEAD SCREW M5X30	4	
9	901201200000	A	WASHER SPRING	1	
10	901201200000	A	NUT HEX	1	
11	200551319900	A	BRACKET FOR ACC. CABLE	1	
12	200151300200	A	ACCELERATOR PEDAL FAB	1	
13	901601000000	A	WASHER PLAIN	2	
14	901501012050	A	SCREW HEX	2	

HYDRAULIC STEERING ASSEMBLY (200543120100)

FIGURE NO: - 01.28



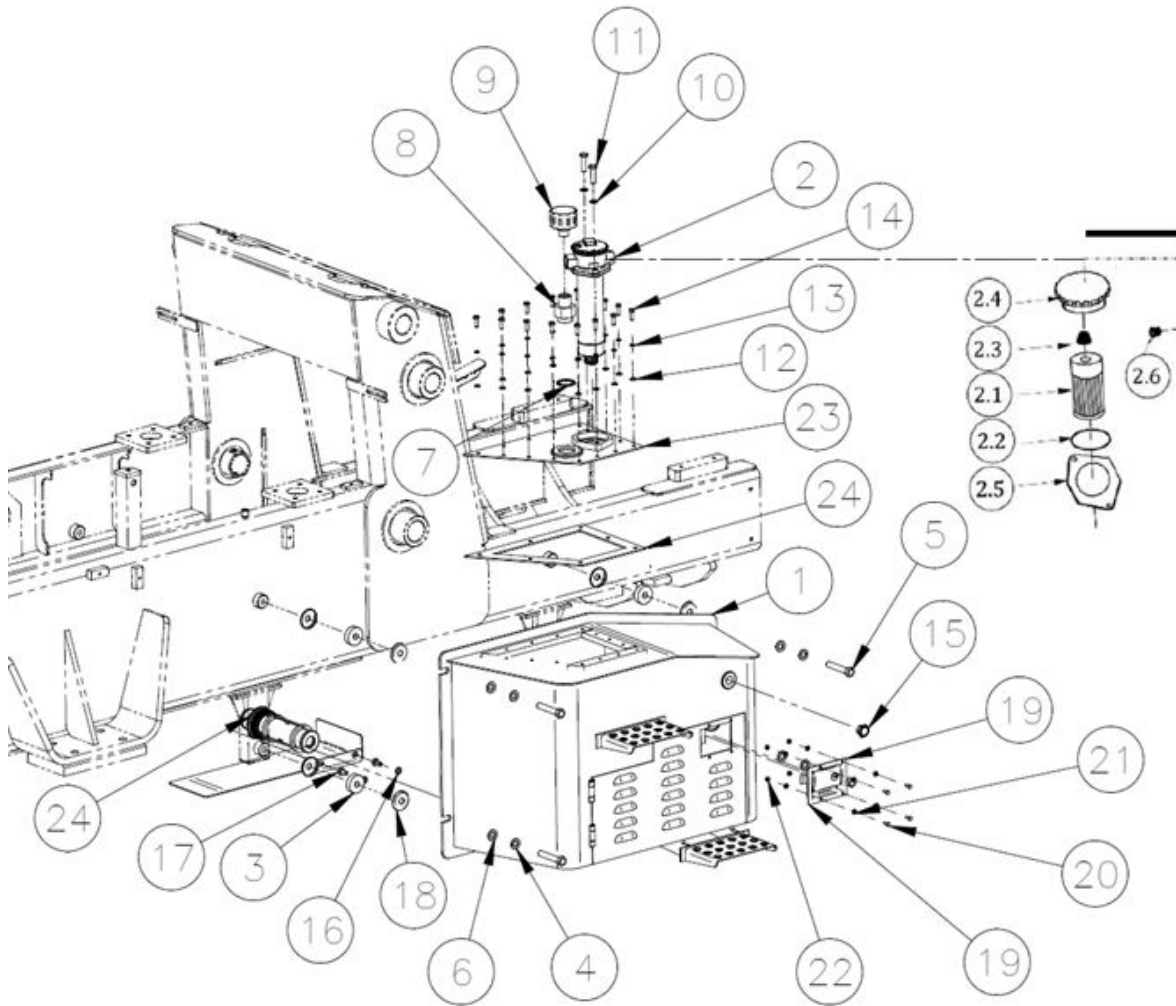
HYDRAULIC STEERING ASSEMBLY (200543120100)

FIGURE NO: - 01.28

S. No	Part No	REV	DESCRIPTION	QTY	REMARKS
1	926500000400	A	STEERING COLUMN-SD808-ADD110	1	
2	423551421000	A	STEERING WHEEL (N)	1	
3	901501012060	A	SCREW HEX M10X30-GR 8.8 ..	4	
4	901611000000	A	SPRING WASHER B-10	4	
5	926100000500	A	STEERING UNIT-VSP 200 LS + OLSA 80	1	
6	200145400500	A	DOWTY SEAL 1/2" BSP	5	
7	200545200300	A	ADOPTER-1/2"X3/4" BSP,L=70MM	2	
8	200545219900	A	ADOPTER-1/2" BSP TO 3/8" BSP,L=46MM	3	
9	936200000100	A	STEERING WHEEL CAP	1	
10	200145400700	A	DOWTY SEAL 1"BSP	1	
11	200145400200	A	DOWTY SEAL 1/4" BSP - (200145400200)	1	
12	901601000000	A	WASHER PLAIN M10-2 MM	4	
13	911208102000	A	HP HOSE	2	
14	911208100560	A	HP HOSE (3/8" BSP)	1	
15	912007200550	A	HP HOSE (3/4" BSP)	1	

HYDRAULIC TANK ASSEMBLY (200346120000)

FIGURE NO: - 01.29



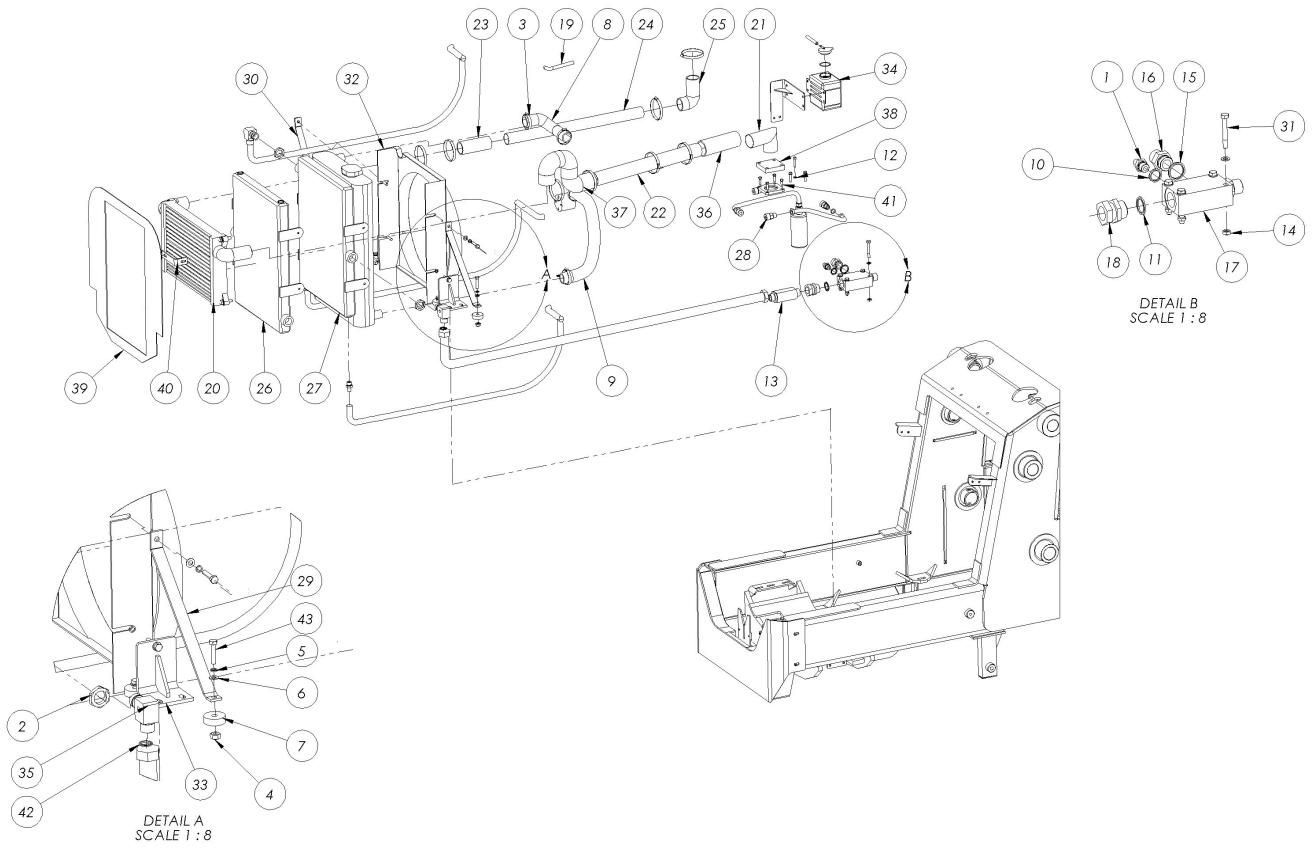
HYDRAULIC TANK ASSEMBLY (200346120000)

FIGURE NO: - 01.29

S. No	Part No	REV	DESCRIPTION	QTY	REMARKS
1	200346119900	D	HYD TANK SUB ASSY BS-IV	1	
2	922200003000	A	RETURN LINE FILTER- RFT-143-GD-G2-100-OM -AGRO HYTOS	1	
2.1	922200003010	A	FILTER ELEMENT	1	
2.2	922200001900	A	O-RING	2	
2.3	922200002000	A	COMPRESSION SPRING	3	
2.4	922200002100	A	CAP	4	
2.5	922200002200	A	FLAT GASKET	5	
2.6	922200002300	A	VENTILATING FILTER	6	
3	940000002000	A	RUBBER MOUNT	4	
4	901611600000	A	WASHER SPRING	4	M16
5	901101612180	A	BOLT HEX	4	M16x90, Gr - 8.8
6	901601600000	A	WASHER PLAIN	4	M16
7	925081002000	A	DOWTY SEAL	1	1/4" BSP
8	200346422500	A	STRAIGHT ADOPTER	1	
9	200393420400	B	NON PRESSURISED BREATHER	1	002-TB-25
10	901601000000	A	WASHER PLAIN M10	2	M10
11	901501012090	A	SCREW HEX M10x45	2	M10x45, Gr - 8.8
12	901600800000	-	Washer Plain M8	7	
13	901610800000	A	WASHER SPRING	7	M8
14	901500812050	-	SCREW HEX	7	M8x25, Gr - 8.8
15	929500000100	A	EYE PLUG	1	MINTOR, TLA4G
16	901601000000	A	WASHER PLAIN	2	M10
17	901501012040	A	SCREW HEX	2	M10x20, Gr - 8.8
18	940000002100	A	RUBBER MOUNT CAP	8	
19	260163400200	A	GAMMA	1	EXISTING
20	901500612030	A	SCREW HEX	4	M6x16, Gr - 8.8
21	901600600000	A	WASHER PLAIN	8	M6
22	901200600000	A	HEX NUT	4	M6
23	200346320000	C	HYDRAULIC TANK TOP COVER FAB	1	
24	200546422500	B	GASKET	1	

COOLING SYSTEM ASSEMBLY (200535120500)

FIGURE NO: - 01.30



COOLING SYSTEM ASSEMBLY (200535120500)

FIGURE NO: - 01.30

S. No	Part No	REV	DESCRIPTION	QTY	REMARKS
1	200545219900	B	ADOPTER-1/2" BSP TO 3/8" BSP,L=46MM	3	
2	200545220000	A	LOCK NUT- 1" BSP -COOLING SYS- AX130	2	
3	955402500000	A	HOSE CLAMP2.5"	4	
4	901221000000	A	NUT NYLOCK M10	6	
5	901611000000	A	SPRING WASHER B-10	12	
6	901601000000	A	WASHER PLAIN M10-2 MM	16	
7	940000001500	E	RUBBER MOUNT-50X13X21 MM	6	
8	200235400100	A	RADIATOR TOP HOSE(200235400100)	1	
9	200235400200	A	RADIATOR BOTTOM HOSE(200235400200)	1	
10	200545220300	A	ADOPTER-1-1/4"X1-1/4"	2	
11	200145400500	A	DOWTY SEAL 1/2" BSP	1	
12	200145400800	A	DOWTY SEAL 1 1/4" BSP	1	
13	901600800000	A	PLAIN WASHER M8 (NEW SHEET METAL).	3	
14	929200000400	A	COOLER BY PASS VALVE	1	
15	901201000000	A	HEX NUT-M10.	4	
16	200145400700	A	DOWTY SEAL 1"BSP	2	
17	200145201500	A	ADOPTER (1"BSP X 1" BSP) (L=56MM)	2	
18	200141201000	A	RETURN DISTRIBUTOR BLOCK- (1" BSP X1-1/4" BSP TO 1" BSP X1/2" BSP	1	
19	200141202700	A	SWIVEL MALE STUD COUPLING (1-1/4" BSP X1-1/4" BSP NUT NIPPLE,L=65MM	1	
20	300136401300	A	OVER FLOW PIPE (OD-12,ID-8)	1	
21	955300003900	B	CHARGED AIR COOLER-BS-III.	1	
22	200535319900	B	ADOPTER FAB- DIA 63X171MM	1	
23	200535420800	B	PIPE-DIA-63X500MM (WT- 1.211 KG)	1	
24	200535420500	A	HOSE-DIA-51X150MM (COOLING SYSTEM	1	
25	200535420700	A	PIPE	1	

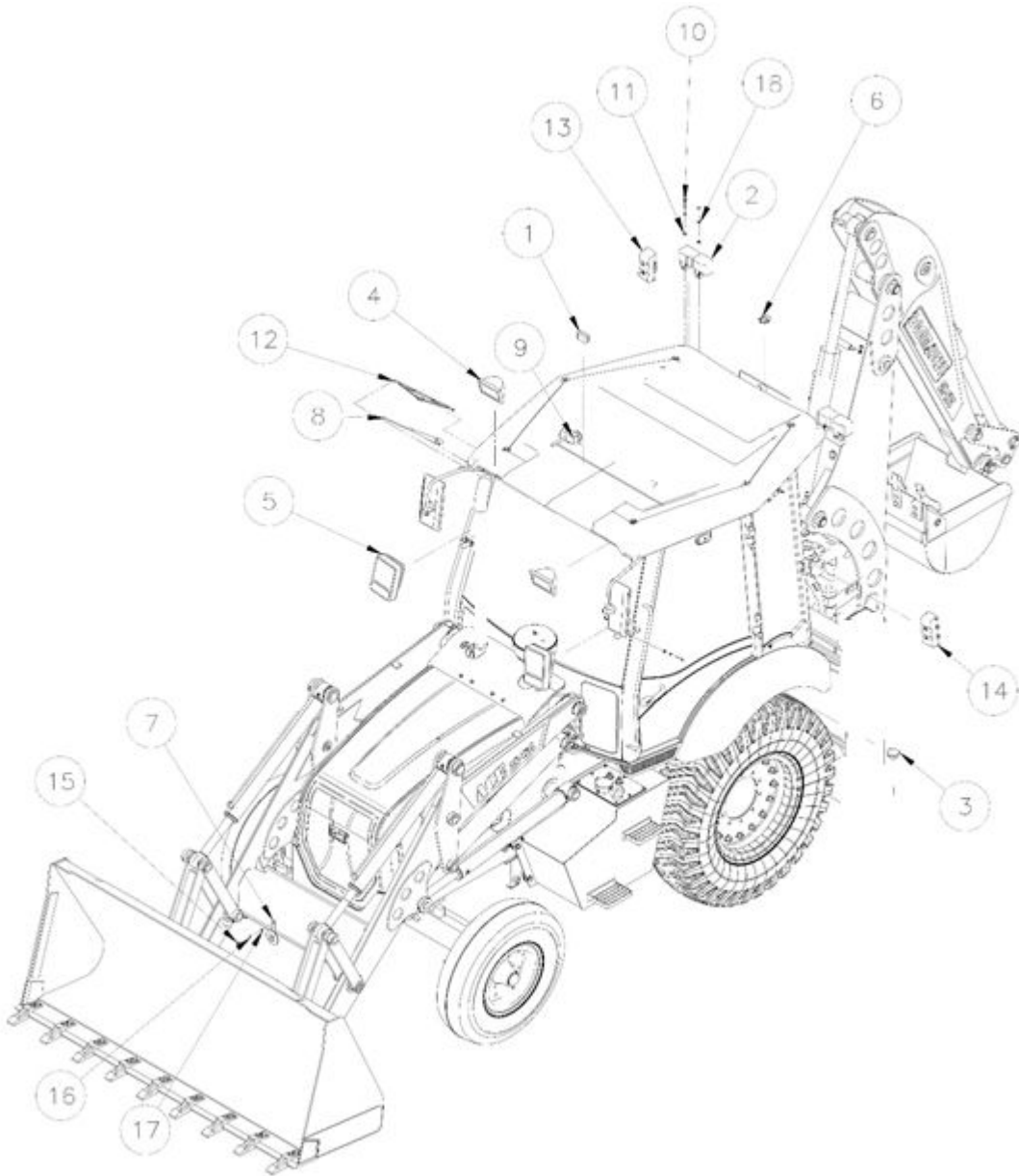
COOLING SYSTEM ASSEMBLY (200535120500)

FIGURE NO: - 01.30

S. No	Part No	REV	DESCRIPTION	QTY	REMARKS
26	200535420600	A	RUBBER HOSE(200535420600)	1	
27	955300002200	A	HYD.+TORQUE OIL COOLER.	1	
28	955300002300	B	RADIATOR ASSLY-AX130	1	
29	200145203400	B	ADOPTER 7/8" UNF X 1/2".	6	
30	200535421700	A	RADIATOR STY-LH (409X32X5MM (WT-0.521 KG- COOLING SYS) AX130	1	
31	200535421600	A	RADIATOR STY-RH (409X32X5MM (WT-0.521 KG- COOLING SYS) AX130	1	
32	200145201300	A	ADOPTOR 1" BSP TO 3/4"-16UNF (L= 65MM-COOLING SYS) AX130	1	
33	901101012160	A	BOLT HEX-M10X80,GR 8.8.	3	
34	200535421500	B	RADIATOR COWLING WT.1.582KG - (2WD)AX130	1	
35	200535320000	A	RADIATOR MTG BKT FAB - 103X100X8MM (WT- 1.183 KG- COOLING SYS) AX130	2	
36	423512400900	A	RECOVERY BOTTLE	1	
37	200545220100	A	ELBOW-1"BSP TO 1" BSP	2	
38	200535420400	A	CAC HOSE	1	
39	200535422300	A	CAC HOSE-293X150X63MM (WT- 1.563 KG) AX130-NEW CAC	1	
40	901101012100	A	BOLT HEX-M10X50,GR 8.8.	12	
41	200535320200	C	BRACKET CAC MTG- 580X510MM (WT- 4.040 KG- COOLING SYSTEM) AX130	1	
42	200535423200	C	HEAT PROTECTION COVER- 765X700X2.5MM (WT-4.281 KG) AX124	1	
43	200535423300	A	HEAT PROTECTION COVER MTG -79X62X4MM	4	
44	901500812060	A	SCREW HEX M8X30-GR-8.8.	3	
45	200535121000	A	O RING - OD,34,ID-28X3MM -COOLING SYSTEM- AX124	1	

LIGHT INSTALLATION ASSEMBLY (200572100200)

FIGURE NO: - 01.31



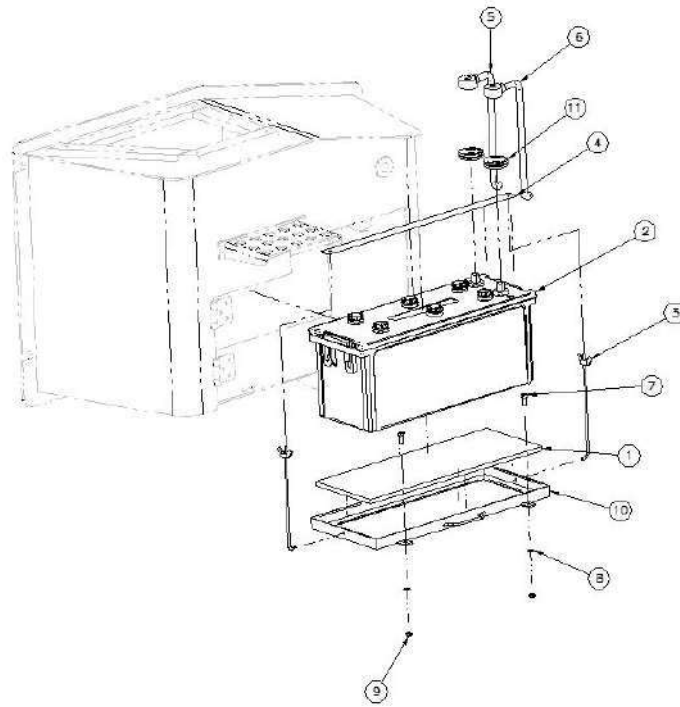
LIGHT INSTALLATION ASSEMBLY (200572100200)

FIGURE NO: - 01.31

S. No	Part No	REV	DESCRIPTION	QTY	REMARKS
1	101074402400	A	CABIN LIGHT-12V	1	
2	941200000100	A	WORK LAMP (HAPL-WL-01)-12V	4	
3	101074404700	A	REVERSE WARNING BUZZOR-12V & 24V	1	
4	101074402100	A	CANOPY LIGHT FRONT WITH COVER.	2	
5	200572119900	A	HEAD LAMP ASSY-NEW-784H-111 -AX130	2	
6	941400000200	A	NUMBER PLATE LIGHT-HL 569-12V	1	
7	423584401400	A	HORN ASSY.	1	
8	101175419900	A	WIPER ARM 16".	1	
9	101275420500	A	WIPER MOTOR-12V	1	
10	901101012120	A	BOLT HEX-M10X60,GR 8.8.	4	
11	901221000000	A	NUT NYLOCK M10	4	
12	941800002000	A	WIPER BLADE 20"	1	
13	941300000300	A	REAR COMBINATION LAMP RH-12V (3 CHAMBER)	1	
14	941300000400	A	REAR COMBINATION LAMP LH-12V (3 CHAMBER)	1	
15	901500812040	A	HEX SCREW M8X20	4	
16	901610800000	A	SPRING WASHER B-8.	4	
17	901600800000	A	PLAIN WASHER M8 (NEW SHEET METAL).	4	
18	901611000000	A	SPRING WASHER B-10	4	

BATTERY INSTALLATION (200573130000)

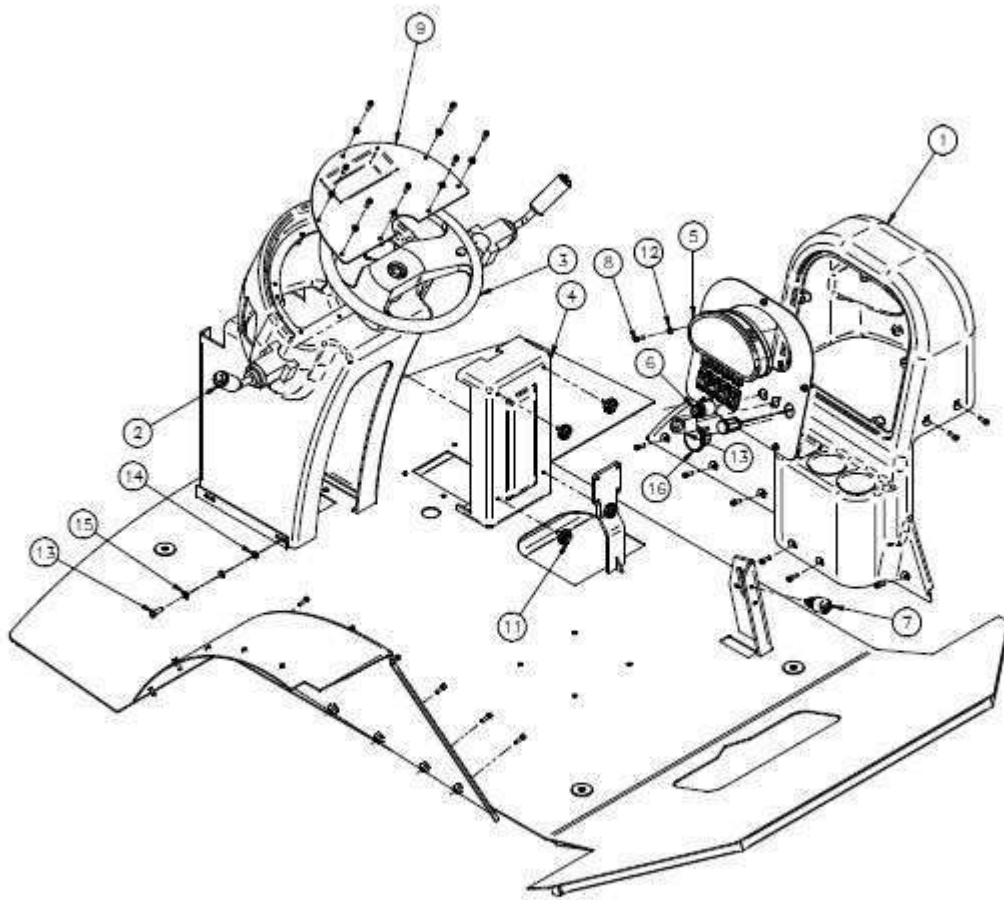
FIGURE NO: - 01.32



S. No	Part No	REV	DESCRIPTION	QTY	REMARKS
1	320173400200	A	RUBBER PAD	1	
2	942100000200	A	AMCO (130Ah) BATTERY.	1	
3	300173400300	C	AS1040	2	
4	200546425700	A	BATTERY HOLDING PLATE	1	
5	200371419900	A	BATTERY LEAD +VE	1	LENGTH-1500mm
6	200371420000	A	BATTERY LEAD -VE	1	LENGTH-1400mm
7	901100812040	A	BOLT HEX M8x20, Gr - 8.8	2	M8x35, Gr - 8.8
8	901610800000	A	WASHER SPRING M8	2	
9	901200800000	A	NUT HEX	2	M8
10	200546322500	B	BATTERY FRAME FAB	1	
11	300193400500	A	GROMMET	2	ID 40 XOD 45
12	200346421200	A	GROMMET	1	

DASHBOARD INSTRUMENTS (200574120500)

FIGURE NO: - 01.33



DASHBOARD INSTRUMENTS

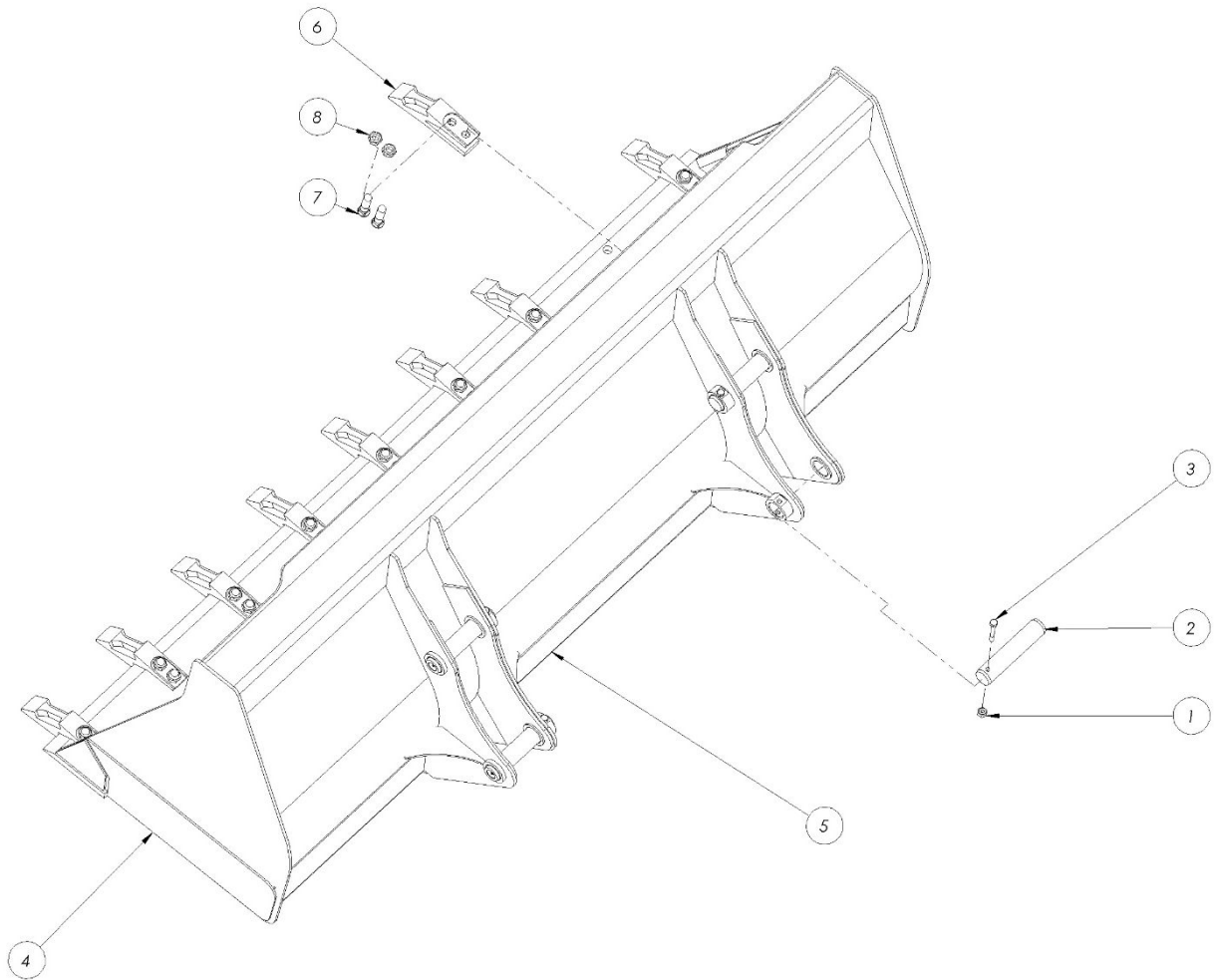
(200574120500)

FIGURE NO: - 01.33

S. No	Part No	REV	DESCRIPTION	QTY	REMARKS
1	200464447900	A	SIDE CONSOLE FAB-L=370MM	1	
2	200574521500	A	FNR SHIFTER WITH HORN -C-90 CONNECTOR	1	
3	200574521400	A	TURN SIGNAL SHIFTER CONTROL	1	
4	200563490000	B	FUSE BOX COVER -380X200X85MM (WT- 0.923 KG-FRP_ ELECTRICAL UNIT)	1	
5	944500000600	A	INSTRUMENT CLUSTER	1	
6	943500000500	A	2 POSITION IGNITION SWITCH -40AMPS (OEN) FUSY	1	
7	200174400600	A	BRAKE SWITCH	1	
8	901101212200	A	CHEESE HEAD SCREW-M6X20	14	
9	944500000600	A	INSTRUMENT CLUSTER	1	
10	943500000300	A	STARTER PUSH SWITCH-16XW,FX &	1	
11	320162405400	A	KNOB	4	
12	901600600000	A	PLAIN WASHER M6	4	
13	901500812060	A	SCREW HEX M8X30-GR-8.8.	4	
14	901200800000	A	HEX_M8	4	
15	901600800000	A	WASHER PLAIN M8	4	
16	944100002100	A	HOUR METER	1	

LOADER BUCKET ASSEMBLY (1.2CUM) (200522120800)

FIGURE NO: - 01.34



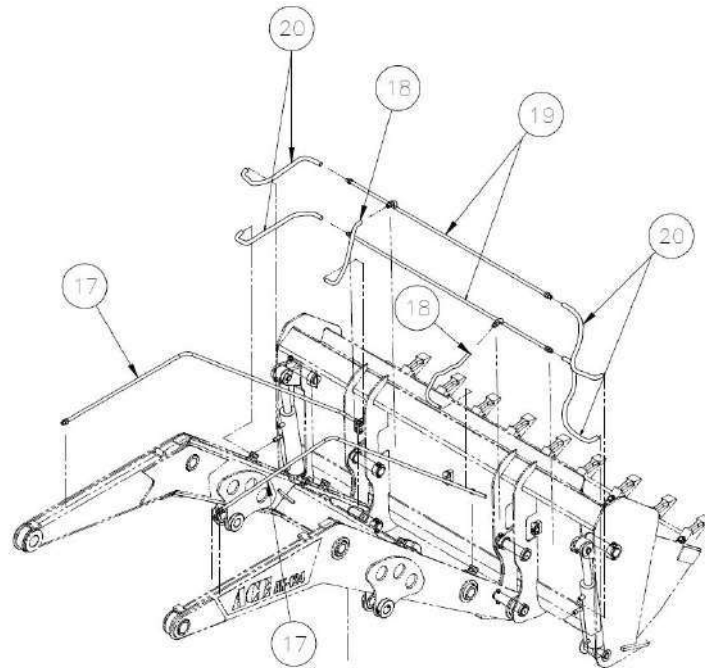
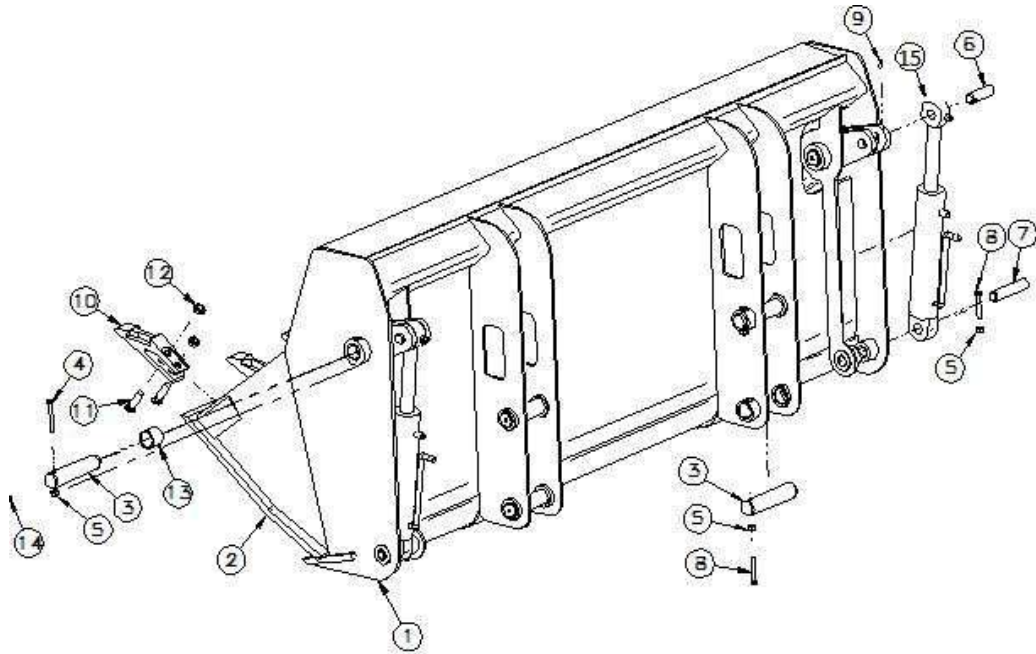
LOADER BUCKET ASSEMBLY (1.2 CUM)
(200522120800)

FIGURE NO: - 01.34

S. No	Part No	REV	DESCRIPTION	QTY	REMARKS
1	901221000000	A	NUT NYLOCK M10	4	
2	200129204100	E	PIN SHOVEL (44.9X211MM)	4	
3	901101012160	A	BOLT HEX-M10X80,GR 8.8.	4	
4	200522122300	A	LOADER BUCKET SUB ASSY (WT- 476.063 KG)	1	
5	200522323500	A	LOADER BUCKET FABRICATION (WT- 443.700 KG)	1	
6	200593425800	A	ROCK TOOTH- (WT-3.1 KG-AX130)	9	
7	200526419900	A	PLOUGH BOLT-3/4" UNF-2B,L=70MM	18	
8	902201223000	A	NUT HEX 3/4" UNF	18	

LOADER BUCKET ASSEMBLY (6 IN 1) OPTIONAL (1.1CUM) (200522121200)

FIGURE NO: - 01.35



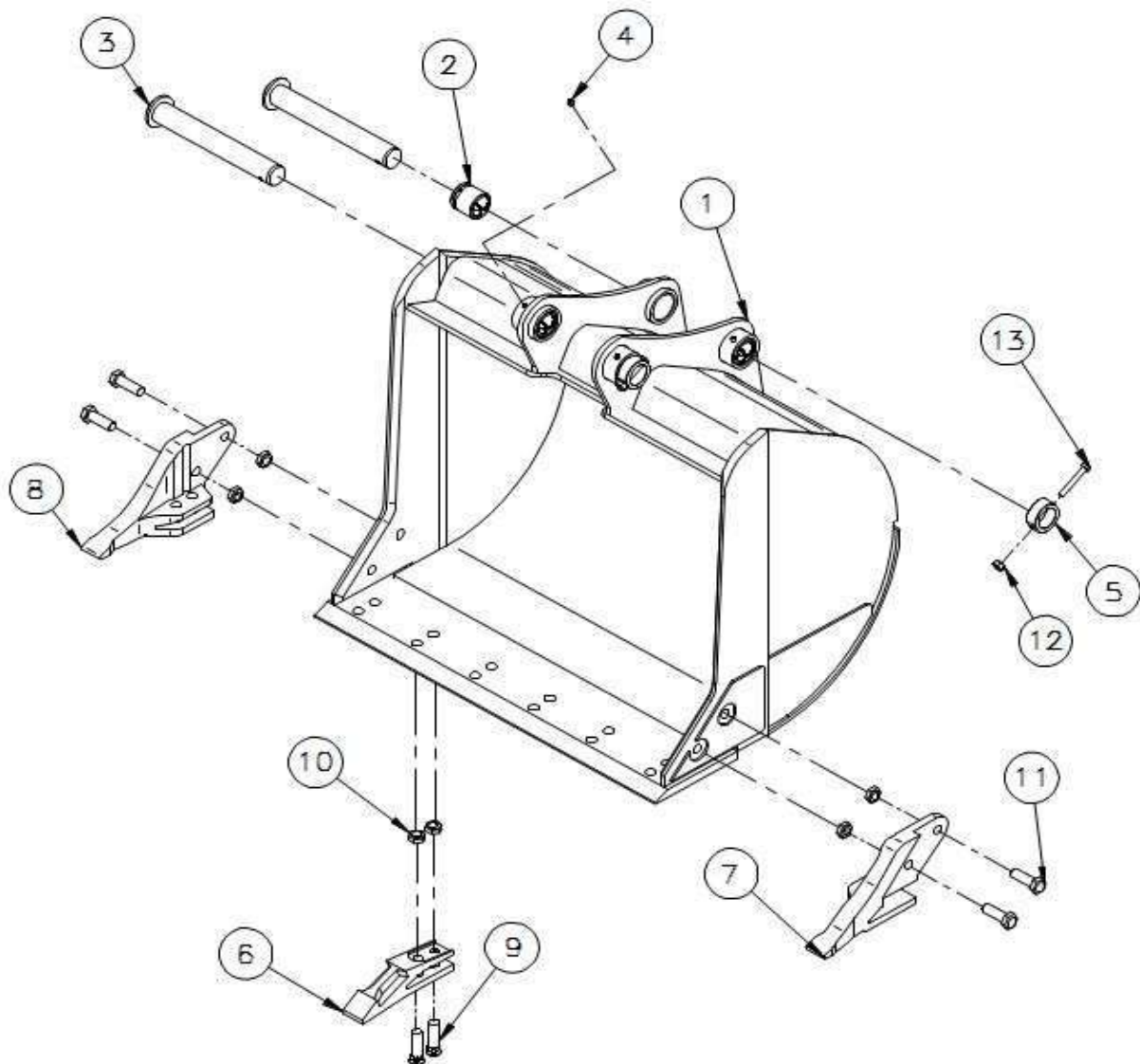
**LOADER BUCKET ASSEMBLY (6 IN 1)
OPTIONAL (1.1CUM)
(200522121200)**

FIGURE NO: - 01.35

S.NO.	Part No	REV	DESCRIPTION	QTY.	REMARKS
1	200322320000	E	REAR FAB-N FOR 6IN1 BUCKET	1	
2	200322320100	C	FRONT FAB.-N FOR 6IN1 BUCKET	1	
3	200129204100	A	PIN SHOVEL	6	
4	901101012180	A	BOLT HEX	2	
5	901221000000	A	NUT NYLOCK	8	
6	200129205700	B	PIN ROD SIDE (6IN1)	2	
7	200129205800	A	PIN HEAD SIDE (6IN1)	2	
8	901101012160	A	BOLT HEX	6	
9	901521012040	A	SCREW GRUB	2	
10	200593425800	A	ROCK TOOTH- (WT-3.1 KG-	9	
11	200526419900	A	PLOUGH BOLT	18	
12	902201223000	A	NUT HEX 3/4" UNF	18	
13	200527420200	A	BUSH	4	
14	901301000000	A	NIPPLE GREASE	6	
15	924400700190	A	6IN1 CYLINDER OLD TYPE	2	
15	924400700191	A	6IN1 BUCKET CYLINDER DANTAL NEW TYPE	2	
16	200522433110	A	FEED PIPE RHS HOSE TO HOSE FOR 6IN1 BUCKET CYL.	1	
17	200522433210	A	FEED PIPE LHS HOSE TO HOSE FOR 6IN1 BUCKET CYL.	1	
18	911208200595	A	HOSE FEED PIPE TO FEED PIPE FOR 6IN1 BUCKET CYL.	2	
19	200522433320	A	FEED PIPE HOSE TO HOSE FOR 6IN1 BUCKET CYL.	2	
20	911202120700	A	HOSE FEED PIPE TO 6IN1 BUCKET CYL. L=700MM	4	

EXCAVATOR BUCKET ASSYSEMBLY (0.30 CUM) OPTIONAL (200526120300)

FIGURE NO: - 01.36



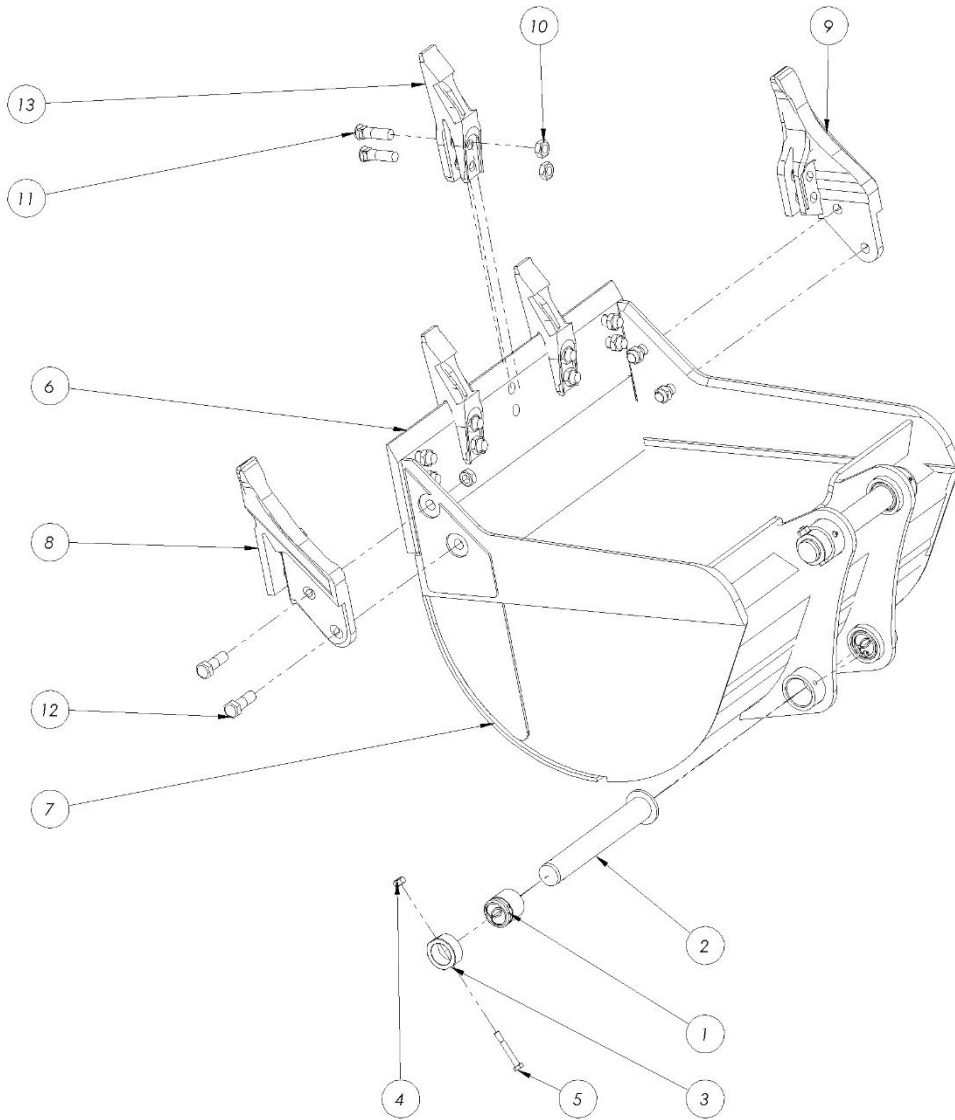
EXCAVATOR BUCKET ASSYSEMBLY (0.30 CUM)
OPTIONAL
(200526120300)

FIGURE NO: - 01.36

S.NO.	Part No	RE	DESCRIPTION	QTY.	REMARKS
1	200526320200	A	BUCKET FAB-S (0.30 CUM)	1	
2	200129201600	B	BUSH EXCAVATOR BUCKET	4	
3	200129300100	B	SHOVEL PIN FAB	2	
4	901301000000	A	NIPPLE GREASE	4	
5	200529200700	A	LOCKING BUSH	2	
6	200128600100	A	TOOTH	4	
7	200128600200	A	SIDE CUTTER LH	1	
8	200128600300	A	SIDE CUTTER RH	1	
9	200526419900	A	PLOUGH BOLT	12	
10	901202000000	A	NUT HEX	16	
11	901102012120	A	BOLT HEX	4	
12	901221000000	A	NUT NYLOCK	2	
13	901101012150	A	BOLT HEX	2	

EXCAVATOR BUCKET ASSY (0.24 CUM) (200526120000)

FIGURE NO: - 01.37



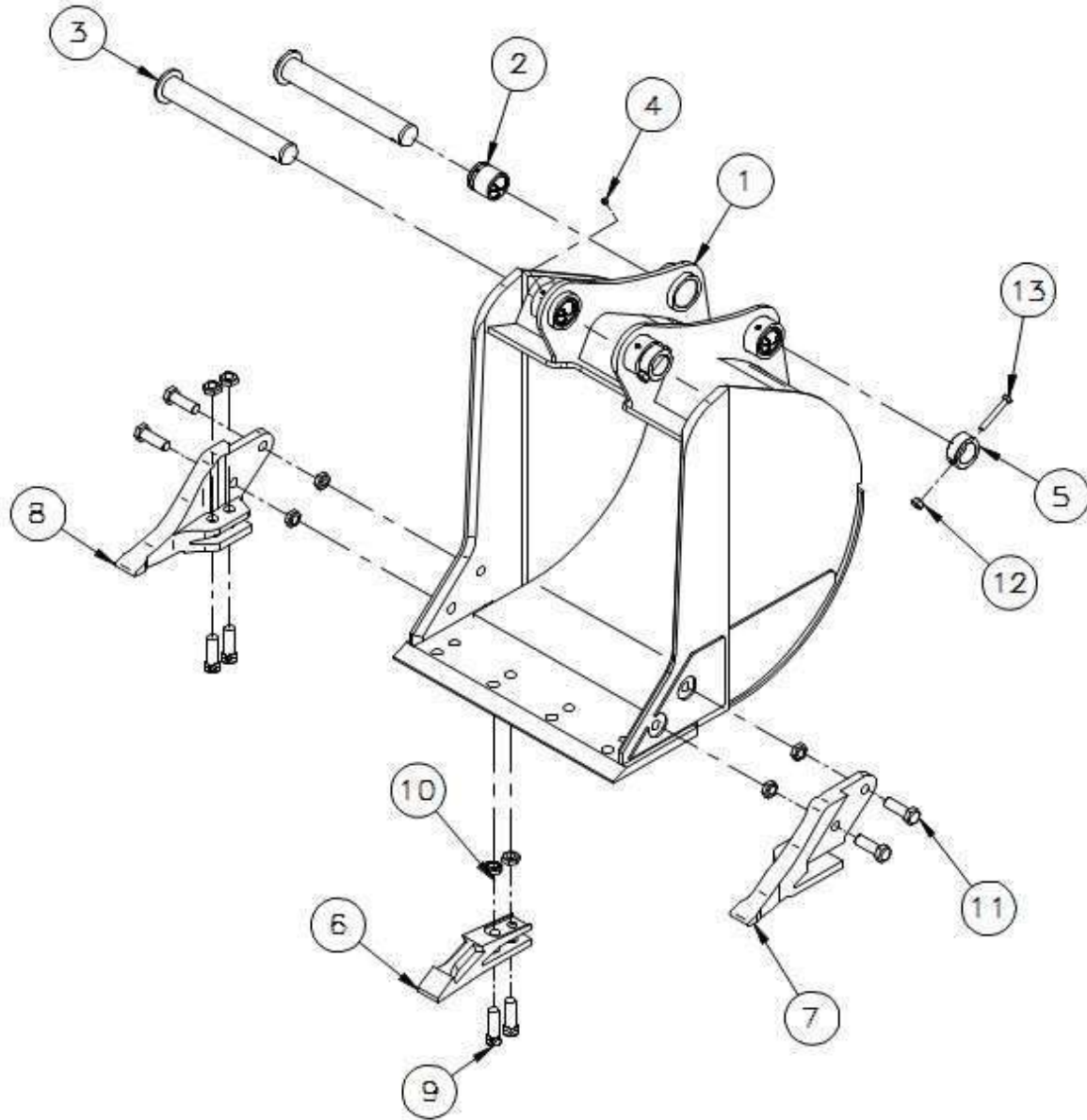
EXCAVATOR BUCKET ASSY (0.24 CUM) (200526120000)

FIGURE NO: - 01.37

S. No	Part No	REV	DESCRIPTION	QTY	REMARKS
1	200129201600	A	BUSH (EXV BUCK ASSY) (OD-57.4,ID-45X57.4MM) AX130	1	
2	200129300100	A	SHOVEL PIN FAB (DIA 45X335MM, WT- 4.251 KG,WITH FLANGE)AX130	4	
3	200529200700	A	LOCKING BUSH (DIA 60X45X25MM)	2	
4	901221000000	A	NUT NYLOCK M10	2	
5	901101012160	A	BOLT HEX-M10X80,GR 8.8.	2	
6	200526120600	A	EXCAVATOR BUCKET SUB ASSY (0.24)	2	
7	200526319900	A	EXCAVATOR BUCKET (WT- 213.020 KG)AX130	1	
8	200128600200	A	SIDE CUTTER LH.	1	
9	200128600300	A	SIDE CUTTER RH	1	
10	902201223000	A	NUT HEX 3/4" UNF	1	
11	200526419900	A	PLOUGH BOLT-3/4" UNF-2B,L=70MM	12	
12	902101222100	A	HEX BOLT 3/4"X21/2UNF	10	
13	200593425800	A	ROCK TOOTH- (WT-3.1 KG-AX130)	2	

EXCAVATOR BUCKET ASSY (0.18 CUM) OPTIONAL (200526120200)

FIGURE NO: - 01.38



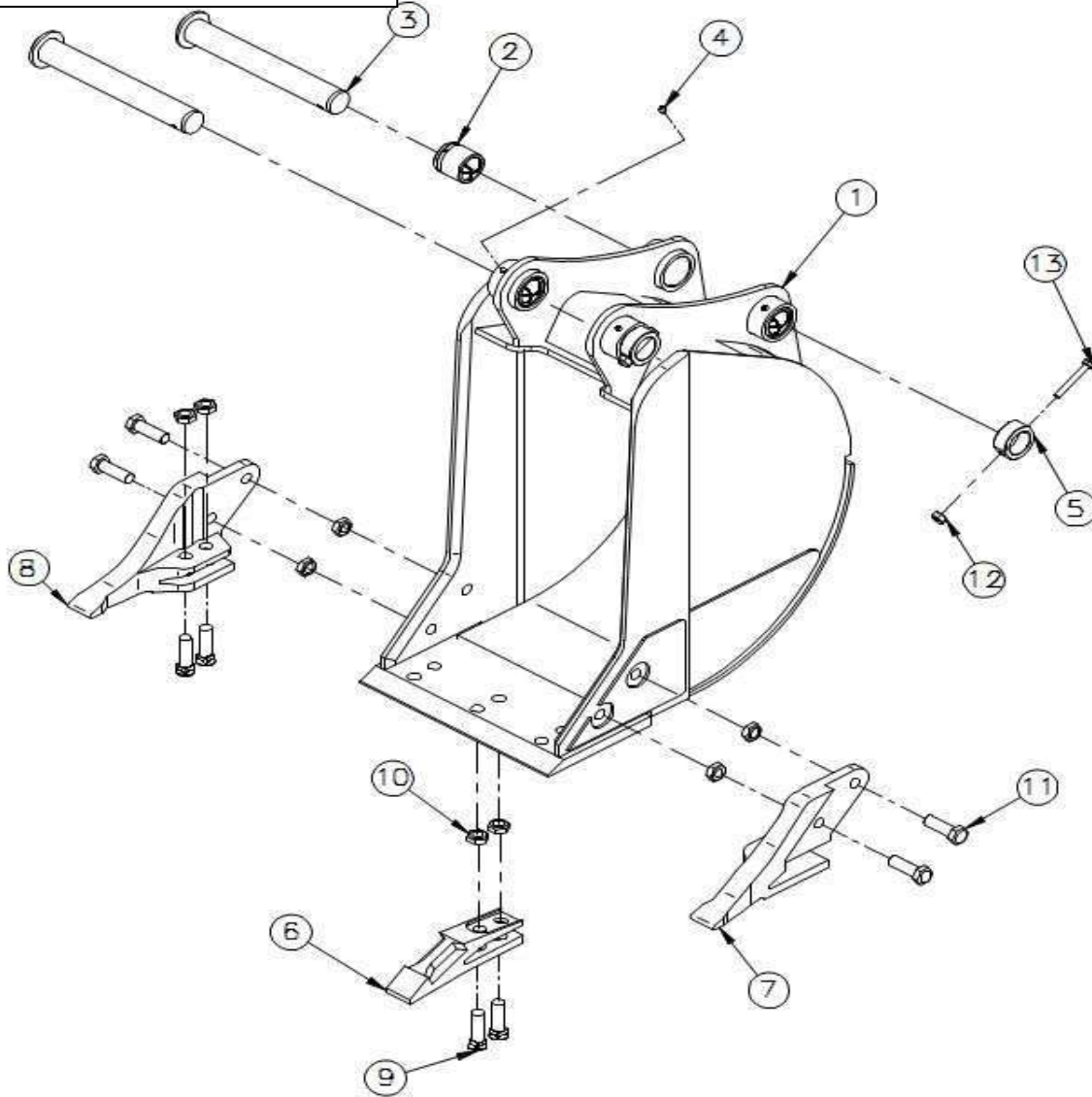
EXCAVATOR BUCKET ASSYEMBLY (0.18 CUM)
OPTIONAL
(200526120200)

FIGURE NO: - 01.38

S.NO.	Part No	REV	DESCRIPTION	QTY.	REMARKS
1	200526320100	A	BUCKET FAB-S (0.18 CUM)	1	
2	200129201600	A	BUSH EXCAVATOR BUCKET	4	
3	200129300100	B	SHOVEL PIN FAB	2	
4	901301000000	A	NIPPLE GREASE	4	
5	200529200700	A	LOCKING BUSH	2	
6	200128600100	A	TOOTH	2	
7	200128600200	A	SIDE CUTTER LH	1	
8	200128600300	A	SIDE CUTTER RH	1	
9	200526419900	A	PLOUGH BOLT	8	
10	901202000000	A	NUT HEX	12	
11	901102012120	A	BOLT HEX	4	
12	901221000000	A	NUT NYLOCK	2	
13	901101012150	A	BOLT HEX	2	

**EXCAVATOR BUCKET ASSYSEMBLY (0.12 CUM)
OPTIONAL
(200526120100)**

FIGURE NO: - 01.39



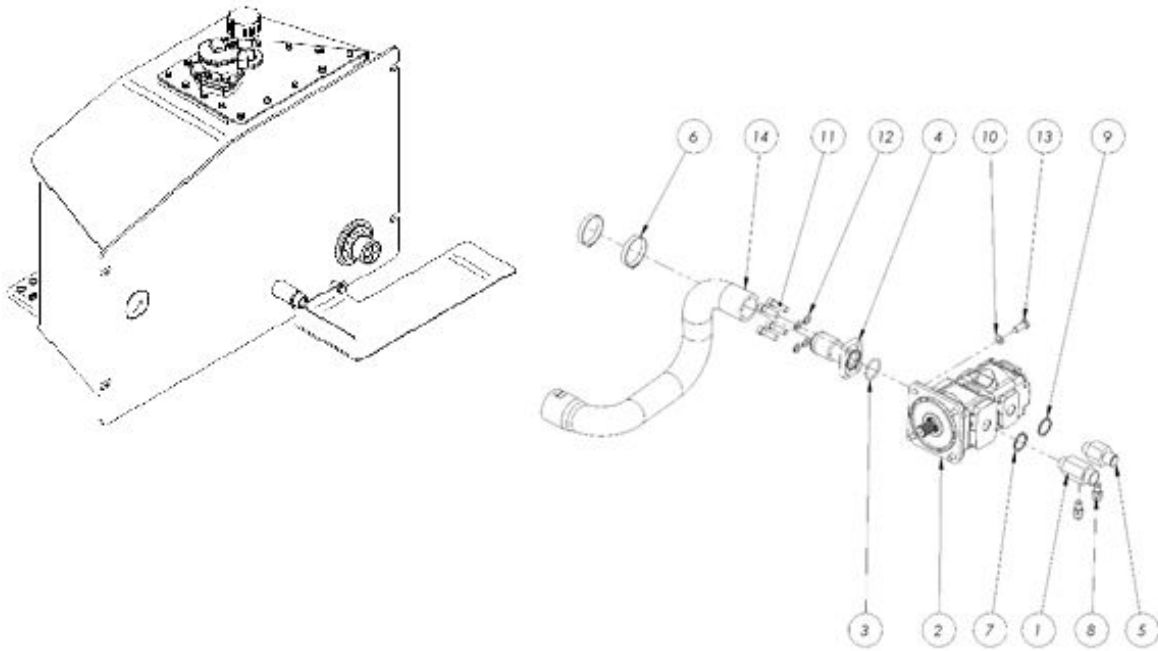
EXCAVATOR BUCKET ASSYSEMBLY (0.12 CUM)
OPTIONAL
(200526120100)

FIGURE NO: - 01.39

S.NO.	Part No	REV	DESCRIPTION	QTY.	REMARKS
1	200526320000	A	BUCKET FAB-S (0.12 CUM)	1	
2	200129201600	A	BUSH EXCAVATOR BUCKET	4	
3	200129300100	B	SHOVEL PIN FAB	2	
4	901301000000	A	NIPPLE GREASE	4	
5	200529200700	A	LOCKING BUSH	2	
6	200128600100	A	TOOTH	1	
7	200128600200	A	SIDE CUTTER LH	1	
8	200128600300	A	SIDE CUTTER RH	1	
9	200526419900	A	PLOUGH BOLT	6	
10	901202000000	A	NUT HEX	10	
11	901102012120	A	BOLT HEX	4	
12	901221000000	A	NUT NYLOCK	2	
13	901101012150	A	BOLT HEX	2	

PUMP ASSEMBLY (200543121400)

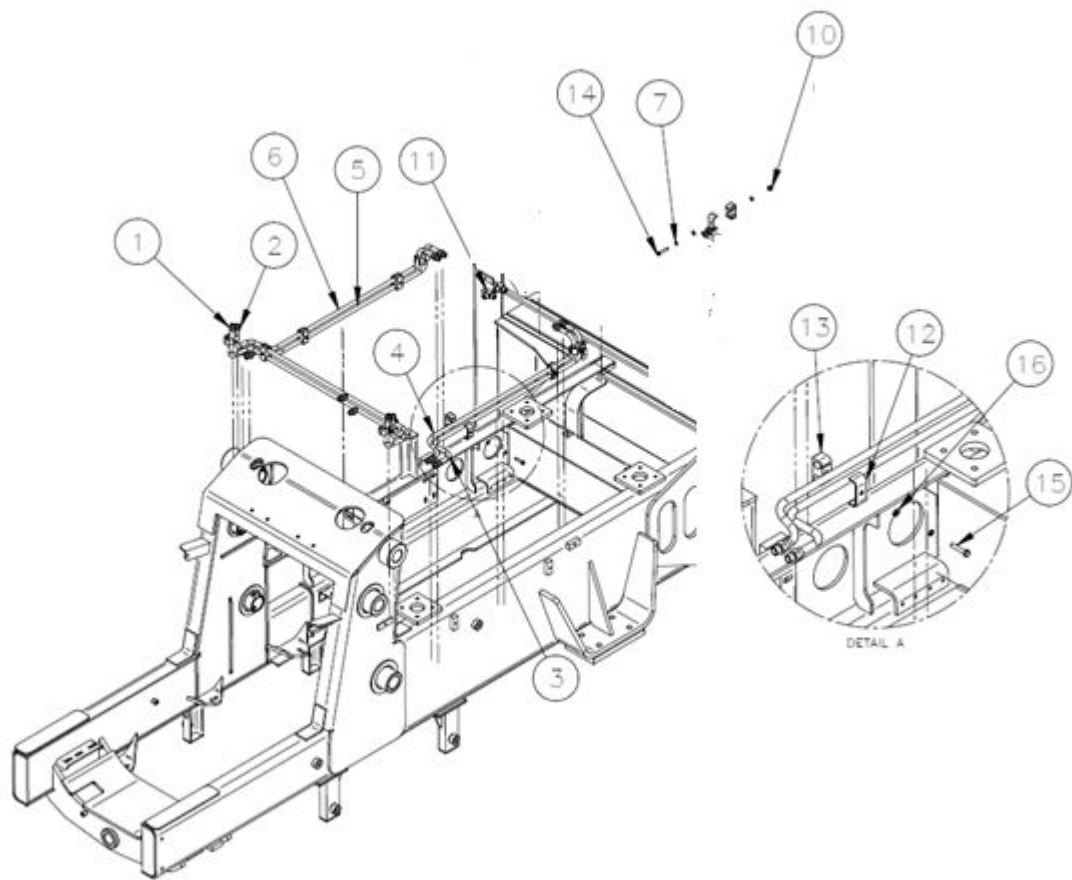
FIGURE NO: - 01.40



S. No	Part No	REV	DESCRIPTION	QTY	REMARKS
1	200541429600	C	ADOPTER- 1-1/16" UNF & 1" BSP, L=50MM ,	1	
2	921200001500	A	TANDEM PUMP-1002332106-(PARKER) AX130	1	
3	200543421100	A	O RING - DIA 42X4MM (SUCTION FLANGE- PARKER)	1	
4	200543121000	B	SUCTION FLANGE (WT- 0.934 KG- PARKER PUMP)	1	
5	200541429800	C	ADOPTER- 3/4" BSP X 1-1/16" -12UN--AX130	1	
6	955402500000	A	HOSE CLAMP 2.5"	4	
7	200145400700	A	DOWTY SEAL 1" BSP	2	
8	925112000100	A	MINIMAX COUPLING 1/4" BSP	2	
9	200145400600	A	DOWTY SEAL 3/4" BSP	2	
10	901611200000	A	SPRING WASHER B-12.	4	
11	902110710070	A	ALLEN BOLT-7/16"-14UNC,L=35MM	4	
12	902610700000	A	SPRING WASHER 7/16"-14 UNC	4	
13	901501212060	A	SCREW HEX M12X30-GR 8.8 ..	2	
14	200543422000	A	PUMP SUCTION HOSE-L=306MM	1	

FEED PIPE SUB ASSEMBLY (200541122000)

FIGURE NO: - 01.41



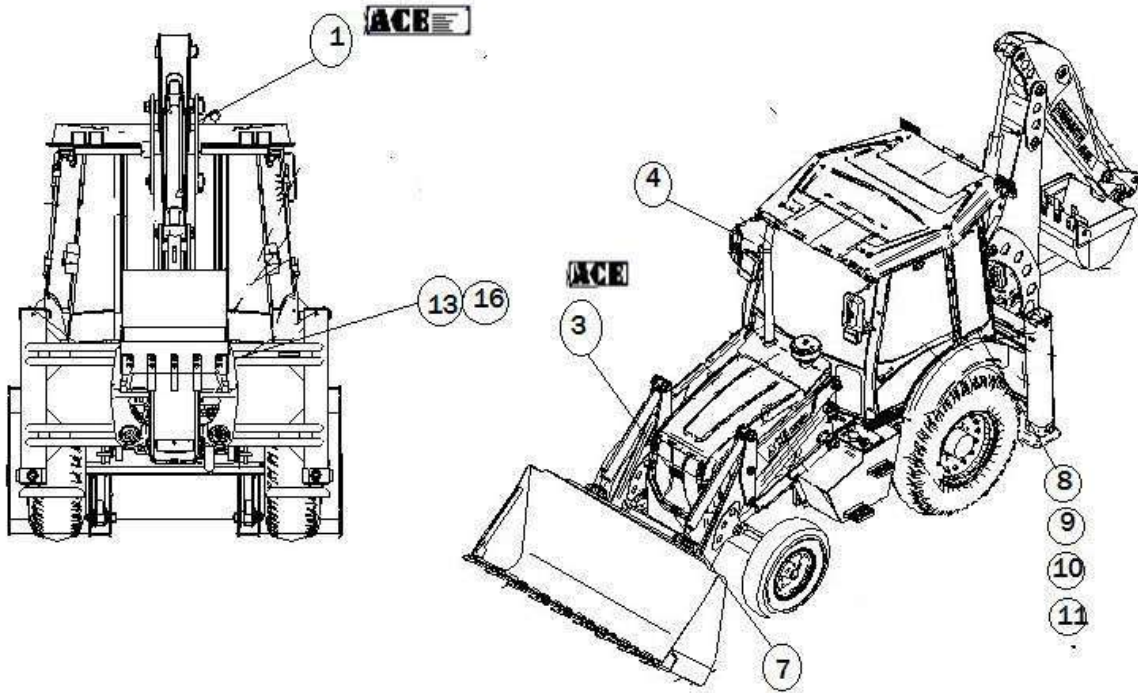
FEED PIPE SUB ASSEMBLY (200541122000)

FIGURE NO: - 01.41

S. No	Part No	REV	DESCRIPTION	QTY	REMARKS
1	200321420000	B	FEED PIPE LOWER	1	
2	200321419900	B	FEED PIPE UPPER	1	
3	200541433500	A	FEED PIPE LOWER-LH	1	
4	200541433600	A	FEED PIPE UPPER-LH	1	
5	200541433700	A	FEED PIPE RH- LOWER,L=979MM	1	
6	200541433800	A	FEED PIPE UPPER,L= 944MM	1	
7	901610800000	A	WASHER SPRING, M8	14	
10	901220800000	A	NUT NYLOCK, M8	2	
11	200541425500	A	`T' ADAPTOR(1/2"BSP)	2	
12	229941433500	A	ATTACHMENT CIRCUIT ASSY.	14	
13	800038210700	A	RUBBER CLAMP 2- DIA 18	14	
14	901100812100	A	BOLT HEX M8X50, GR-8.8	2	
15	901100812080	A	BOLT HEX M8X40,GR-8.8	12	
16	901600800000	A	WASHER PLAIN, M8	16	

DECAL ASSEMBLY (200592120700)

FIGURE NO: - 01.42

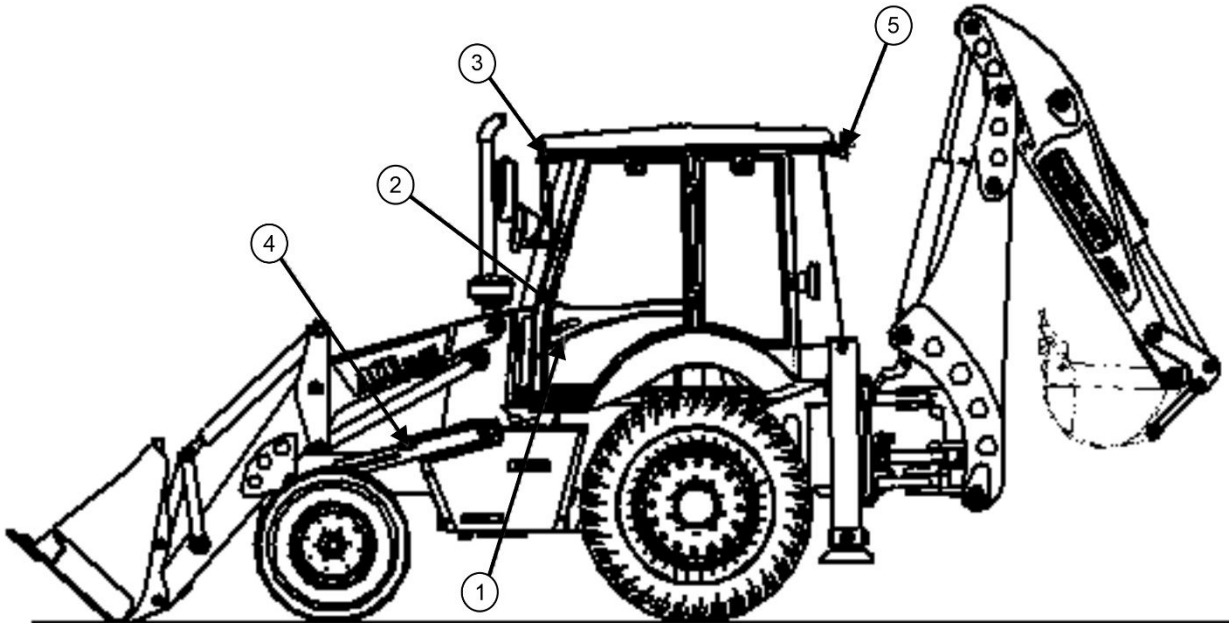


S.NO.	PART NO.	REV	DESCRIPTION	QTY.	REMARKS
1	200192200200	D	ACE NAME PLATE	1	
2	101292422200	E	DATA PLATE	1	
3	200192402600	B	MONOGRAM ACE PLATE	1	
4	101026840300	A	SIDE VIEW MIRROR	1	
5	200193400700	A	OPERATOR MANUAL	1	
6	200391422000	A	PART CATALOGUE	1	
7	901500612040	A	SCREW HEX M6x20	4	
8	970700013600	A	REFLECTOR RED (RECTANGULAR)	2	
9	970700013700	A	REFLECTOR AMBER (RECTANGULAR)	2	
10	970700013800	A	REFLECTOR WHITE (RECTANGULAR)	2	
11	970700012000	A	REFLEXIVE TAPE RED 2"	3	
12	970700012100	A	REFLEXIVE TAPE WHITE 2"	3	

WIRING HARNESS

(200571121900)

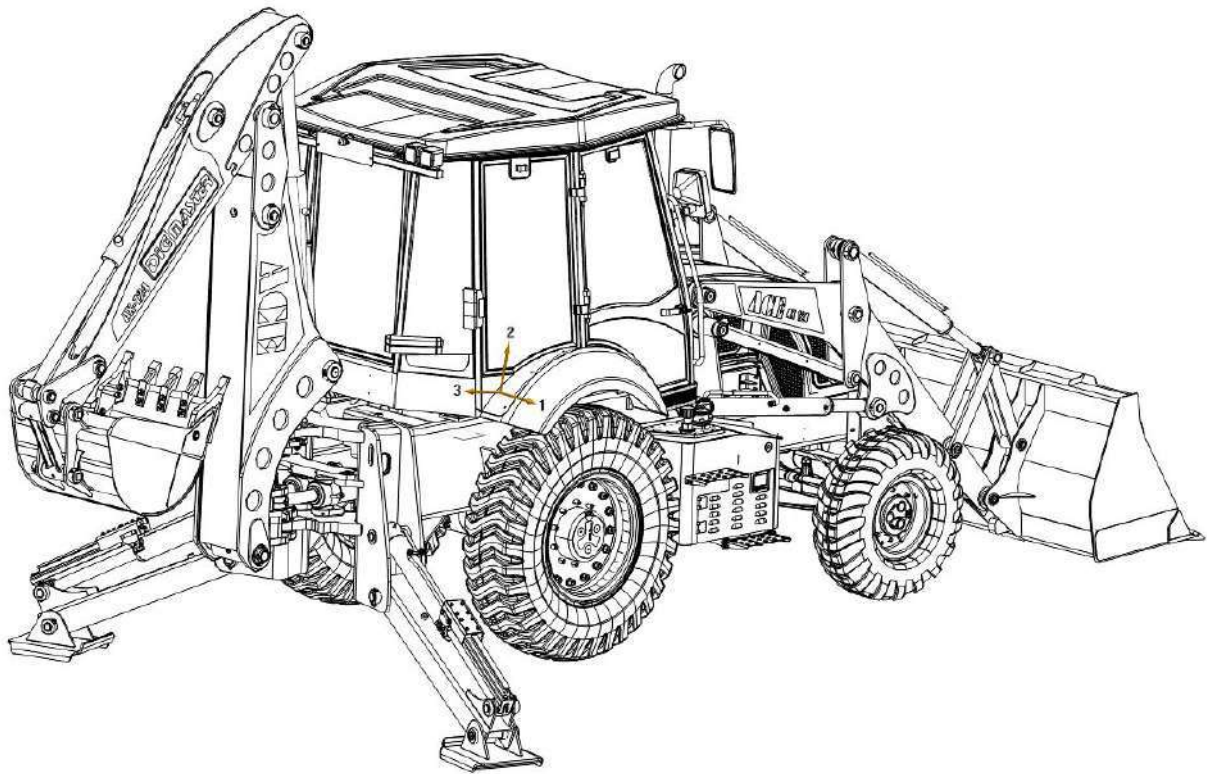
FIGURE NO: - 01.43



S.NO.	PART NO.	REV	DESCRIPTION	QTY.	REMARKS
1	200571120901	A	WIRING HARNESS SET	1	
2	200571120930	A	WIRING HARNESS ENGINE	1	
3	200571120950	A	WIRING HARNESS SIDE DASHBOARD	1	
4	200571120960	A	WIRING HARNESS FRONT DASH BOARD	1	
5	200571120980	A	WIRING HARNESS CABIN.	1	

STICKERS SET (200592120800)

FIGURE NO: - 01.44



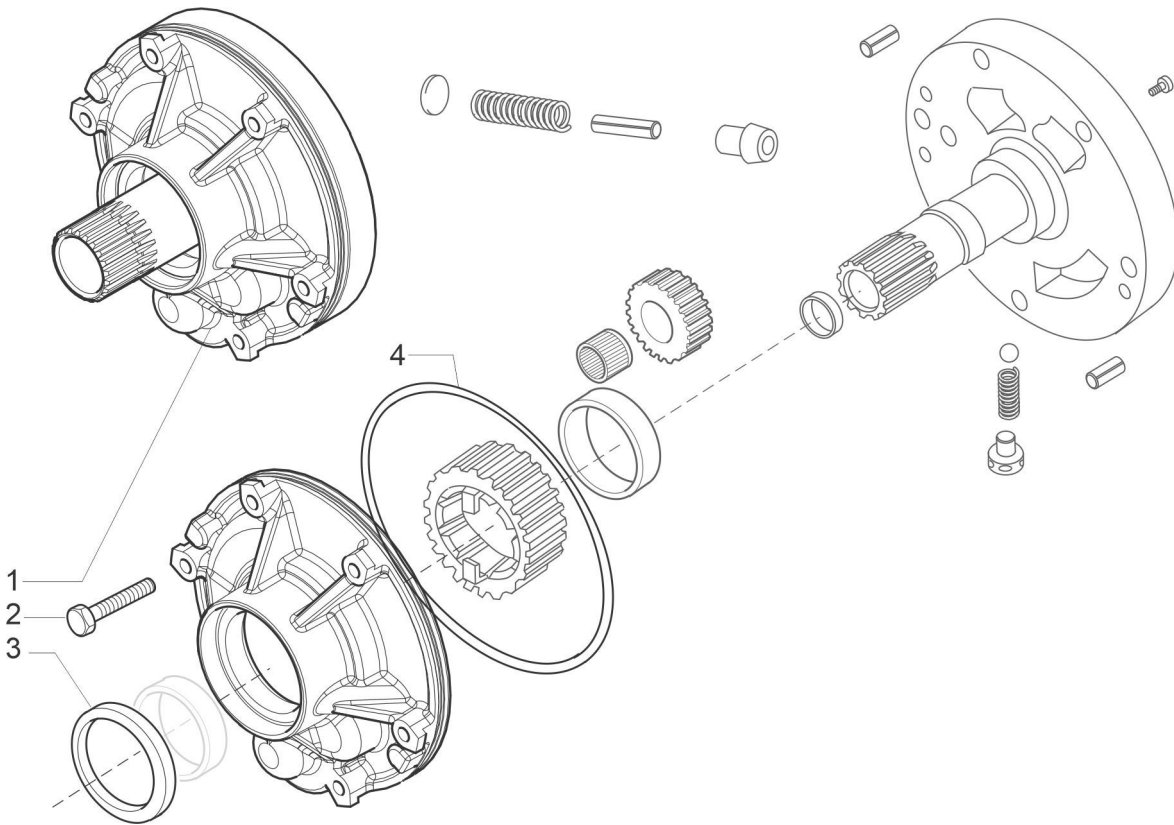
STICKERS SET (200592120800)

FIGURE NO: - 01.44

S.NO.	PART NO.	REV	DESCRIPTION	QTY.	REMARKS
1	200192401300	B	FOR/REV LEVER	1	
2	200192401400	B	AIR PRESSURE	1	
3	200592421500	B	STICKER LOADER LEVER KNOB	1	
4	200592421200	B	STICKER EXCAVATOR LEVER-KNOB RHS	1	
5	200192401700	B	OUTRIGGER	1	
6	200192401800	B	HYDRA CLAMP	1	
7	200192402200	B	PDI OK	1	
8	200192400500	B	CAUTION (N.E.E.S.)	1	
9	200192401000	B	AIR FILTER	1	
10	200292400200	C	DO'S & DON'T (HINDI)	1	
11	200592400200	C	INSTRUCTIONS	1	
12	200292400100	C	DO'S & DON'T (ENGLISH)	1	
13	320192401000	B	HYDRAULIC OIL	1	
14	200592419900	B	FUSE BOX	1	
15	200192402100	B	STICKER LOGO ACE	1	
16	200192402300	B	LOGO ACE	1	
17	200192401900	B	STICKER AX124	2	
19	200192400600	B	DIESEL TANK	2	
20	200192400700	B	SPEED LIMIT	1	
21	200192400200	B	SERVICE PLATE	1	
22	200192401100	B	CAUTION	1	
23	200592421300	B	STICKER GEAR LEVER KNOB	1	
24	180182401400	B	ACE BLACK	1	
25	200592421400	B	STICKER EXCAVATOR LEVER	1	
26	200592400100	A	LOGO ACE-5"x2"	1	
27	200592420500	C	STICKER DIG MASTER	2	
28	200592420600	C	STICKER AX124	2	

OIL PUMP

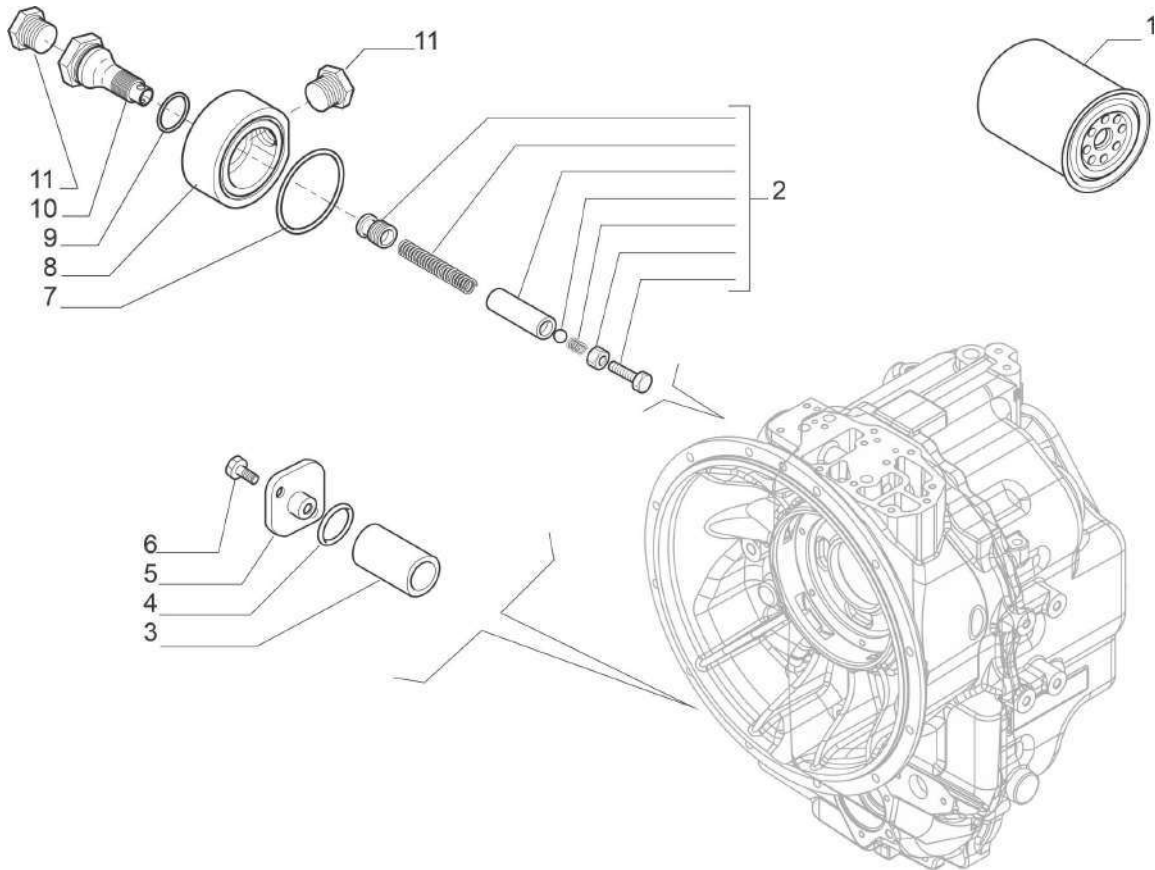
FIGURE NO: - 02.01



S. No	Part No	REV	DESCRIPTION	QTY	REMARKS
1	200383419900	A	PUMP ASSEMBLY	1	135190
2	200383420000	A	BOLT M8X60	9	20803
3	200383420100	A	SEAL RING	1	133566
4	200383420200	A	O, RING	1	28561

OIL FILTER

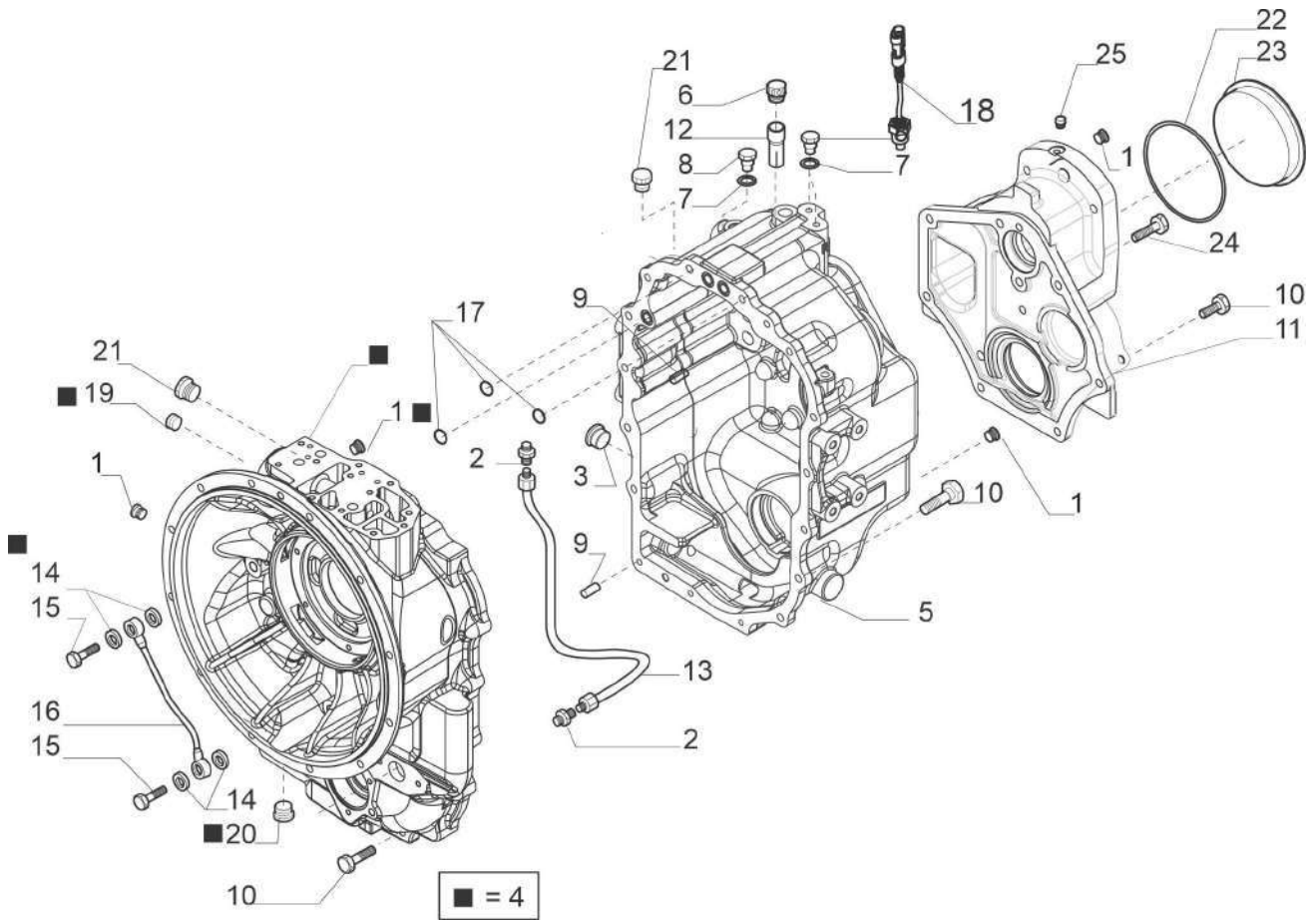
FIGURE NO: - 02.02



S. No	Part No	REV	DESCRIPTION	QTY	REMARKS
1	200383420300	A	OIL FILTER	1	40701
2	200383420400	A	VALVE KIT	1	133070
3	200383420500	A	OIL FILTER	1	135859
4	200383420600	A	O RING	1	28131
5	200383420700	A	COVER	1	381413
6	200383420800	A	BOLT M8X18	2	20777
7	200383420900	A	O RING	1	28513
8	200383421000	A	COVER	1	148431
9	200383421100	A	O RING	1	28171
10	200383421200	A	OIL FILTER CONNECTION	1	148430
11	200383421300	A	PLUG	2	30745

TRANSMISSION HOUSING

FIGURE NO: - 02.03



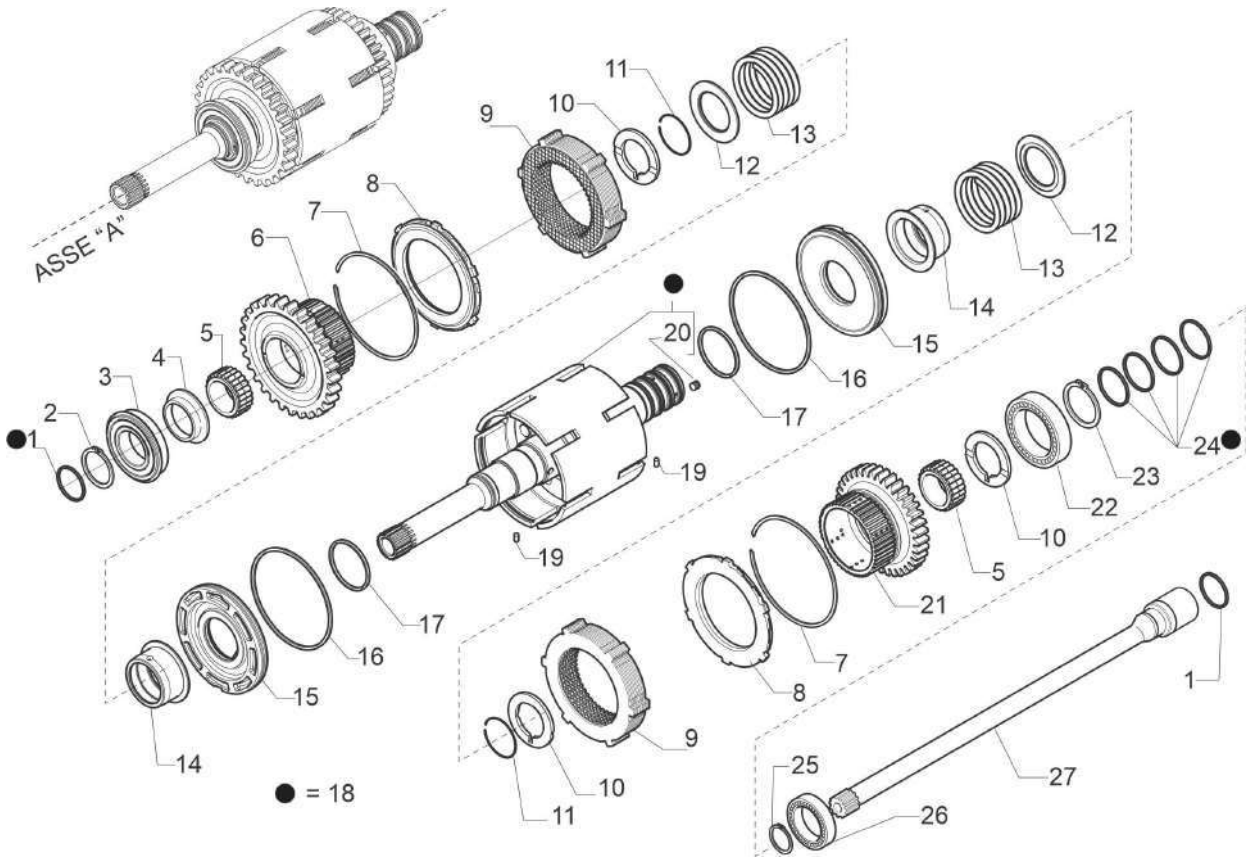
TRANSMISSION HOUSING

FIGURE NO: - 02.03

S. No	Part No	REV	DESCRIPTION	QTY	REMARKS
1	200383421400	A	PLUG	5	21570
2	200383421500	A	CONNECTION	2	131364
3	200383421600	A	OIL PLUG M30X2	1	125280
4	200383421700	A	FRONT HALF HOUSING KIT	1	644189
5	200383421800	A	REAR HALF HOUSING	1	393090
6	200383421900	A	BREATHER	1	30368
7	200383422000	A	COPPER WASHER 10X14X1.5	3	23260
8	200383422100	A	PLUG	3	21322
9	200383422200	A	PIN D10X25	3	72259
10	200383422300	A	BOLT M10X30	22	20852
11	200383422400	A	COVER	1	644150
12	200383422500	A	BREATHER PIPE	1	139278
13	200383422600	A	OIL PIPE	1	130393
14	200383422700	A	COPPER WASHER	4	23272
15	200383422800	A	BOLT M14X1.5	2	130663
16	200383422900	A	LUBRICATION PIPE	1	132634
17	200383423000	A	O RING	3	28560
18	200383423100	A	SENSOR	1	635446
19	200383423200	A	PLUG M14X1.5	1	21557
20	200383423300	A	PLUG	1	21582
21	200383423400	A	PLUG 7/8	2	30745
22	200383423500	A	O RING	1	28571
23	200383423600	A	PLUG D 127.5	1	145717
24	200383423700	A	BOLT M10X45	2	20858
25	200383423800	A	PLUG	1	30773

INPUT AND PTO TRANSMISSION SHAFTS

FIGURE NO: - 02.04



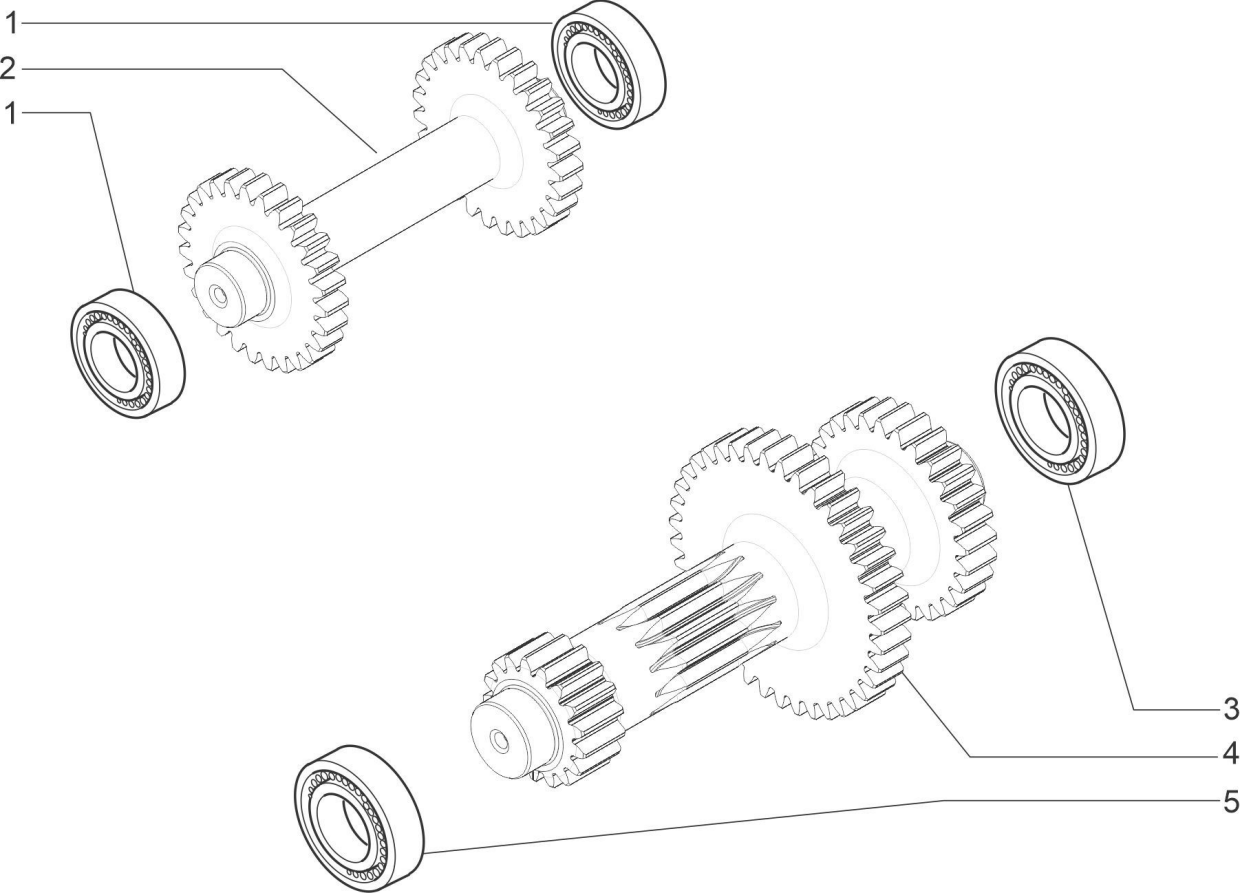
INPUT AND PTO TRANSMISSION SHAFTS

FIGURE NO: - 02.04

S. No	Part No	REV	DESCRIPTION	QTY	REMARKS
1	200383423900	A	SEAL RING D45	2	139197
2	200383424000	A	CIRCLIP D45	1	24800
3	200383424100	A	BEARING	1	26160
4	200383424200	A	SPACER 68X45X105	1	139011
5	200383424300	A	NEEDLE CAGE	2	27956
6	200383424400	A	GEAR Z35	1	138973
7	200383424500	A	SNAP RING	2	25067
8	200383424600	A	CLUTCH PLATE LOCKRING	2	135020
9	200383424700	A	CLUTCH DISCS/ COUNTERPLATES ASSY	2	149306
10	200383424800		SPACER 60X50X4	3	132986
11	200383424900	A	CIRCLIP D50	2	25031
12	200383425000	A	LOCK-SPRING COVER	2	133912
13	200383425100	A	SPRING	2	139351
14	200383425200	A	CLUTCH SLEEVE	2	138984
15	200383425300	A	CLUTCH PISTON	2	138983
16	200383425400	A	SEAL RING	2	139199
17	200383425500	A	SEAL RING D55	2	139198
18	200383425600	A	INNER SHAFT (ASSY)	1	68354
19	200383425700	A	SPLIT PIN D3X8	2	24321
20	200383425800	A	RIVET D6X5,84	4	23835
21	200383425900	A	GEAR Z29 (FWD)	1	138974
22	200383426000	A	BALL BEARING	1	25811
23	200383426100	A	CIRCLIP D50	1	24805
24	200383426200	A	SEAL RING D50	4	142858
25	200383426300	A	CIRCLIP D30	1	24785
26	200383426400	A	BEARING	1	25735
27	200383426500	C	PTO TRANSMISSION SHAFT	1	147389

REVERSE SHAFT (AXE D) AND PRIMARY SHAFT (AXE B)

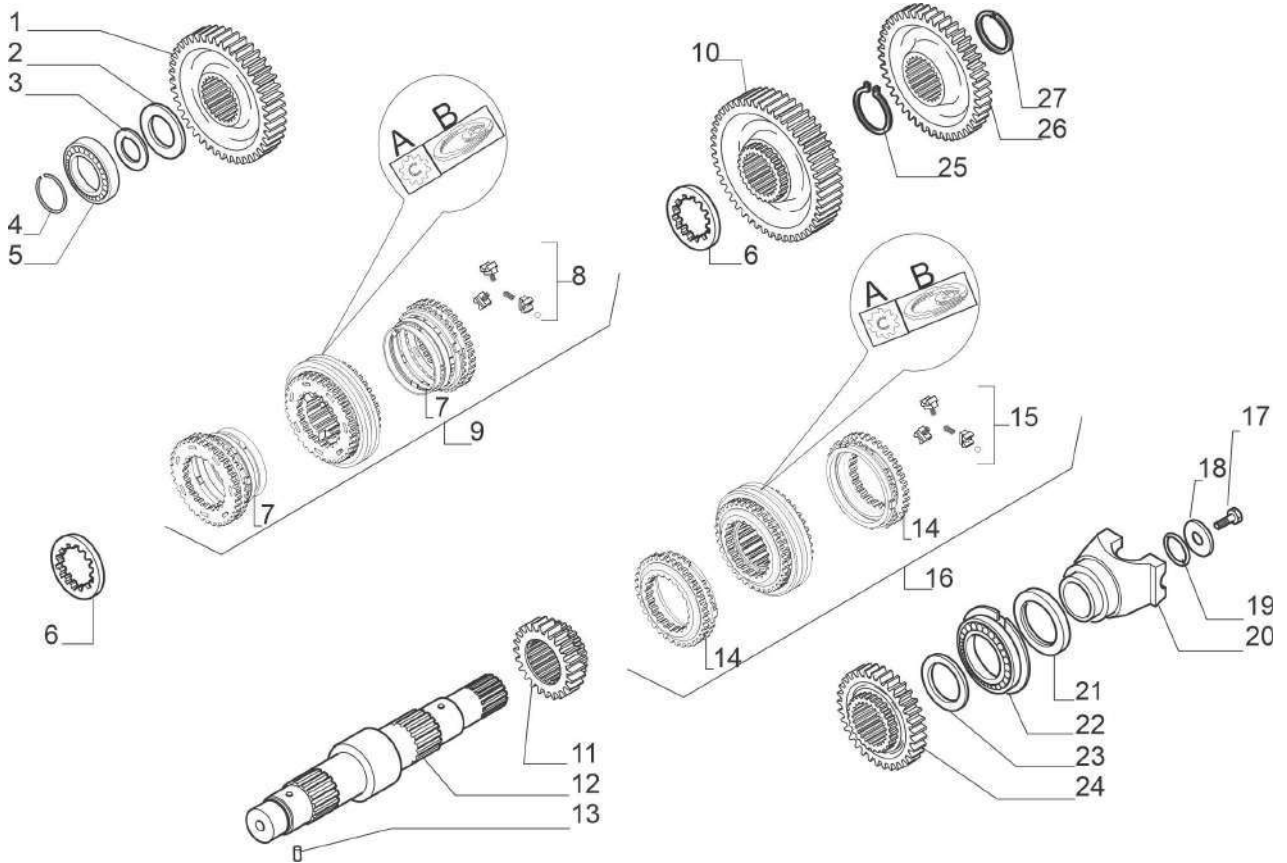
FIGURE NO: - 02.05



S. No	Part No	REV	DESCRIPTION	QTY	REMARKS
1	200183432300	A	BEARING	2	
2	200183401000	A	REVERSE SHAFT Z27	1	
3	932900083200	A	BEARING	1	
4	938900083300	A	PRIMARY SHAFT	1	
5	200183401300	A	BEARING	1	

SECONDARY SHAFT (AXE C)

FIGURE NO: - 02.06



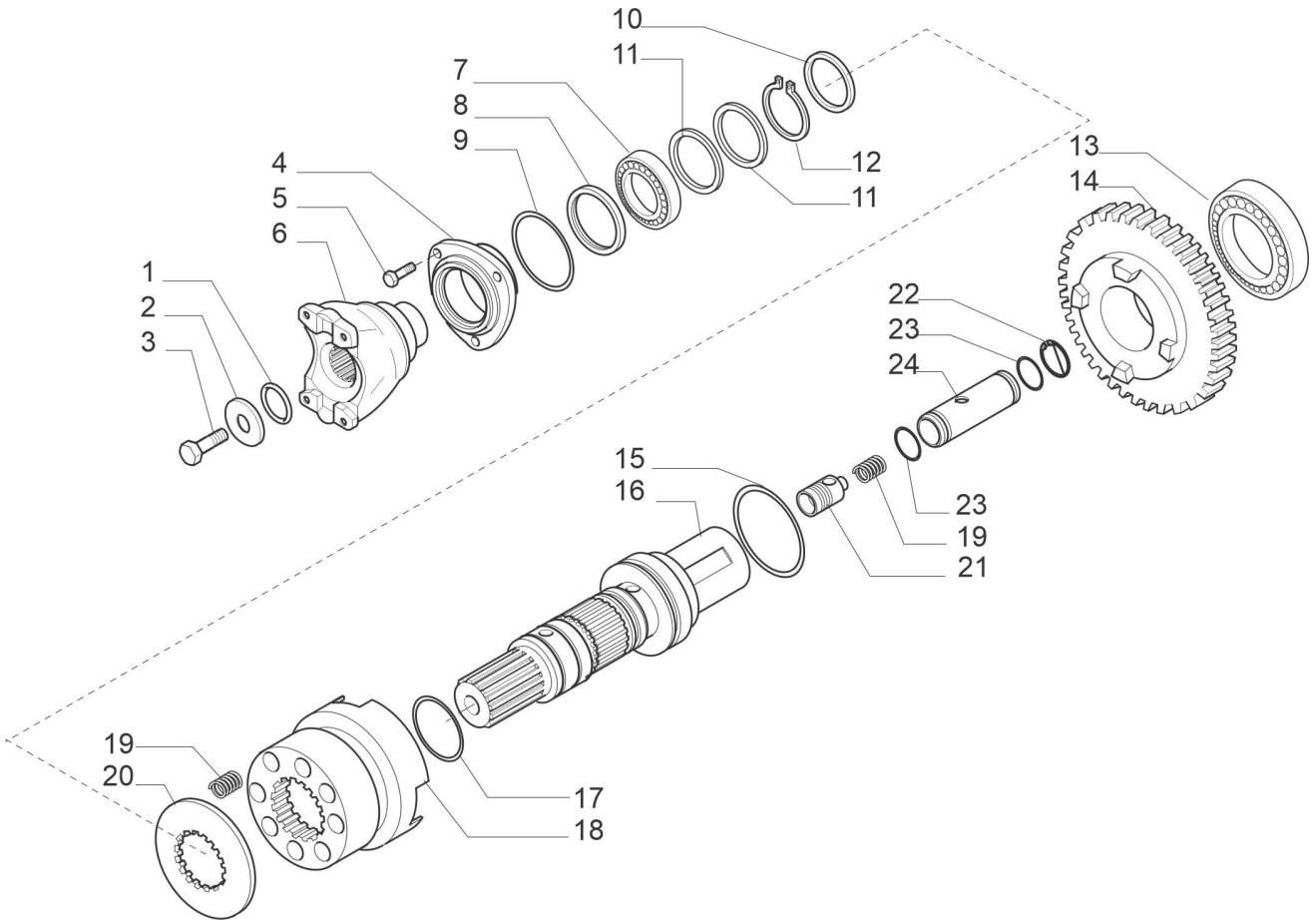
SECONDARY SHAFT (AXE C)

FIGURE NO: - 02.06

S. No	Part No	REV	DESCRIPTION	QTY	REMARKS
1	200383426600	A	GEAR Z=44	1	145134
2	200383426700	A	THRUST WASHER	1	139010
3	200383426800	A	SHIM 0.05 MM		132813
3	200383426900	A	SHIM 0.10 MM		132814
3	200383427000	A	SHIM 0.30 MM		132815
3	200383427100	A	SHIM 0.50		133360
4	200383427200	A	LOCK RING D.40	1	25053
5	200383427300	A	BEARING	1	27554
6	200383427400	A	SPACER	2	132867
7	200383427500	A	RINGS KIT	1	64068
7	200383427600	A	RINGS KIT	1	64070
8	200383427700	A	SPRING KIT	1	64067
8	200383427800	A	SPRING KIT	1	64069
9	200383427900	A	SYNCHRONIZING KIT	1	132637
10	200383428000	A	GEAR Z=50	1	145133
11	200383428100	A	GEAR Z= 23	1	138970
12	200383428200	A	SECONDARY SHAFT	1	138971
13	200383428300	A	SPLIT PIN D3X8	1	24321
14	200383428400	A	RINGS KIT	1	64071
14	200383428500	A	RINGS KIT	1	64065
15	200383428600	A	SPRING KIT	1	46331
15	200383428700	A	SPRING KIT	1	64066
16	200383428800	A	SYNCHRONIZING KIT	1	138548
17	200383428900	A	BOLT M12X25	1	123918
18	200383429000	A	WASHER	1	129924
19	200383429100	A	O RING	1	28623
20	200383429200	A	FLANGE	1	137303
21	200383429300	A	OIL SEAL	1	25485
22	200383429400	A	BEARING	1	26190
23	200383429500	A	THRUST WASHER	1	138985
24	200383429600	A	GEAR Z=33	1	138969
25	200383429700	A	Lock Ring D70	1	24817
26	200383429800	A	Gear Z45	1	144661
27	200383429900	A	Lock Ring D70	1	25061

4WD SHAFT

FIGURE NO: - 02.07



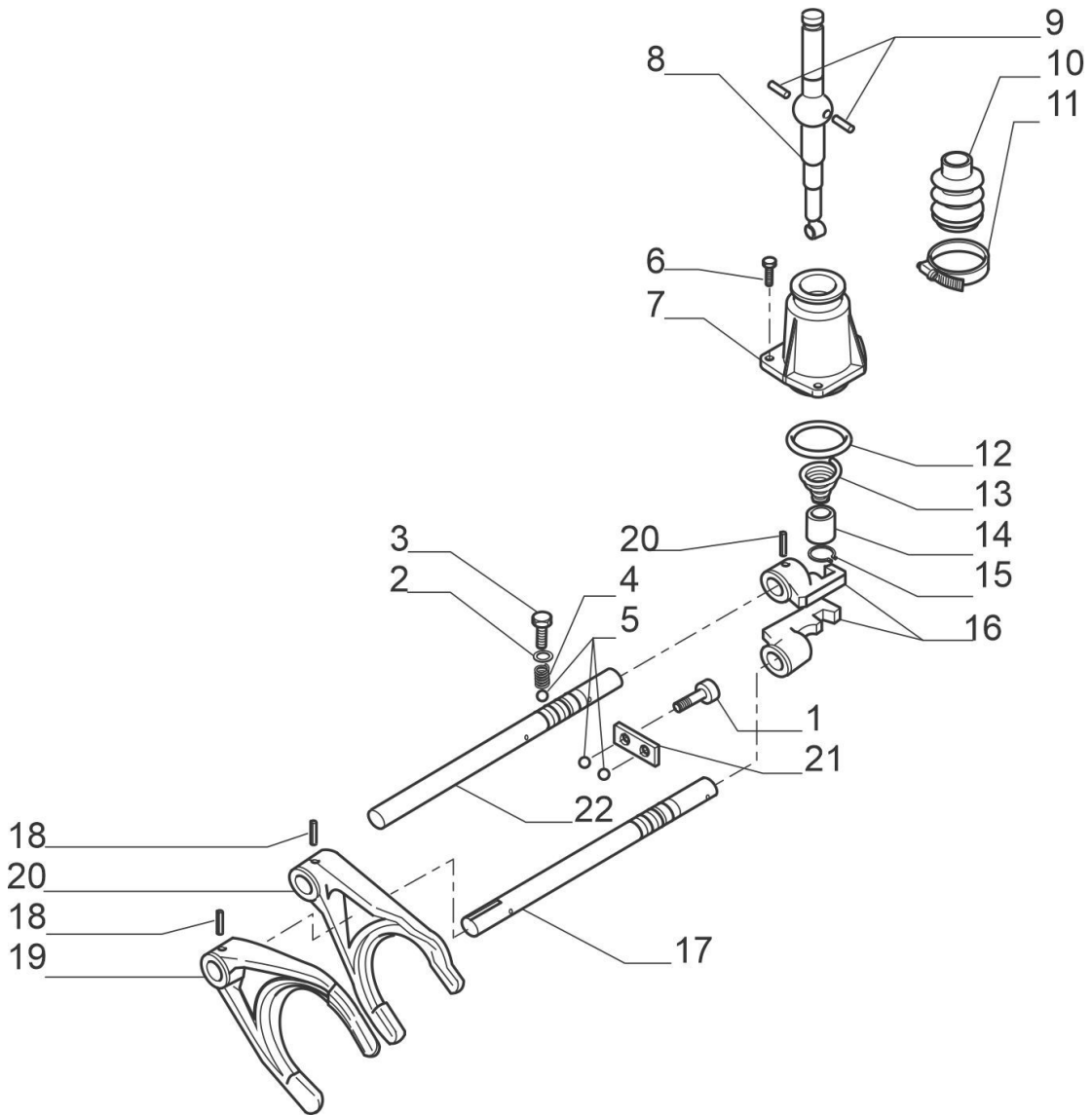
4WD SHAFT

FIGURE NO: - 02.07

S. No	Part No	REV	DESCRIPTION	QTY	REMARKS
1	200383430000	A	O RING	1	28121
2	200383430100	A	WASHER 44X12.5X 5	1	123921
3	200383430200	A	BOLT M12X25 (SELF LOCK)	1	123918
4	200383430300	A	FRONT COVER	1	131159
5	200383430400	A	BOLT M8X 22	3	20780
6	200383430500	A	FLANGE	1	137302
7	200383430600	A	BEARING	1	25808
8	200383430700	A	SEAL RING 50X65X8	1	25484
9	200383430800	A	O RING	1	28613
10	200383430900	A	WASHER	1	125831
11	200383431000	A	SEAL RING D45	2	139197
12	200383431100	A	SNAP RING D45	1	24799
13	200383431200	A	BEARING	1	25829
14	200383431300	A	GEAR Z=36	1	145284
15	200383431400	A	O RING	1	33027
16	200383431500	A	OUTPUT SHAFT	1	145283
17	200383431600	A	O RING	2	28141
18	200383431700	A	SLEEVE	1	138981
19	200383431800	A	SPRING	9	125209
20	200383431900	A	SPACER	1	138982
21	200383432000	A	VALVE	1	139791
22	200383432100	A	SNAP RING	1	24866
23	200383432200	A	O RING	2	28600
24	200383432300	A	CYLINDER	1	139790

SPEED CONTROLS

FIGURE NO: - 02.08



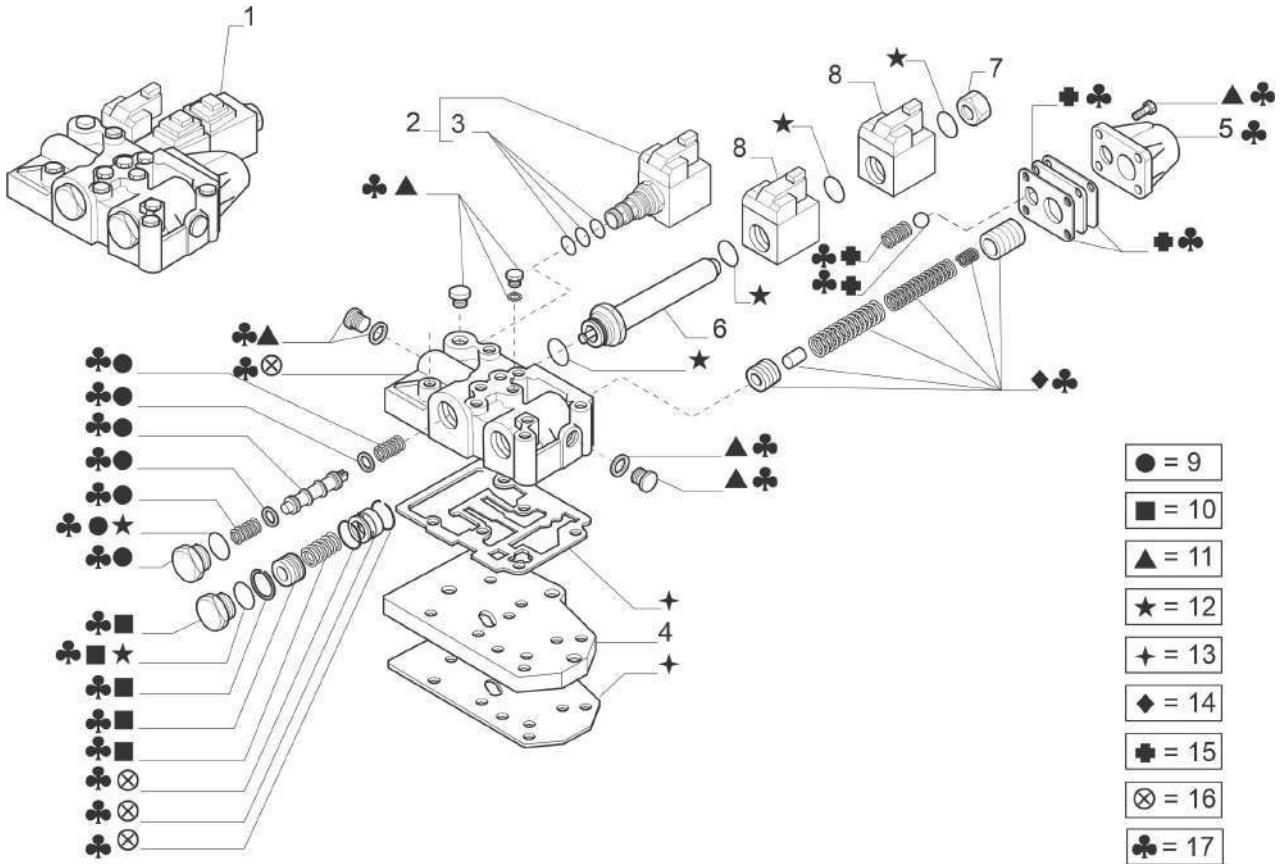
SPEED CONTROLS

FIGURE NO: - 02.08

S. No	Part No	REV	DESCRIPTION	QTY	REMARKS
1	200383432400	A	BOLT M10X20	2	21407
2	200383432500	A	WASHER 12X20X1.5	2	23288
3	200383432600	A	BOLT	2	138003
4	200383432700	A	SPRING	2	71352
5	200383432800	A	BALL D10	4	28270
6	200383432900	A	BOLT M8X25	3	21393
7	200383433000	A	COVER	1	384373
8	200383433100	A	CONTROL LEVER	1	384374
9	200383433200	A	PIN D6X14	2	117385
10	200383433300	A	BOOT	1	117330
11	200383433400	A	CLAMP	1	130404
12	200383433500	A	O RING	1	28205
13	200383433600	A	SPRING	1	138308
14	200383433700	A	BUSH	1	138309
15	200383433800	A	SNAP RING D17	1	24772
16	200383433900	A	SHIFTER	2	384377
17	200383434000	A	ROD	1	384375
18	200383434100	A	SPLIT PIN 6X30	4	24444
19	200383434200	A	DRIVE FORK 1 ^A /2 ^A	1	130305
20	200383434300	A	DRIVE FORK 3 ^A /4 ^A	1	130304
21	200383434400	A	PLATE	1	130306
22	200383434500	A	ROD	1	384376

CONTROL VALVE

FIGURE NO: - 02.09



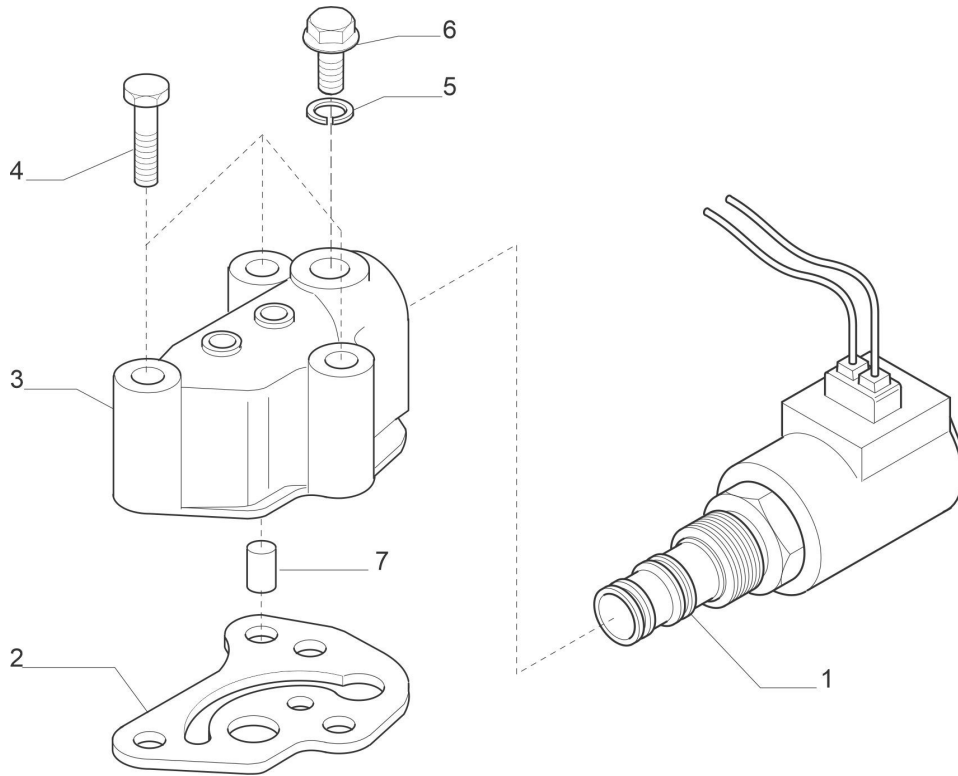
CONTROL VALVE

FIGURE NO: - 02.09

S. No	Part No	REV	DESCRIPTION	QTY	REMARKS
1	200383434600	A	CONTROL VALVE	1	
2	200383434700	A	ELECTRO VALVE	1	644561
3	200383434800	A	SEAL KIT	1	146640
4	200383434900	A	FEEDING PLATE	1	
5	200383435000	A	VALVE COVER	1	644561
6	200383435100	A	SOLENOID PIPE	1	644561
7	200383435200	A	PLUG	1	644561
8	200383435300	A	ELECTR-VALVE COIL	2	644561
9	200383435400	A	FWD/RVS SPOOL KIT	1	644561
10	200383435500	A	FLOW DIVIDER PISTON KIT	1	644561
11	200383435600	A	BOLTS KIT	1	644561
12	200383435700	A	SEAL RINGS KIT	1	644561
13	200383435800	A	GASKETS KIT	1	
14	200383435900	A	MODULATION VALVE KIT	1	644561
15	200383436000	A	PLATE KIT	1	644561
16	200383436100	A	CONTROL VALVE BODY KIT	1	644561
17	200383436200	A	BODY VALVE ASSY	1	

SOLENOID VALVE

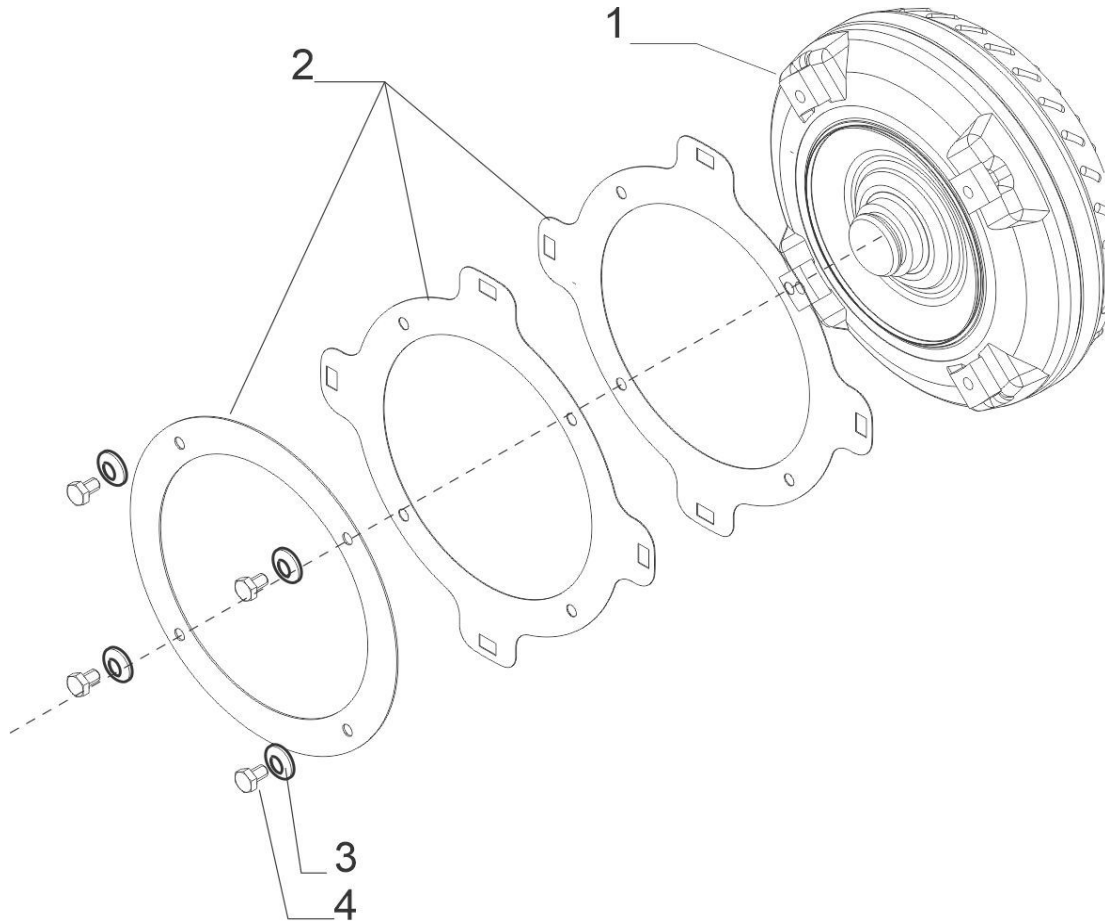
FIGURE NO: - 02.10



S. No	Part No	REV	DESCRIPTION	QTY	REMARKS
1	200383436300	A	4WD ELETRO VALVE	1	146354
2	200383436400	A	GASKET	1	141002
3	200383436500	A	HOUSING	1	139850
4	200383436600	A	BOLT M8X60	3	20803
5	200383436700	A	COPPER WASHER 10X14X1.5	1	23260
6	200383436800	A	PLUG	1	21322
7	200383436900	A	VALVOLA	1	134000

TORQUE CONVERTER

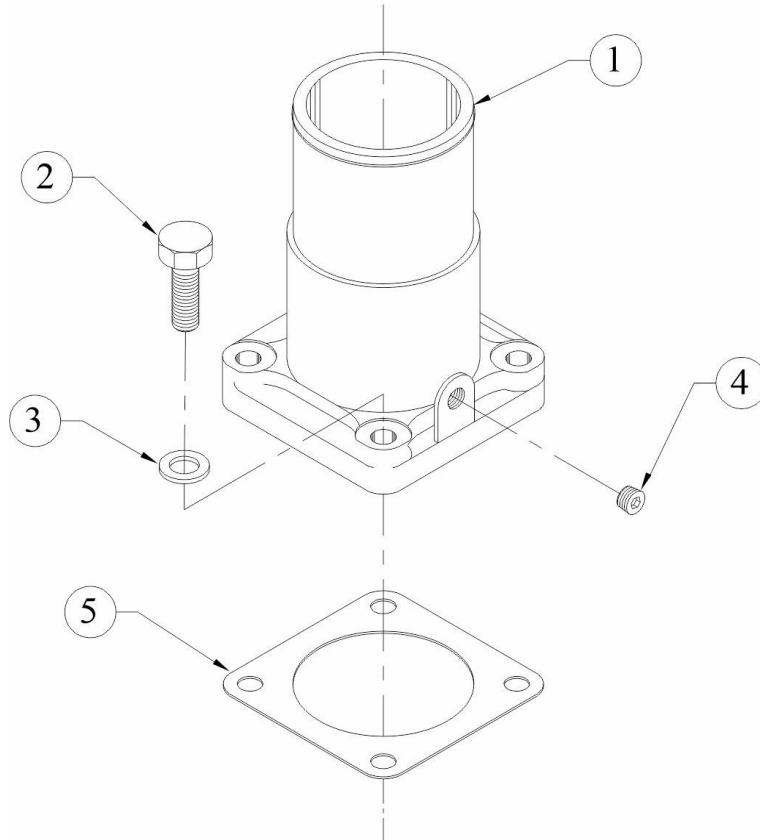
FIGURE NO: - 02.11



S. No	Part No	REV	DESCRIPTION	QTY	REMARKS
1	200183436900	A	CONVERTER	1	
2	932900084500	A	FLYWHEEL TOWING PLATE	1	
3	200183437100	A	SPRING WASHER	4	
4	923900084600	A	BOLT M10X20	4	

ADAPTOR FOR INELT MANIFOLD

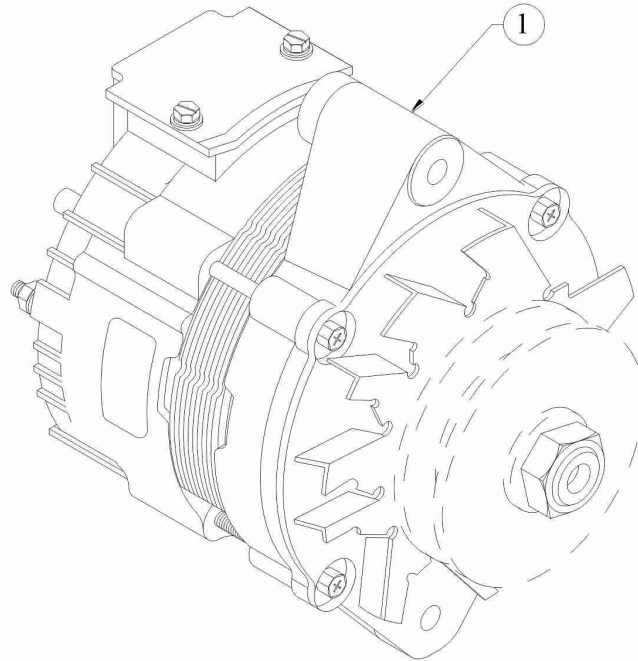
FIGURE NO: - 03.01



S. No	Part No	REV	DESCRIPTION	QTY	REMARKS
1	957000000000	A	ADAPTOR FOR AIR CLEANER FOR ACE	1	
2	957000000010	A	SET SCREW - M8X1.25X30 - 8.8	4	
3	957000000020	A	PLAIN MACHINED WASHER - M8	4	
4	957000000030	A	HEADLESS PIPE PLUG 1/8"-27 NPTF	1	
5	957000000040	A	JOINT (FOR AIR PIPE)	1	

ALTERNATOR 12V

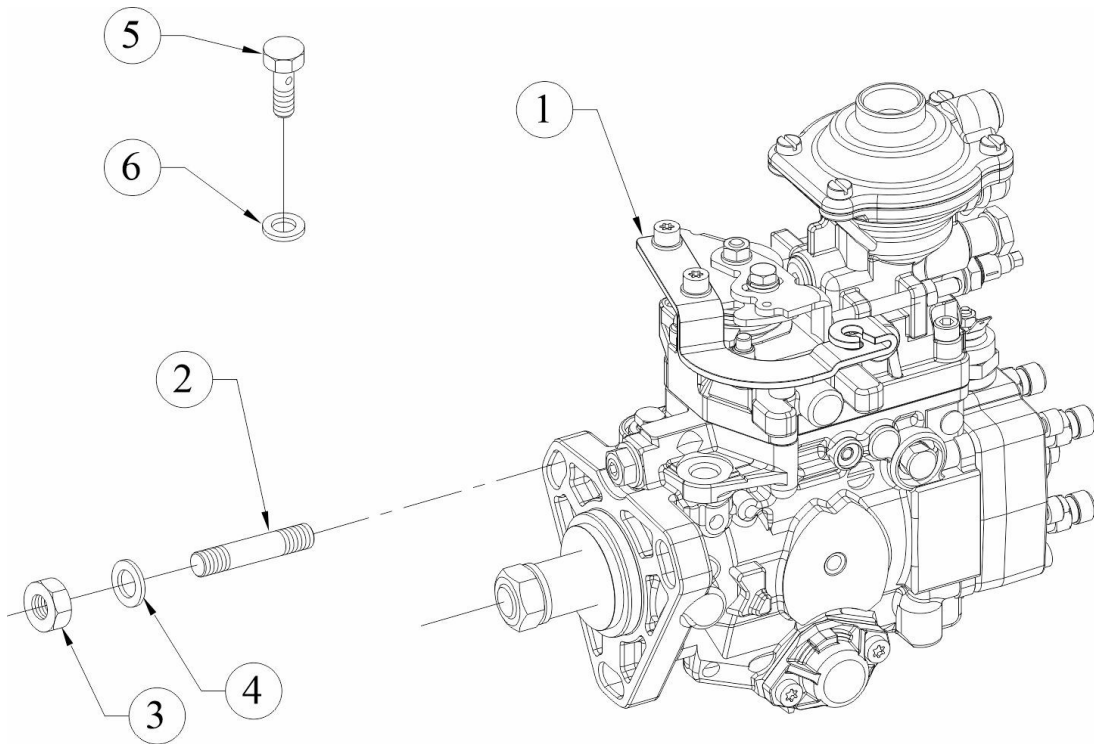
FIGURE NO: - 03.02



S. No	Part No	REV	DESCRIPTION	QTY	REMARKS
1	9570000000	A	ALTERNATOR 12 V	1	

BOSCH ROTARY FIP FOR 4R1040TA2 ENGINE (96 HP @ 2200 RPM)

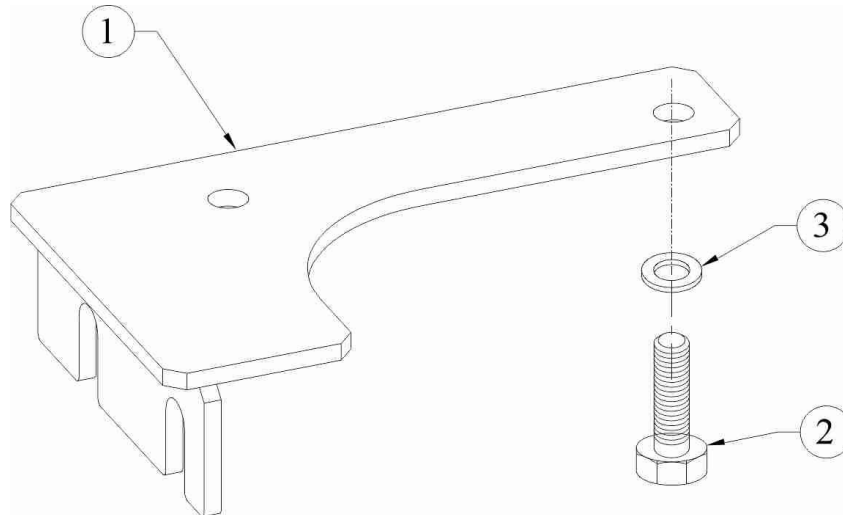
FIGURE NO: - 03.03



S. No	Part No	REV	DESCRIPTION	QTY	REMARKS
1	957000000060	A	BOSCH ROTARY FIP FOR 4R1040TA2 ENGINE (96 HP @ 2200 RPM, BOSCH PART NO. B 460 816 784 03)	1	
2	957000000070	A	STUD - M8X1.25X30 - 8.8	3	
3	957000000080	A	NUT- M8X1.25 - GR.8.8	3	
4	957000000090	A	WASHER FOR FUEL PUMP GEAR.	3	
5	957000000100	A	BANJO BOLT - M12X1.5	1	
6	957000000110	A	COPPER WASHER (14X18)	2	

BRACKET FOR MOUNTING ACCELERATOR & STOP CABLE

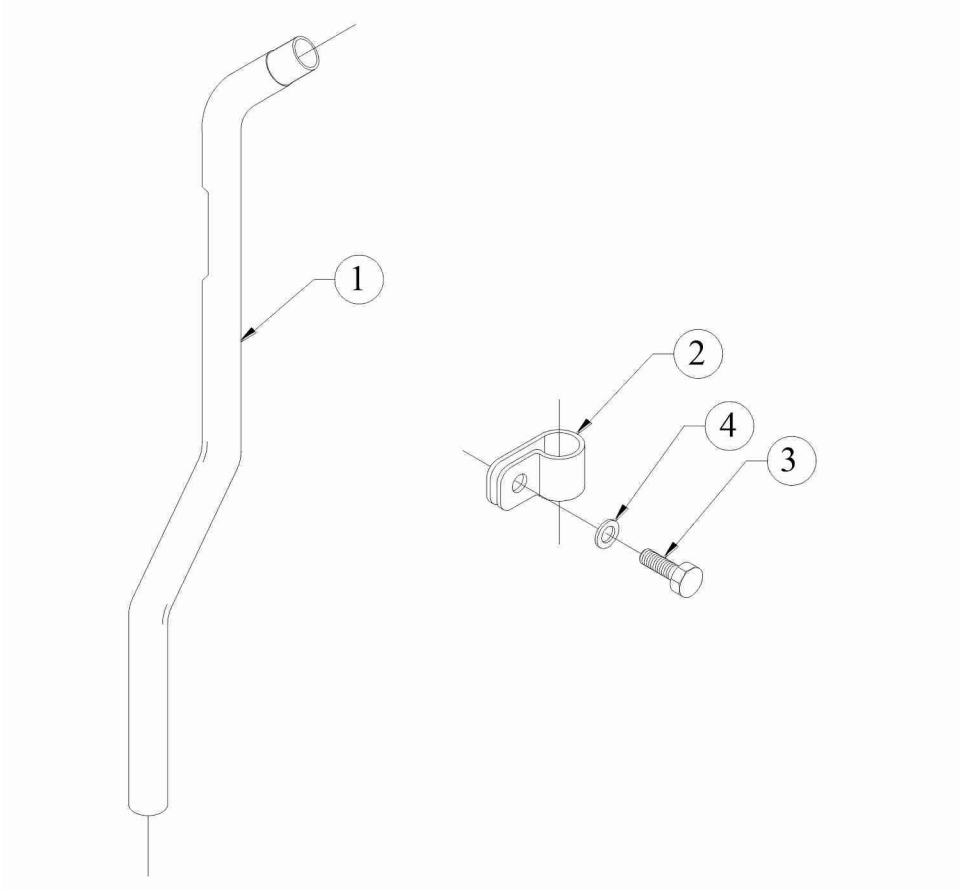
FIGURE NO: - 03.04



S. No	Part No	REV	DESCRIPTION	QTY	REMARKS
1	957000000120	A	BRACKET FOR ACCELERATOR & STOP CABLE MTG.	1	
2	957000000130	A	SET SCREW - M10X1.5X20 - 8.8	1	
3	957000000140	A	PLAIN MACHINED WASHER - M10	2	

BREATHER PIPE (TURBO ENGINE)

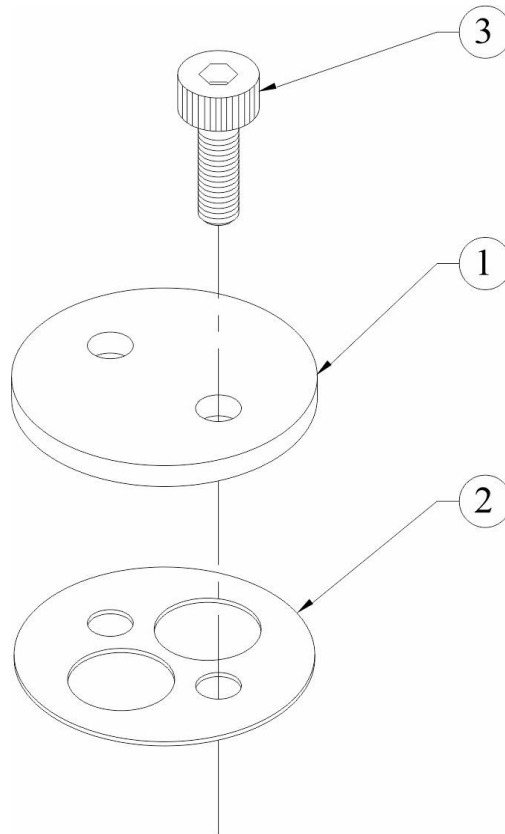
FIGURE NO: - 03.05



S. No	Part No	REV	DESCRIPTION	QTY	REMARKS
1	957000000150	A	BREATHER PIPE	1	
2	957000000160	A	CLIP FOR BREATHER PIPE	1	
3	957000000170	A	SET SCREW - M8X1.25X16 - 8.8	1	
4	957000000180	A	PLAIN MACHINED WASHER - M8	1	

COVER PLATE FOR OIL FILLING ON GEAR CASING

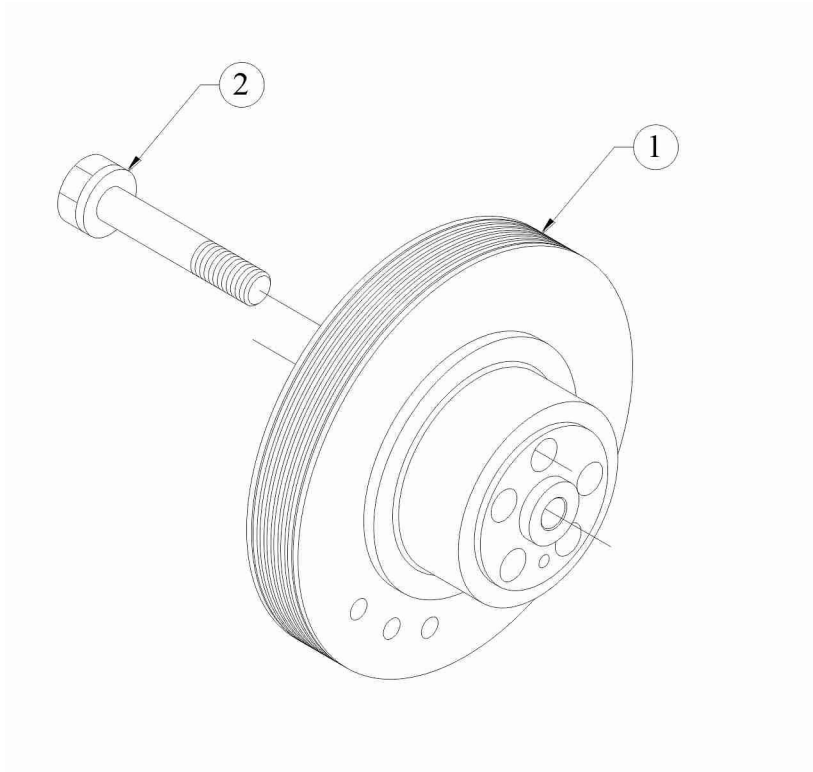
FIGURE NO: - 03.06



S. No	Part No	REV	DESCRIPTION	QTY	REMARKS
1	957000000190	A	COVER PLATE FOR OIL FILLING HOLE ON GEAR CASING	1	
2	957000000200	A	JOINT FOR OIL FILLING BODY PTL (ARMSTRONG TS13)	1	
3	957000000210	A	SOCKET HEAD SCREW - M8X1.25X16 - 8.8	2	

CRANK SHAFT PULLEY WITH POLY V GROOVE (P6PK200)

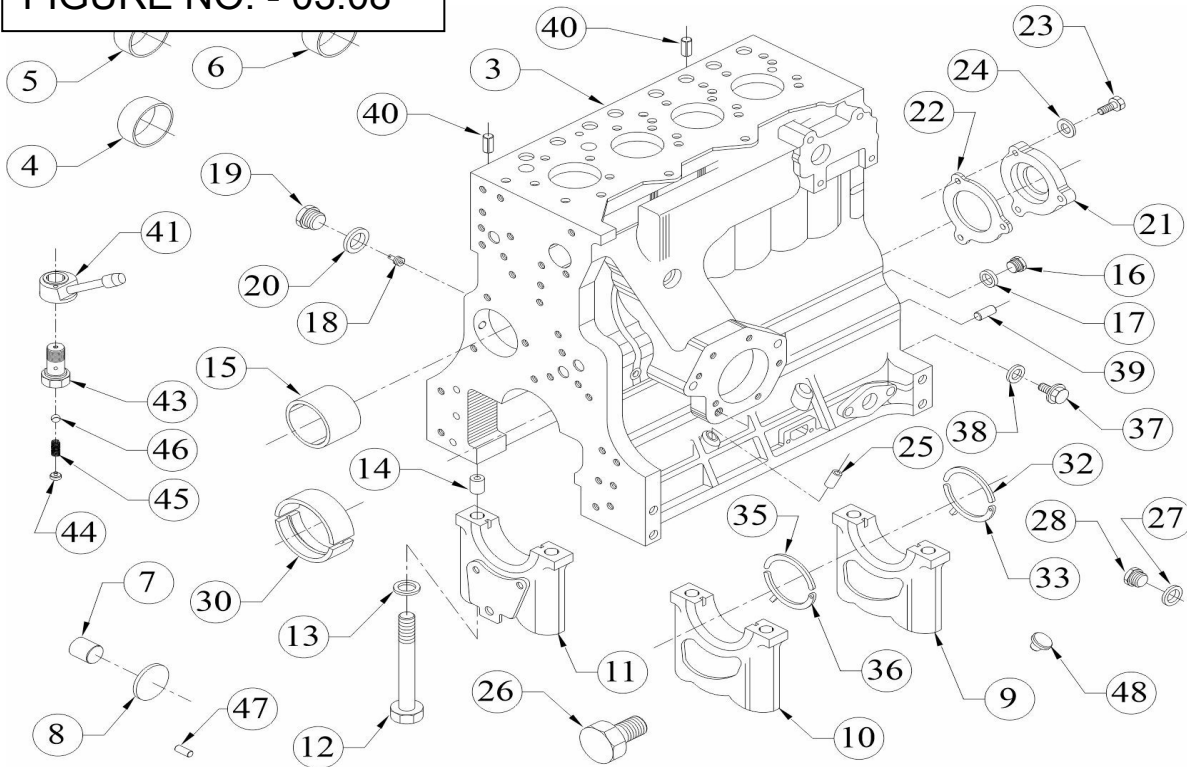
FIGURE NO: - 03.07



S. No	Part No	REV	DESCRIPTION	QTY	REMARKS
1	957000000220	A	CRANK SHAFT PULLEY WITH POLY V GROOVE (P6PK200)	1	
2	957000000230	A	BOLT FOR CRANK PULLEY	5	

CRANKCASE (TURBOCHARGED ENGINE)

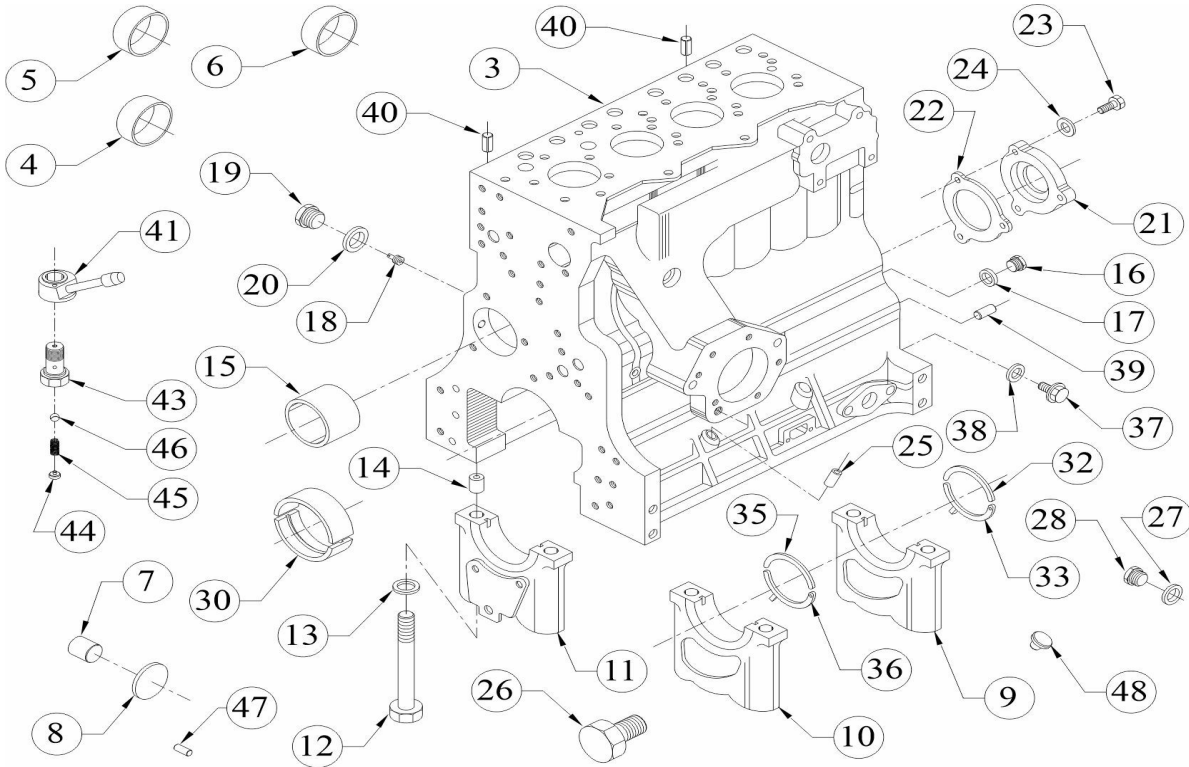
FIGURE NO: - 03.08



S. No	Part No	REV	DESCRIPTION	QTY	REMARKS
1	957000000240	A	CRANKCASE ASSLY.WITHOUT BEARINGS	1	CONSISTING OF SR. NO. 2, 15 TO 28
2	957000000250	A	CRANKCASE (LINE BORING OPERATION)	1	CONSISTING OF SR. NO. 3 TO 14
3	957000000260	A	CRANKCASE (TURBOCHARGED ENGINE)	1	NOT SUPPLIED LOOSE
4	957000000270	A	SEALING CAP	5	
5	957000000280	A	SEALING CAP.(40 DIN 443)	2	
6	957000000290	A	SEALING CAP	3	
7	957000000300	A	CRANK SHAFT PLUG -ALUMINIUM	2	
8	957000000310	A	WASHER FOR ALU.PLUG.	2	
9	957000000320	A	M.B.CAP (FWE)16.99 DIA.DOWEL HOLE	1	NOT SUPPLIED LOOSE
10	957000000330	A	M.B.CAP 16.99DIA DOWEL HOLES	3	NOT SUPPLIED LOOSE
11	957000000340	A	BEARING CAP(GEAR END)(FINISH)	1	NOT SUPPLIED LOOSE

CRANKCASE (TURBOCHARGED ENGINE)

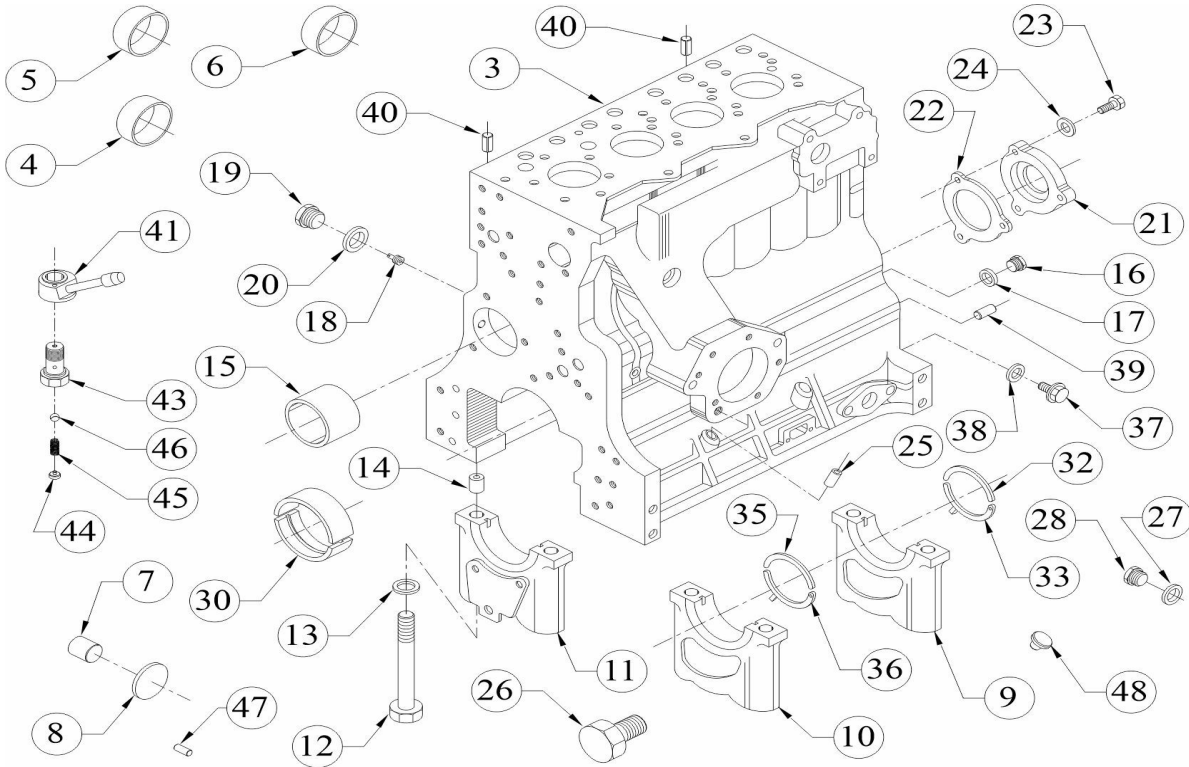
FIGURE NO: - 03.08



S. No	Part No	REV	DESCRIPTION	QTY	REMARKS
12	957000000350	A	BOLT FOR MB CAP(HEX HEAD) M14X2X128	10	
13	957000000360	A	SPECIAL WASHER FOR M14 BOLT	10	
14	957000000370	A	HOLLOW DOWEL(M.B.CAP)	10	
15	957000000380	A	CAM BUSH	1	
16	957000000390	A	PRECOATED SCREW PLUG	1	
17	957000000400	A	COPPER WASHER (20X26)	1	
18	957000000410	A	SLOTTED PIN	5	
19	957000000420	A	CORE PLUG	5	
20	955800169700	A	COPPER WASHER (12X18)	5	
21	955800169800	A	BLANKING PLATE FOR CAM BORE	1	
22	955800169900	A	JOINT FOR CAM BORE BLANKING PLATE	1	
23	955800170000	A	SET SCREW - M8X1.25X25 - 8.8	3	
24	955800170100	A	PLAIN MACHINED WASHER - M8	3	
25	957000000480	A	DIPSTICK GUIDE	1	

CRANKCASE (TURBOCHARGED ENGINE)

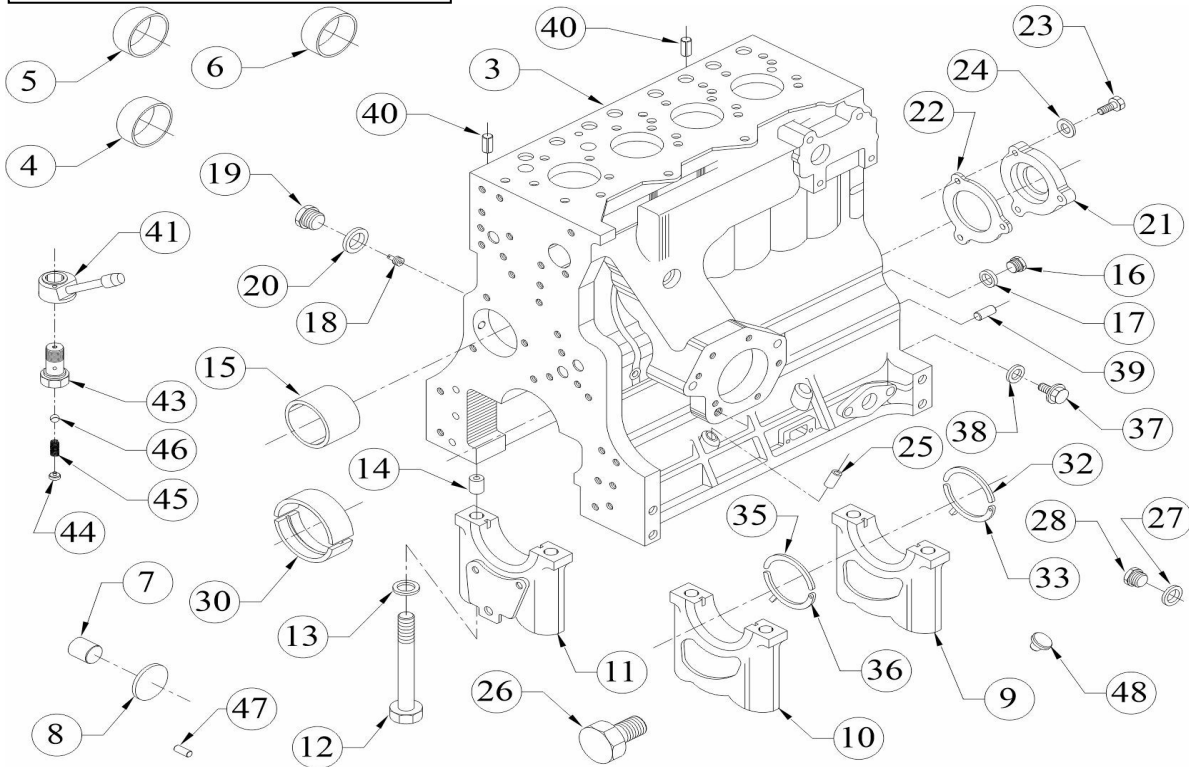
FIGURE NO: - 03.08



S. No	Part No	REV	DESCRIPTION	QTY	REMARKS
26	957000000490	A	PRECOATED PLUG (FOR OIL GALLERY)	1	
27	957000000500	A	COPPER WASHER (10X16)	1	
28	957000000510	A	CORE PLUG	1	
29	957000000520	A	MAIN BRG TOP & BOTTOM	5	CONSISTING OF SR. NO.30 REFER TO SET OF BEARING INDEX PAGE
30	957000000530	A	MAIN BEARING HALF(STANDARD)	2	
31	957000000540	A	THRUST RING PAIR-DRIVE END,102 DIA.)	1	CONSISTING OF SR. NO.32,33
32	957000000550	A	THRUST WASHER -DRIVE END,TOP 1	1	
33	957000000560	A	THRUST WASHER (DRIVE END,BOTTOM)	1	
34	957000000570	A	THRUST RING PAIR-G.E.	1	CONSISTING OF SR. NO.35,36
35	957000000580	A	THRUST RING HALF(G.E.-TOP)	1	
36	957000000590	A	THRUST RING HALF(G.E.- BOTTOM)	1	
37	957000000600	A	PLUG (M14X1.5)	1	

CRANKCASE (TURBOCHARGED ENGINE)

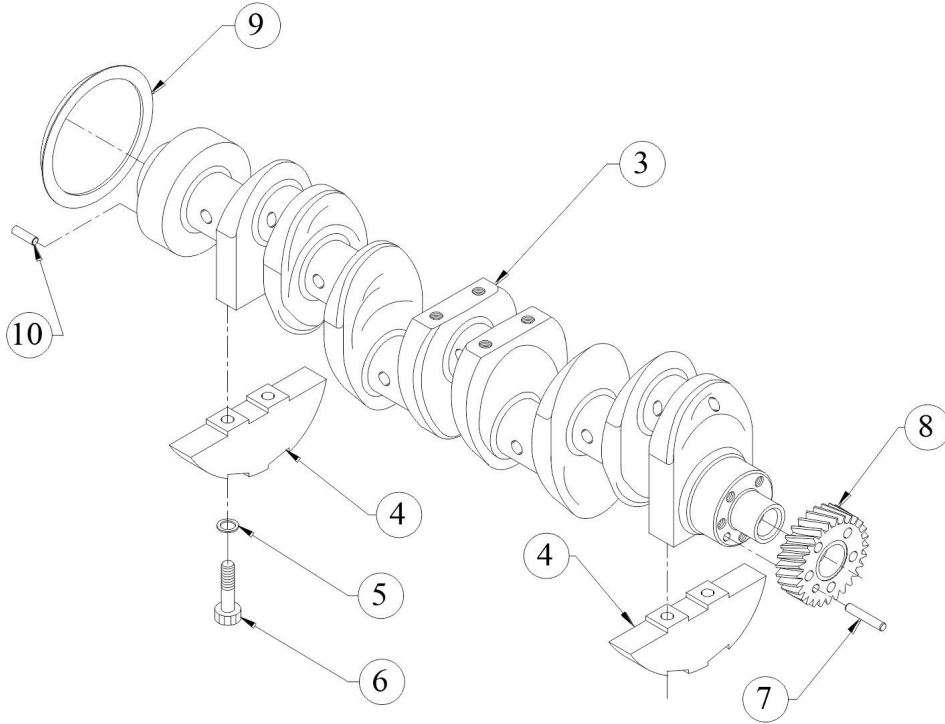
FIGURE NO: - 03.08



S. No	Part No	REV	DESCRIPTION	QTY	REMARKS
38	957000000610	A	COPPER WASHER (14X20)	1	
39	957000000620	A	DOWEL	2	
40	957000000630	A	SPRING DOWEL PIN	2	
41	957000000640	A	OIL SPRAY NOZZLE (MODIFIED)	4	
42	957000000650	A	SUB. ASSEMBLY OF SPECIAL BANJO BOLT (FOR OIL SPRAY NOZZLE.)	4	CONSISTING OF SR. NO.43 TO 46
43	957000000660	A	BANJO BOLT	1	
44	957000000670	A	CLOSING BUTTON (FOR OIL SPRAY BANJO BOLT)	1	
45	957000000680	A	SPRING	1	
46	957000000690	A	STEEL BALL	1	
47	957000000700	A	DOWEL PINS	4	
48	957000000710	A	PLUG FOR DIP STICK HOLE	1	

CRANKSHAFT

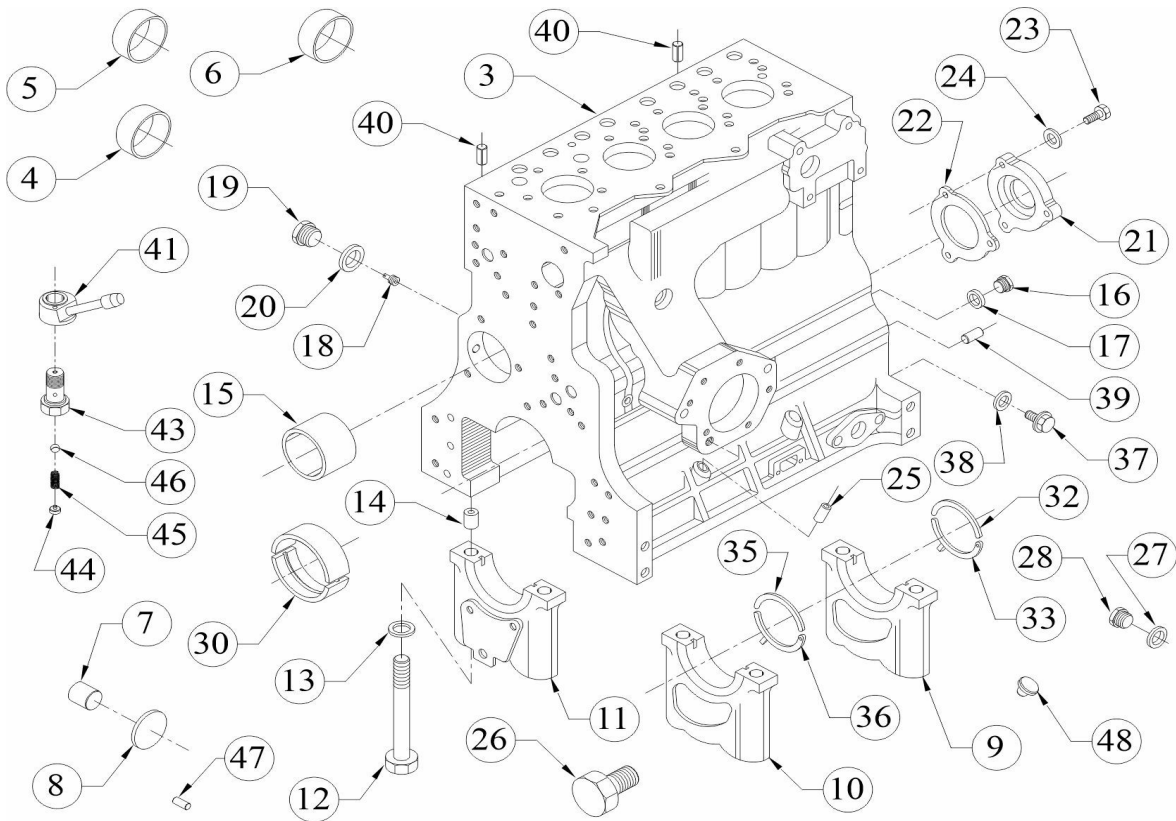
FIGURE NO: - 03.09



S. No	Part No	REV	DESCRIPTION	QTY	REMARKS
1	957000000720	A	CRANKSHAFT ASSEMBLY	1	CONSISTING OF SR. NO.2, 7 TO 10
2	957000000730	A	CRANKSHAFT ASSEMBLY	1	CONSISTING OF SR. NO.3 TO 6 NOT SUPPLIED LOOSE
3	957000000740	A	CRANKSHAFT	1	NOT SUPPLIED LOOSE
4	957000000750	A	BALANCE WT.	4	NOT SUPPLIED LOOSE
5	957000000760	A	WASHER	8	
6	957000000770	A	SOCKET HEAD BOLT - M12X1.75X60 -10.9	8	
7	957000000780	A	DOWEL PIN	2	
8	957000000790	A	CRANKSHAFT GEAR	1	NOT SUPPLIED LOOSE
9	957000000800	A	DEFLECTOR FOR OIL SEAL	1	
10	957000000810	A	DOWEL PIN 8X25	1	

CYLINDER HEAD ASSEMBLY

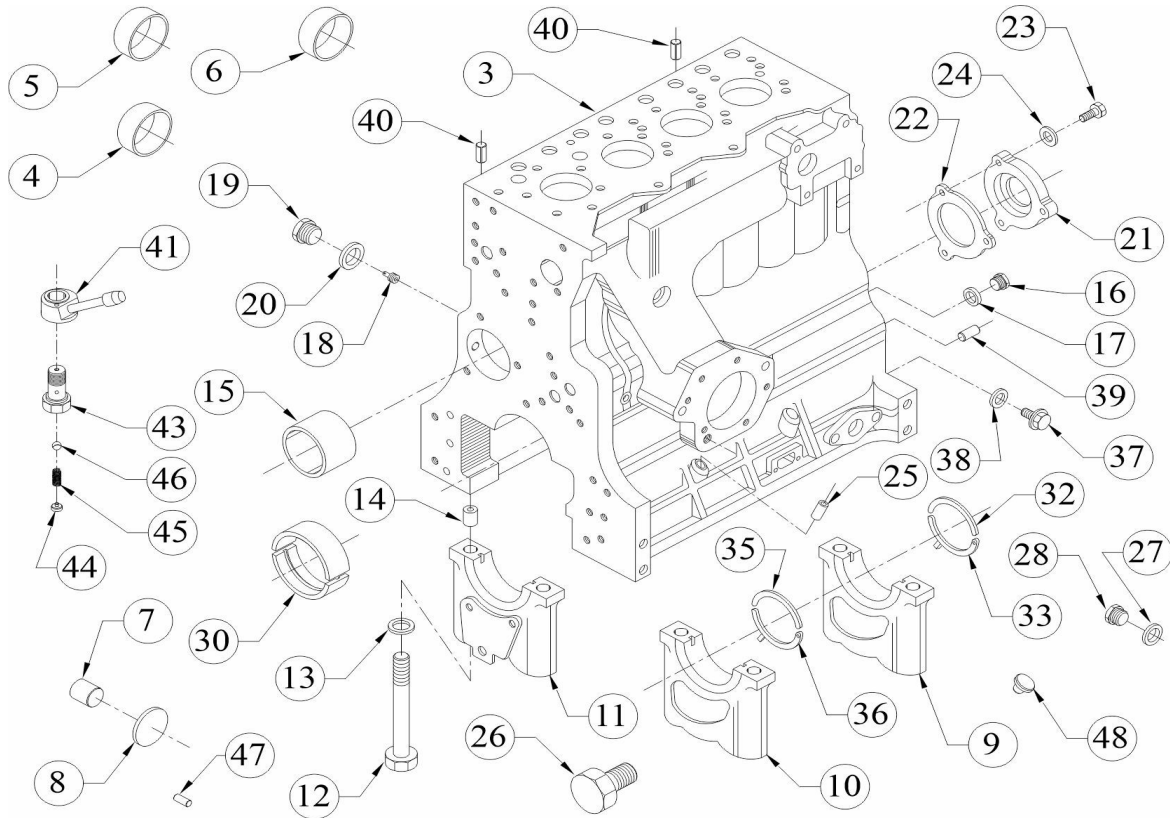
FIGURE NO: - 03.10



S. No	Part No	REV	DESCRIPTION	QTY	REMARKS
1	957000000820	A	CYLINDER HEAD ASSLY COMPLETE.	1	CONSISTING OF SR. NO.2, 30 TO 33
2	957000000830	A	CYL.HEAD ASSLY WITH VALVES & SPRINGS	1	CONSISTING OF SR. NO.3 TO 11
3	957000000840	A	VALVE SEAL	8	
4	957000000850	A	INLET & EXHAUST VALVE PAIR	1	CONSISTING OF SR. NO.5 TO 6
5	957000000860	A	INLET VALVE	4	
6	957000000870	A	EXHAUST VALVE	4	
7	957000000880	A	CUP FOR VALVE SPRING.	8	
8	957000000890	A	VALVE SPRING	8	
9	957000000900	A	VALVE CUP	8	
10	957000000910	A	VALVE COLLET(3-GROOVE)	8	

CYLINDER HEAD ASSEMBLY

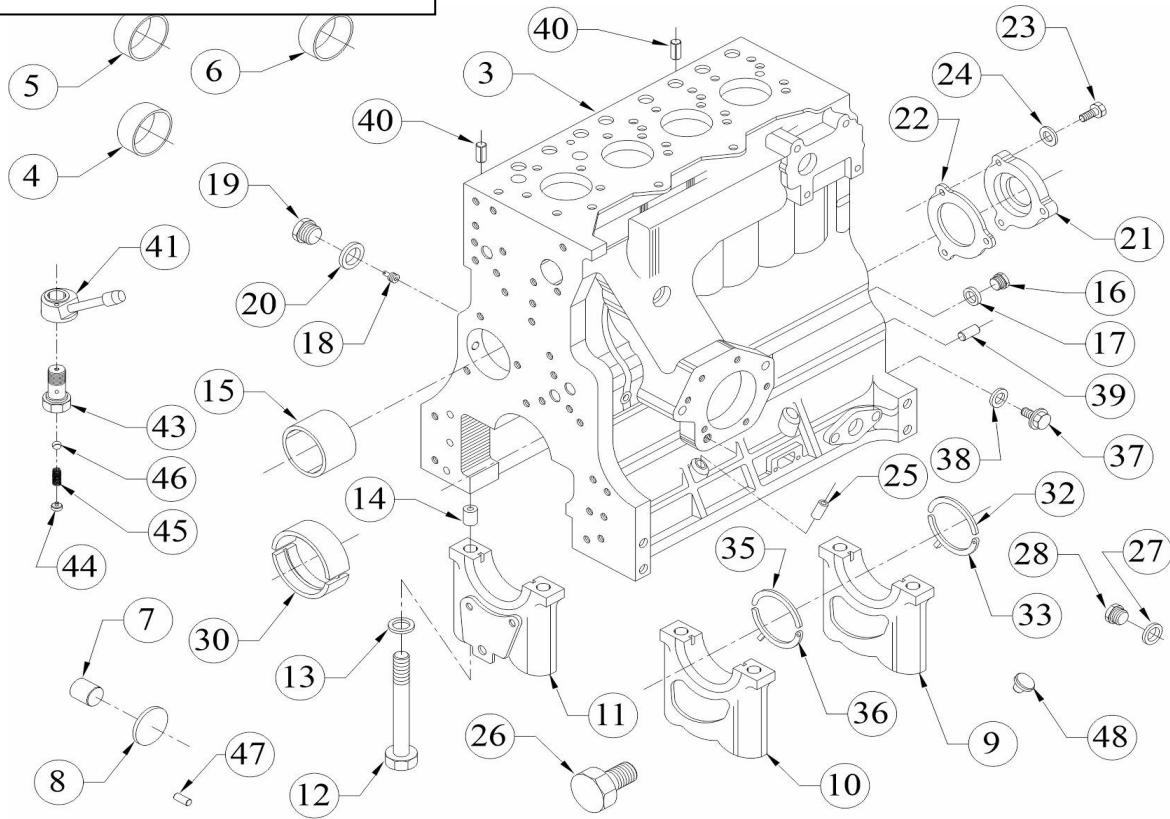
FIGURE NO: - 03.10



S. No	Part No	REV	DESCRIPTION	QTY	REMARKS
11	957000000920	A	CYLINDER HEAD ASSY. WITH VG&VSI(FOR MODIFIED VALVE GEOMETRY)	1	CONSISTING OF SR. NO.12 TO 15 & 19 TO 29
12	957000000930	A	CYLINDER HEAD FOR STAGE III	1	NOT SUPPLIED LOOSE
13	957000000940	A	VALVE SEAT INSERT (INLET) SEMIFINISH	4	
14	957000000950	A	VALVE SEAT INSERT (EXHAUST) SEMI-FINISH	4	
15	957000000960	A	ASSEMBLY OF SEMIFINISH VALVE GUIDE & WIRE SNAP RING	8	CONSISTING OF SR. NO.16
16	957000000970	A	ASSEMBLY OF SEMIFINISH VALVE GUIDE & WIRE SNAP RING	1	CONSISTING OF SR. NO.17, 18
17	957000000980	A	VALVE GUIDE (SEMI-FINISH)	1	
18	957000000990	A	WIRE SNAP RING	1	
19	957000001000	A	CRANK SHAFT PLUG – ALUMINIUM	5	
20	957000001010	A	WASHER FOR ALU.PLUG	5	

CYLINDER HEAD ASSEMBLY

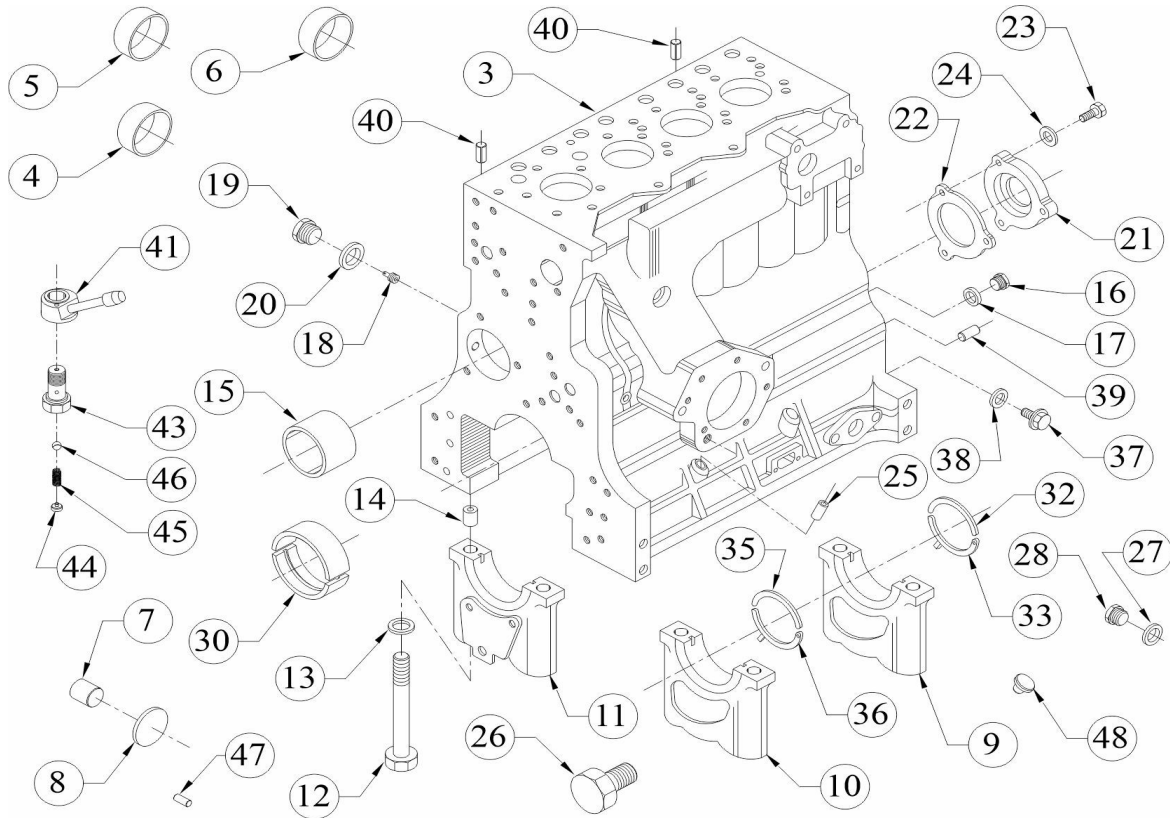
FIGURE NO: - 03.10



S. No	Part No	REV	DESCRIPTION	QTY	REMARKS
21	957000001020	A	CORE PLUG-HEXAGONAL SOCKET HEAD(DIN-908)	1	
22	957000001030	A	COPPER WASHER (18X22)	1	
23	957000001040	A	CORE PLUG	3	
24	957000001050	A	COPPER WASHER (26X32)	3	
25	957000001060	A	SEALING CAP	3	
26	957000001070	A	STUD - M8X1.25X120 - 8.8	5	
27	957000001080	A	STUD - M8 X1.25 X 65 MM - 8.8 GRADE	3	
28	957000001090	A	SPRING WASHER - M8	8	
29	957000001100	A	NUT- M8X1.25 - GR.8.8	8	
30	957000001110	A	STUD - M10X1.5X75 - 8.8	4	

CYLINDER HEAD ASSEMBLY

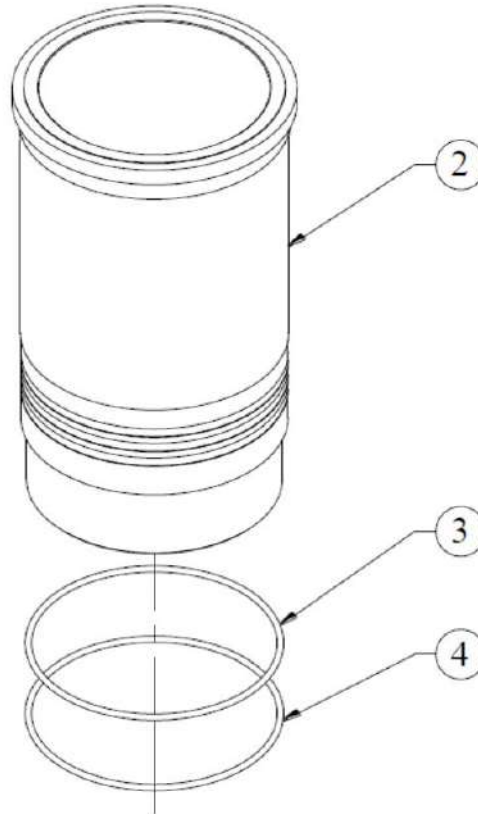
FIGURE NO: - 03.10



S. No	Part No	REV	DESCRIPTION	QTY	REMARKS
31	957000001120	A	STUD - M10X1.5X50 - 8.8	4	
32	957000001130	A	CORE PLUG(FOR CYL.HEAD)	1	
33	957000001140	A	COPPER WASHER (12X16)	1	
34	957000001150	A	JOINT FOR WATER OUTLET MANIFOLD	1	
35	957000001160	A	BOLT FOR CYLINDER HEAD.	18	
36	957000001170	A	WASHER	8	
37	957000001180	A	NUT - M10X1.5 - GR.8.8	8	
38	957000001190	A	GASKET FOR CYL. HEAD (THICKNESS 1.22)	1	
39	957000001200	A	GASKET (FOR CYLINDER HEAD) 1.10 THK.	1	
40	957000001210	A	SEALING CAP.(40 DIN 443)	2	

CYLINDER LINER (105 DIA)

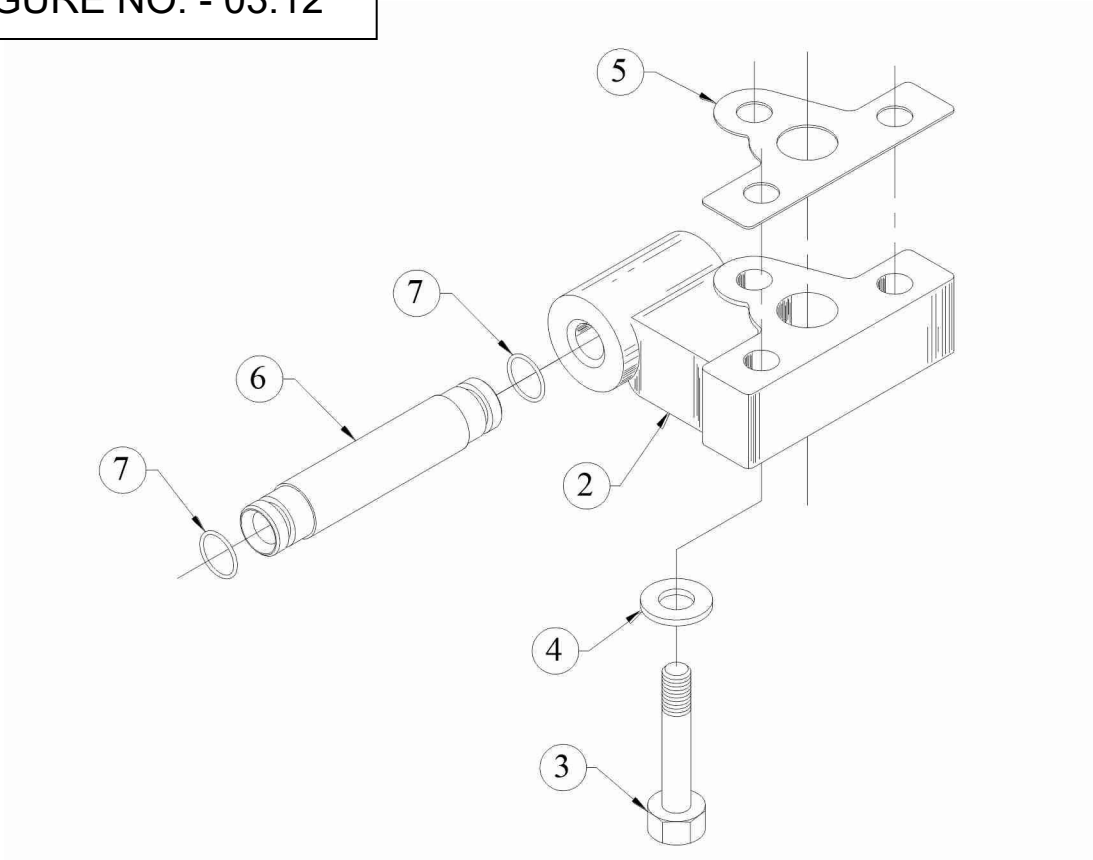
FIGURE NO: - 03.11



S. No	Part No	REV	DESCRIPTION	QTY	REMARKS
1	957000001220	A	CYLINDER WITH 'O' RING	1	CONSISTING OF SR. NO.2 TO 4
2	957000001230	A	CYLINDER LINER (105mm DIA.)AGROUP	1	NOT SUPPLIED LOOSE
3	957000001240	A	O RING (FOR CYL.LINER)	2	
4	957000001250	A	O RING FOR CYLINDER LINER (VITON MATERIAL)	1	

DELIVERY BODY

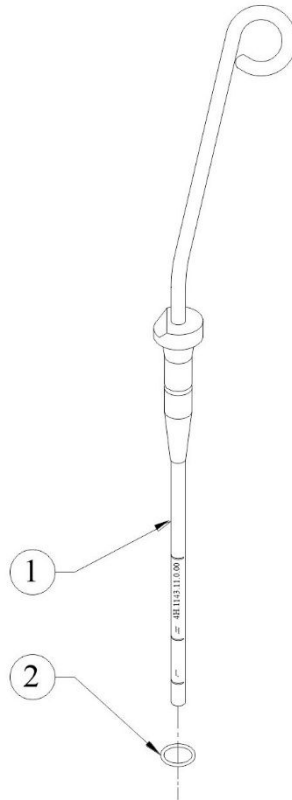
FIGURE NO: - 03.12



S. No	Part No	REV	DESCRIPTION	QTY	REMARKS
1	957000001260	A	DELIVERY BODY ASSEMBLY	1	CONSISTING OF SR. NO.2, 6 & 7
2	957000001270	A	DELIVERY BODY	1	
3	957000001280	A	SET BOLT - M8X1.25X45 - 8.8	3	
4	957000001290	A	PLAIN MACHINED WASHER - M8	3	
5	957000001300	A	JOINT FOR DELIVERY BODY	1	
6	957000001310	A	DELIVERY TUBE	1	
7	957000001320	A	'O' RING (FOR DELIVERY TUBE)	2	

DIPSTICK 35 DEG. S/F FABRICATED MODIFIED OIL SUMP

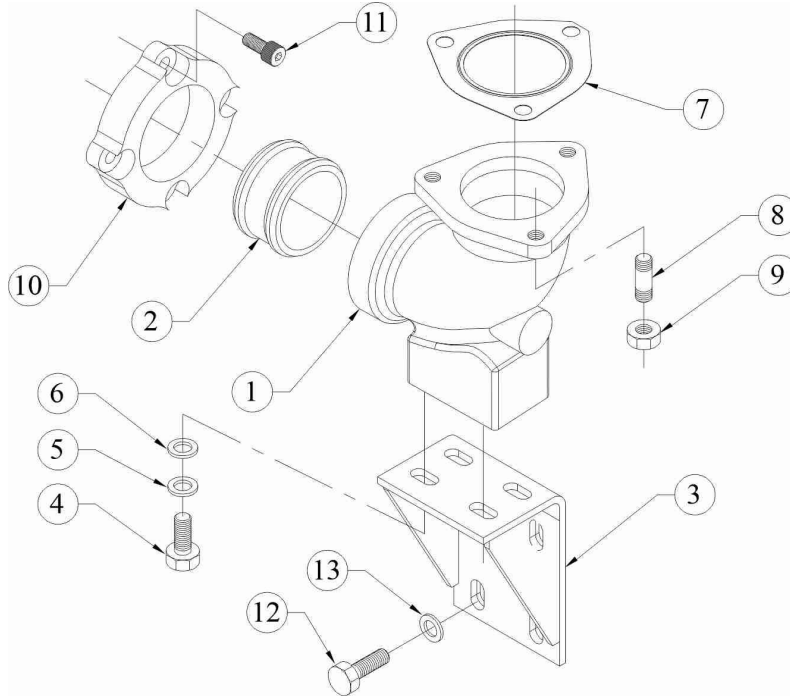
FIGURE NO: - 03.13



S. No	Part No	REV	DESCRIPTION	QTY	REMARKS
1	957000001330	A	ASSEMBLY DIPSTICK FOR MODIFIED SUMP	1	
2	957000001340	A	O RING - DIPSTICK (2X5,21515 OR 21511)	1	

EXHAUST DIFFUSER FOR K24 TC (CMVR)

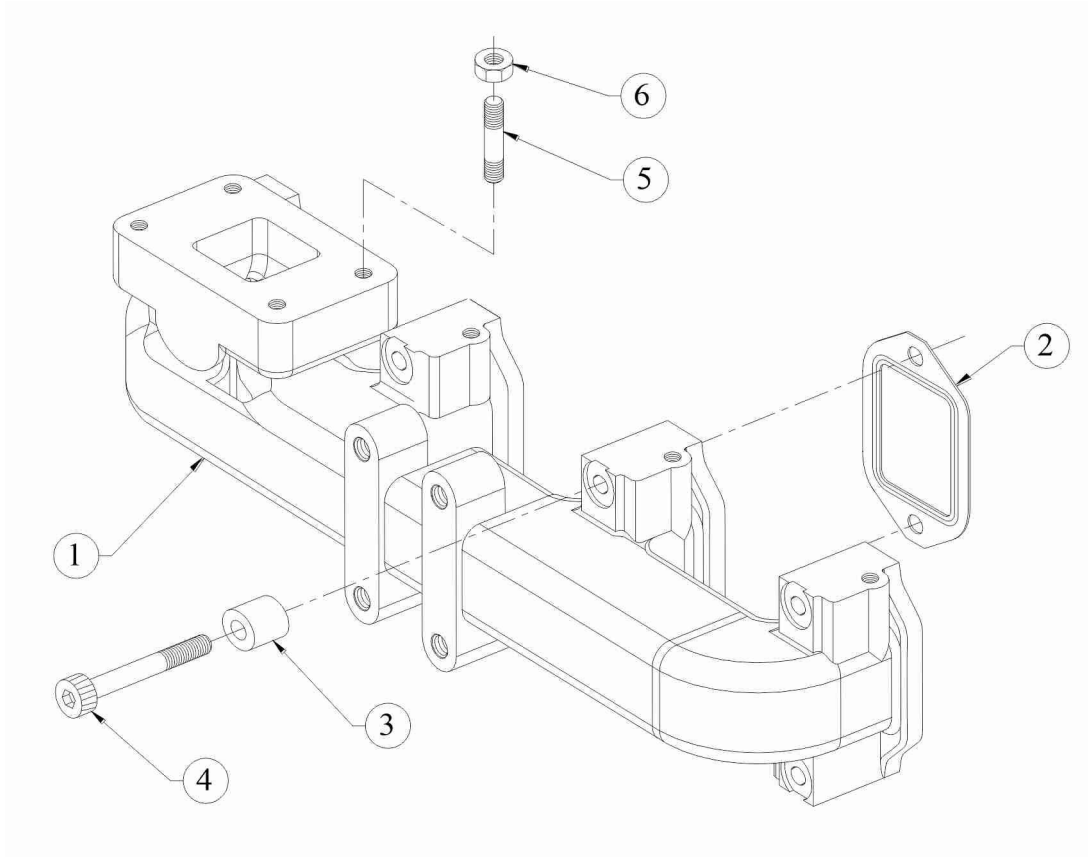
FIGURE NO: - 03.14



S. No	Part No	REV	DESCRIPTION	QTY	REMARKS
1	957000001350	A	EXHAUST DIFFUSER WITH TRIANGULAR FLANGE (CMVR)	1	
2	957000001360	A	DOG BONE FOR K24 TC (CMVR)	1	
3	957000001370	A	BRACKET FOR EXHAUST DIFFUSER (CMVR)	1	
4	957000001380	A	SET SCREW - M10X1.5X25 - 8.8	4	
5	957000001390	A	PLAIN MACHINED WASHER - M10	3	
6	957000001400	A	SPECIAL WASHER	4	
7	957000001410	A	JOINT FOR EXHAUST DIFFUSER	1	
8	957000001420	A	STUD - M10X1.5X30 - 8.8	3	
9	957000001430	A	STAINLESS STEEL NUT M10-AISI- 304	3	
10	957000001440	A	TC HOUSING FOR DOG BONE (CMVR)	1	
11	957000001450	A	HEXAGONAL SOCKET HEAD CAP SCREW	4	
12	957000001460	A	SET SCREW - M8X1.25X25 - 8.8	4	
13	957000001470	A	SPL.PLAIN M/CED WASHER	4	

EXHAUST MANIFOLD FOR K24 TC (CMVR)

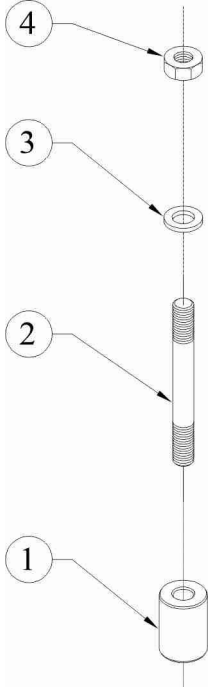
FIGURE NO: - 03.15



S. No	Part No	REV	DESCRIPTION	QTY	REMARKS
1	957000001480	A	EXHAUST MANIFOLD FOR K24 TC (JCB, CMVR)	1	
2	957000001490	A	GASKET FOR EXHAUST MANIFOLD	4	
3	957000001500	A	SPACER (FOR EXT.MANIFOLD)	8	
4	957000001510	A	SOCKET HEAD CAP BOLT M8X60 LONG	8	
5	957000001520	A	STUD - M8X1.25X25 - 8.8	4	
6	957000001530	A	STAINLESS STEEL NUT	4	

FAN MOUNTING

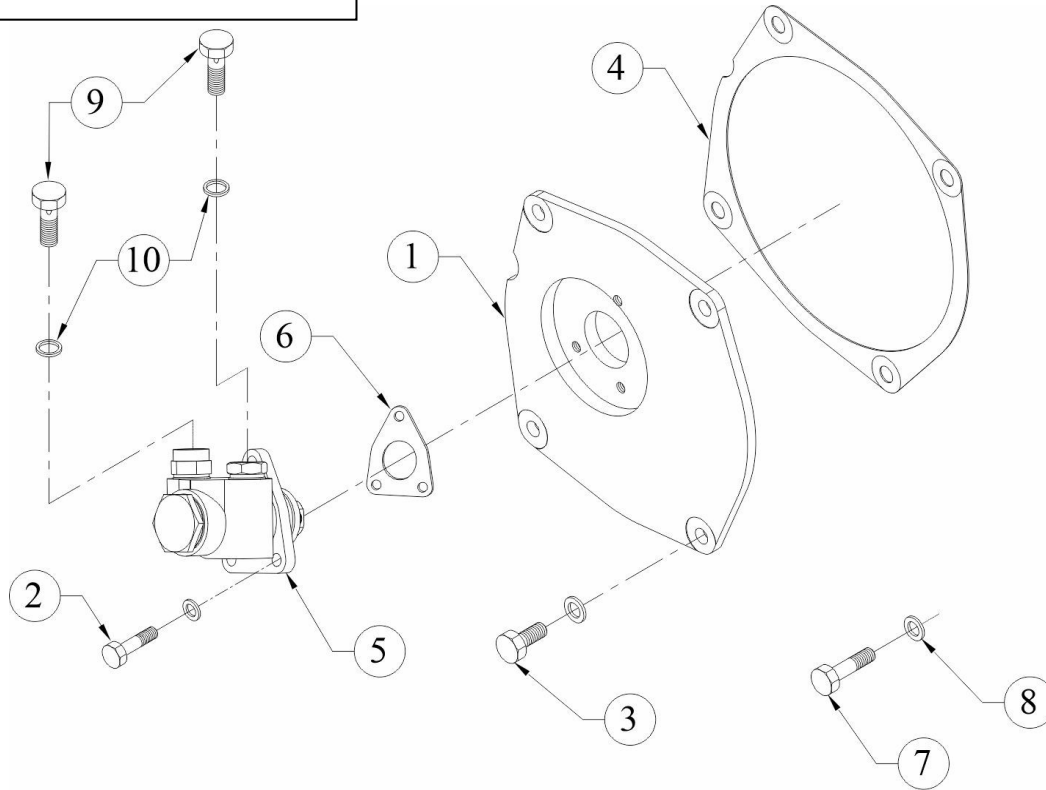
FIGURE NO: - 03.16



S. No	Part No	REV	DESCRIPTION	QTY	REMARKS
1	957000001540	A	SPACER (DIA 20 O.D x DIA.11 I.D & 70 mm LENGTH)	4	
2	957000001550	A	STUD	4	
3	957000001560	A	PLAIN MACHINED WASHER - M8	4	
4	957000001570	A	NUT- M8X1.25 - GR.8.8	4	

FIP GEAR COVER AND FEED PUMP ASSEMBLY

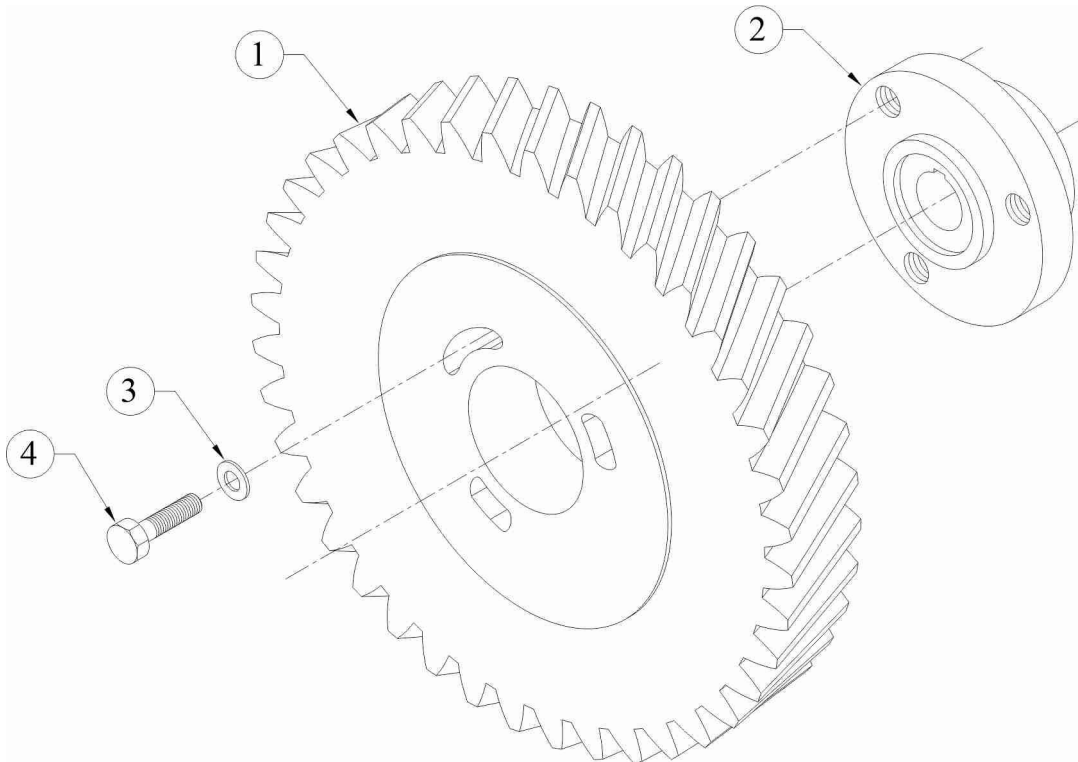
FIGURE NO: - 03.17



S. No	Part No	REV	DESCRIPTION	QTY	REMARKS
1	957000001580	A	COVER FOR FRONT COVER	1	
2	957000001590	A	SET BOLT - M8X1.25X35 - 8.8	3	
3	957000001600	A	SET SCREW - M8X1.25X20 - 8.8	1	
4	957000001610	A	JOINT FOR FUEL PUMP GEAR COVER	1	
5	957000001620	A	FUEL FEED PUMP (F 002 A 50 025)	1	
6	957000001630	A	JOINT FOR FEED PUMP	1	
7	957000001640	A	SET BOLT - M6X1X16 - 8.8	3	
8	957000001650	A	PLAIN MACHINED WASHER - M6	3	
9	957000001660	A	BANJO BOLT - M14X1.5	2	
10	957000001670	A	COPPER WASHER (14X20)	2	

FIP GEAR WITH FACIAL CAM

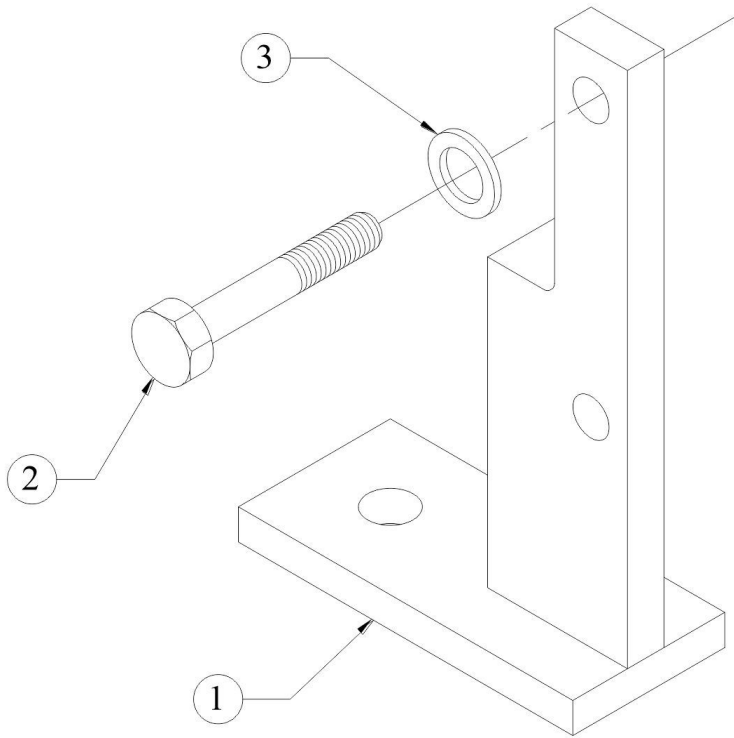
FIGURE NO: - 03.18



S. No	Part No	REV	DESCRIPTION	QTY	REMARKS
1	955800184800	A	FUEL PUMP GEAR	1	
2	955800184900	A	HUB FOR FUEL PUMP GEAR (FACIAL CAM)	1	
3	955800185000	A	SET SCREW - M8X1.25X25 - 8.8	3	
4	955800185100	A	WASHER FOR FUEL PUMP GEAR.	3	

FLYWHEEL END FOOT (PACKING)

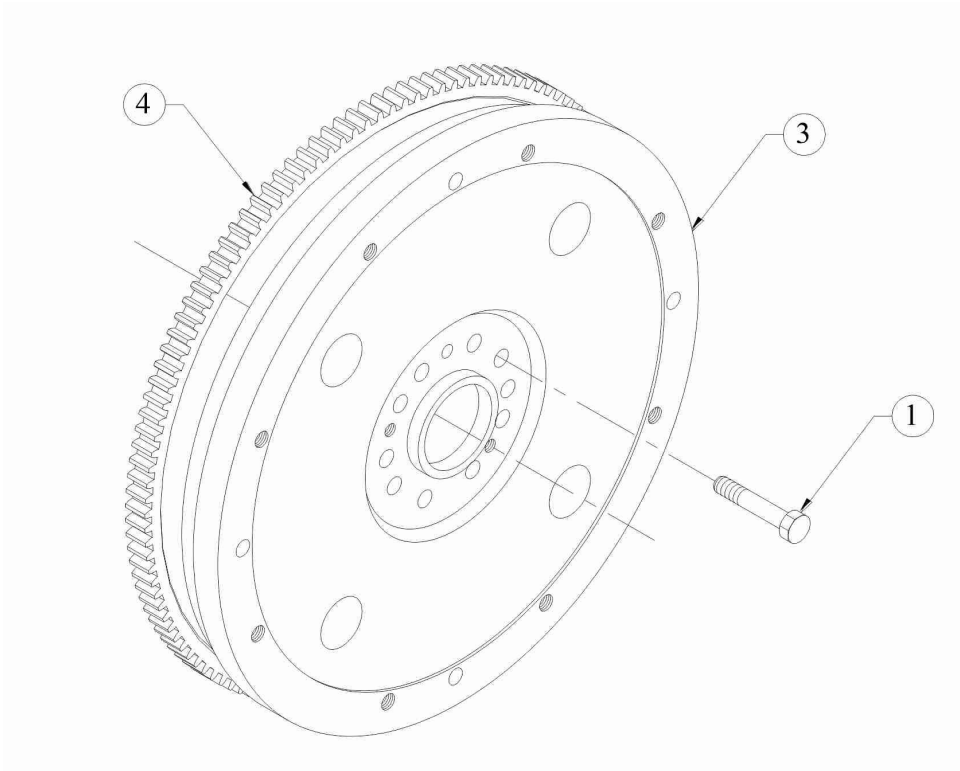
FIGURE NO: - 03.19



S. No	Part No	REV	DESCRIPTION	QTY	REMARKS
1	957000001720	A	FLYWHEEL END FOOT (FIP.SIDE)	2	
2	957000001730	A	SET BOLT - M12X1.75X35 - 8.8	4	
3	957000001740	A	PLAIN MACHINED WASHER - M12	12	

FLYWHEEL FOR CARRARO TRANSMISSION

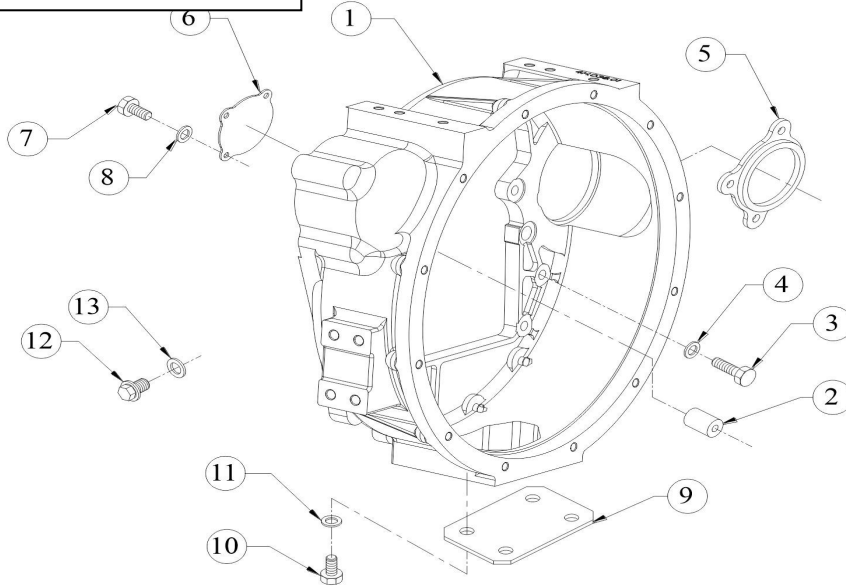
FIGURE NO: - 03.20



S. No	Part No	REV	DESCRIPTION	QTY	REMARKS
1	957000001750	A	BOLT FOR FLYWHEEL (M10X35 LONG)	10	
2	957000001760	A	FLYWHEEL ASSEMBLY	1	CONSISTING OF SR. NO.3 & 4
3	957000001770	A	FLYWHEEL	1	NOT SUPPLIED LOOSE
4	957000001780	A	STARTER RING HA	1	

FLYWHEEL HOUSING SAE 3, 144.5 MM, TWO STARTER BORE

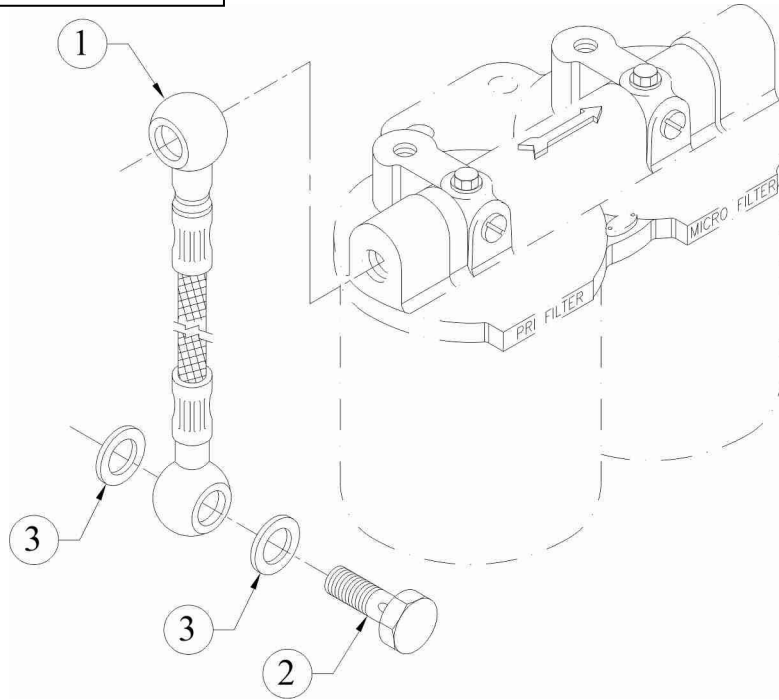
FIGURE NO: - 03.21



S. No	Part No	REV	DESCRIPTION	QTY	REMARKS
1	957000001790	A	FLYWHEEL HOUSING (SAE 3-144.5)	1	
2	957000001800	A	HOLLOW DOWEL (16 DIA)	2	
3	957000001810	A	SET BOLT-M10X30-10.9	8	
4	957000001820	A	WASHER	8	
5	957000001830	A	FLANG FOR STARTER	1	
6	957000001840	A	BLANKING PLATE (STARTER BORE)	1	
7	957000001850	A	SET SCREW - M10X1.5X20 - 8.8	9	
8	957000001860	A	PLAIN MACHINED WASHER - M10	9	
9	957000001870	A	COVER FOR FLY WHEEL HSG	1	
10	957000001880	A	SET SCREW - M8X1.25X16 - 8.8	4	
11	957000001890	A	PLAIN MACHINED WASHER - M8	4	
12	957000001900	A	CORE PLUG 16X1.5	1	
13	957000001910	A	COPPER WASHER (17X23)	1	

FUEL PIPE FILTER TO FIP BS III

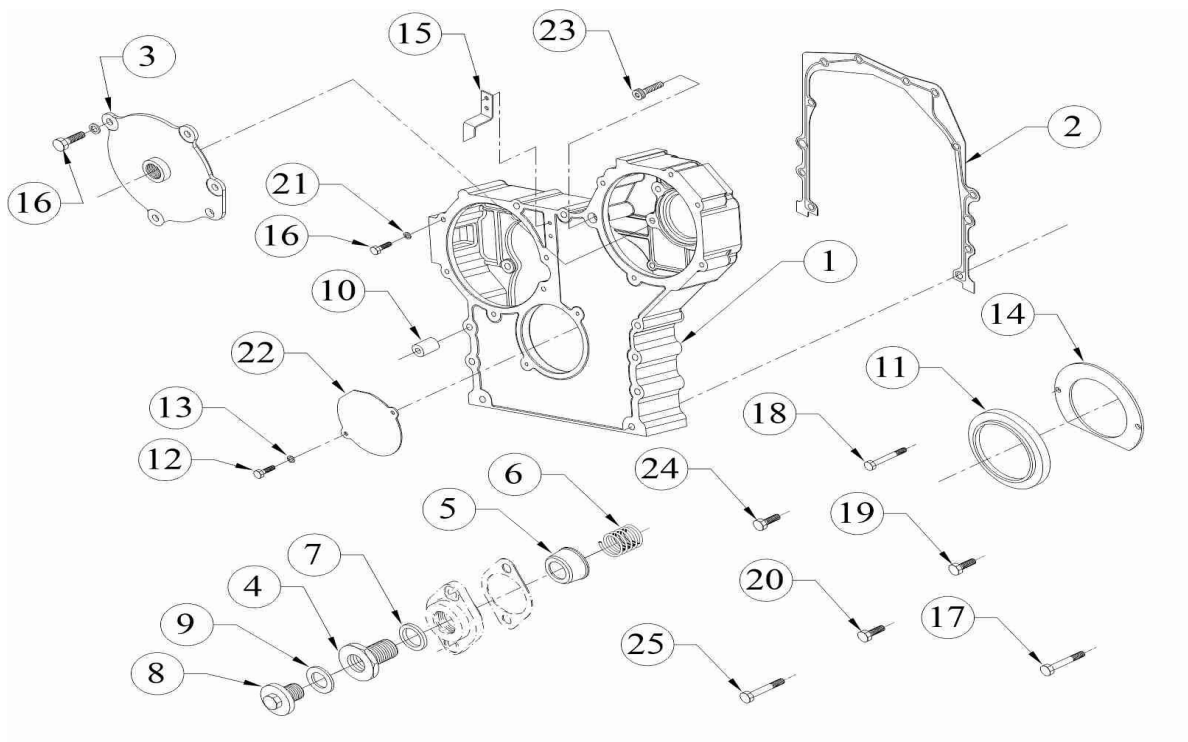
FIGURE NO: - 03.22



S. No	Part No	REV	DESCRIPTION	QTY	REMARKS
1	957000001920	A	FUEL PIPE FILTER TO PUMP (M12 X M14 B,C,9.5 ID X 550 LO	1	
2	957000001930	A	BANJO BOLT - M14X1.5	1	
3	957000001940	A	COPPER WASHER (14X18)	2	

GEAR CASING (NEW DESIGN COMBINED WITH FRONT COVER) WITH TIMING POINTER

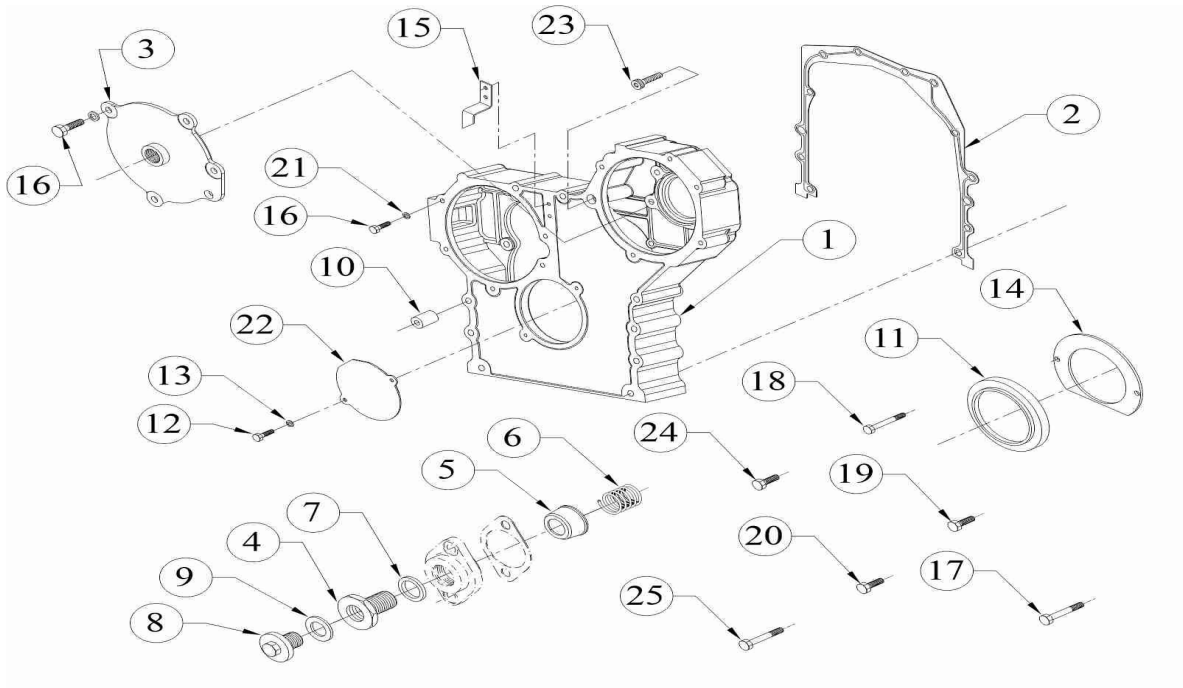
FIGURE NO: - 03.23



S. No	Part No	REV	DESCRIPTION	QTY	REMARKS
1	957000001950	A	GEAR CASING	1	
2	957000001960	A	JOINT FOR GEAR CASING	1	
3	957000001970	A	COVER FOR CAM SHAFT BORE ON GEAR CASING	1	
4	957000001980	A	ADAPTOR (FOR TACHODRIVE)	1	
5	957000001990	A	CUP FOR SPRING	1	
6	957000002000	A	SPRING FOR CUP	1	
7	957000002010	A	COPPER WASHER (24X29)	1	
8	957000002020	A	PRECOATED CORE PLUG (FOR MAIN OIL GALLERY FWE SIDE)	1	
9	957000002030	A	COPPER WASHER (18X24)	1	
10	957000002040	A	DOWEL FOR GEAR CASING	2	
11	957000002050	A	GEAR END OIL SEAL (80X105X12)	1	
12	957000002060	A	SET SCREW - M6X1X12 - 8.8	3	
13	957000002070	A	PLAIN MACHINED WASHER - M6	4	
14	957000002080	A	OIL DEFLECTOR PLATE	1	

GEAR CASING (NEW DESIGN COMBINED WITH FRONT COVER) WITH TIMING POINTER

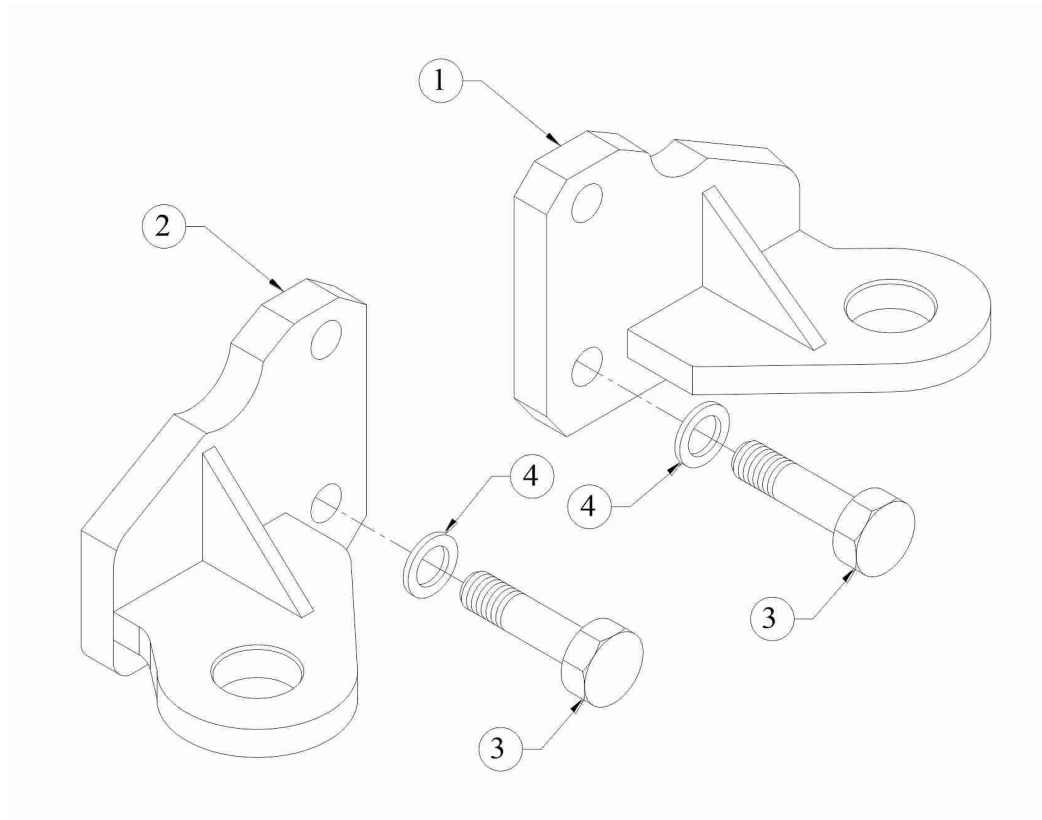
FIGURE NO: - 03.23



S. No	Part No	REV	DESCRIPTION	QTY	REMARKS
15	957000002090	A	TIMING POINTER	1	
16	957000002100	A	SET SCREW - M8X1.25X20 - 8.8	8	
17	957000002110	A	SET BOLT - M8X1.25X80 - 8.8	6	
18	957000002120	A	SET BOLT - M8X1.25X85 - 8.8	3	
19	957000002130	A	SET SCREW - M8X1.25X25 - 8.8	3	
20	957000002140	A	SET SCREW - M8X1.25X30 - 8.8	1	
21	957000002150	A	PLAIN MACHINED WASHER - M8	19	
22	957000002160	A	MUD SLINGER	1	
23	957000002170	A	SOCKET HEAD SCREW - M8X1.25X75 - 8.8	1	
24	957000002180	A	SET SCREW - M6X1X10 - 8.8	4	
25	957000002190	A	HEAD MACHINED FOR BOLT 50.003.08.020	1	

GEAR END FOOT (P92)

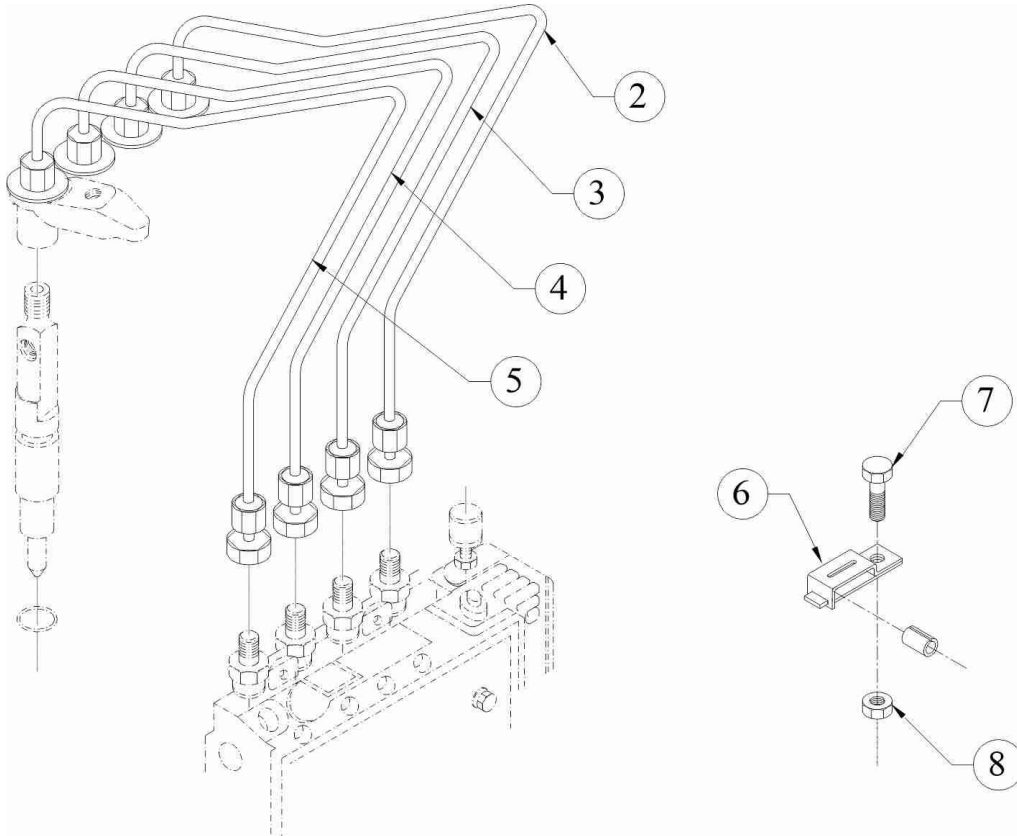
FIGURE NO: - 03.24



S. No	Part No	REV	DESCRIPTION	QTY	REMARKS
1	957000002200	A	GEAR END FOOT	1	
2	957000002210	A	GEAR END FOOT	1	
3	957000002220	A	SET BOLT M14 GR.10.9	4	
4	957000002230	A	WASHER	4	

HIGH PRESSURE PIPE ASSEMBLY

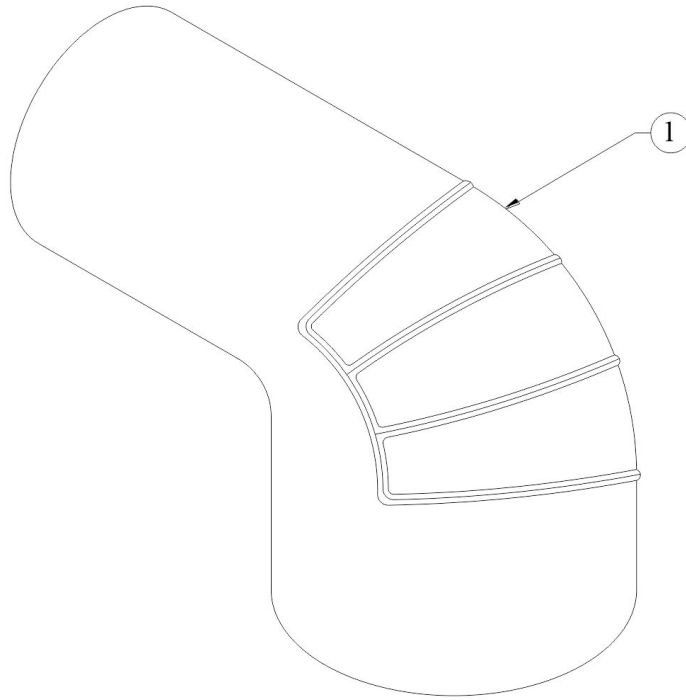
FIGURE NO: - 03.25



S. No	Part No	REV	DESCRIPTION	QTY	REMARKS
1	957000002240	A	HIGH PRESSURE PIPE ASSEMBLY	1	CONSISTING OF SR. NO.2 TO 8
2	957000002250	A	HIGH PRESSURE PIPE (CYL 1)	1	
3	957000002260	A	HIGH PRESSURE PIPE (CYL 2)	1	
4	957000002270	A	HIGH PRESSURE PIPE (CYL 3)	1	
5	957000002280	A	HIGH PRESSURE PIPE (CYL 4)	1	
6	957000002290	A	CLAMP FOR HP PIPE (HALF)	10	
7	957000002300	A	SET SCREW - M6X1X20 - 8.8	5	
8	957000002310	A	NUT - M6X1 - GR.8.8	5	

HOSE FOR AIR CLEANER

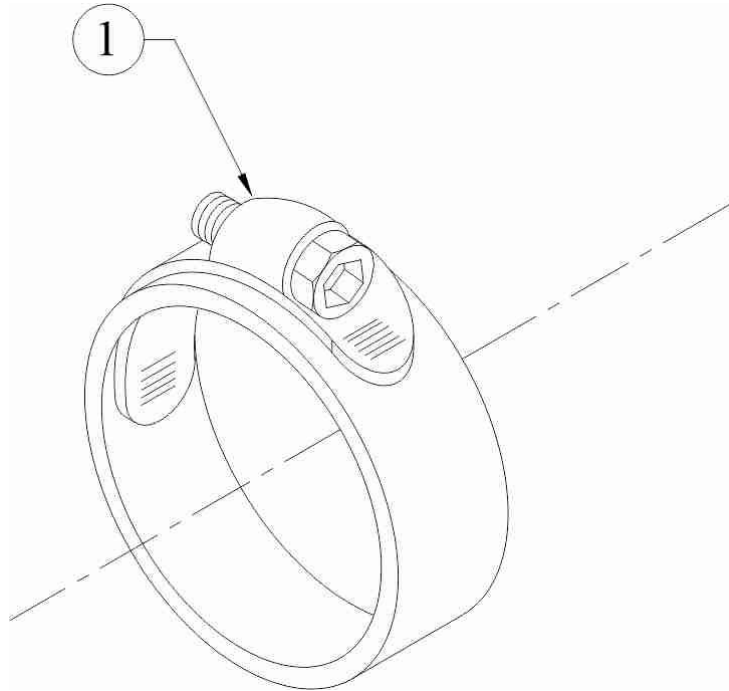
FIGURE NO: - 03.26



S. No	Part No	REV	DESCRIPTION	QTY	REMARKS
1	200532423000	A	HOSE FOR AIR CLEANER	1	

HOSE T-BOLT CLAMP (DIA. 55-65)

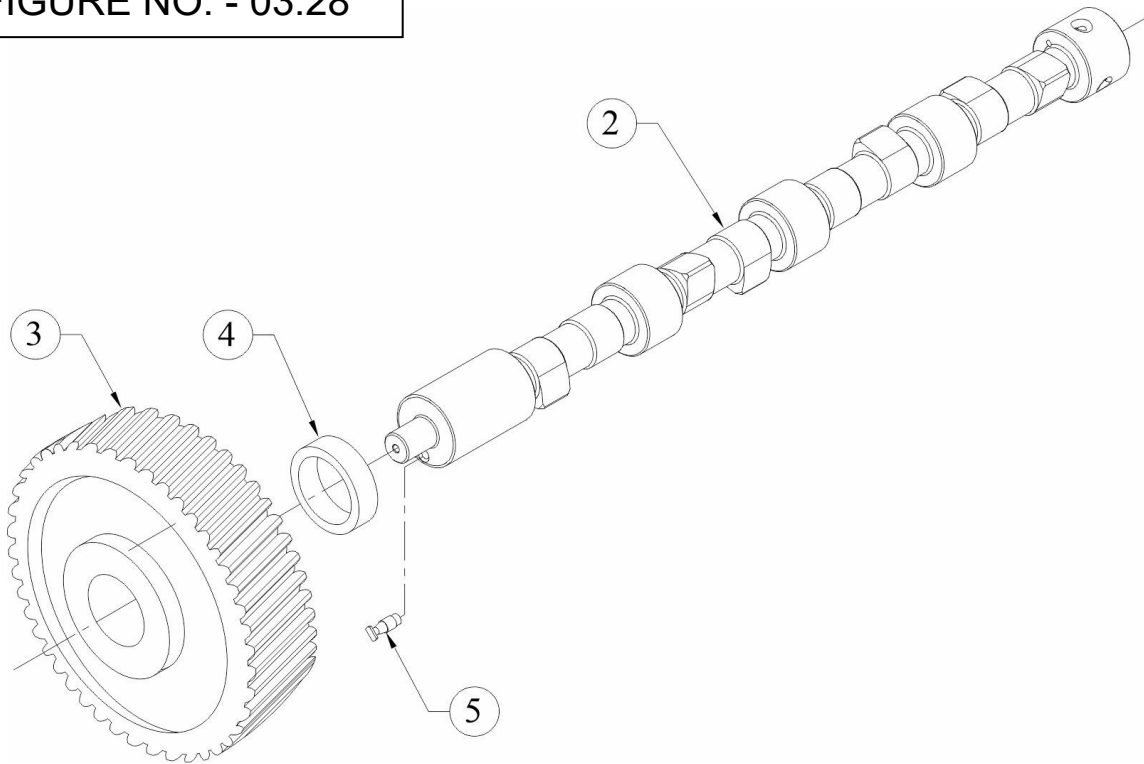
FIGURE NO: - 03.27



S. No	Part No	REV	DESCRIPTION	QTY	REMARKS
1	95700002330	A	HOSE T-BOLT CLAMP (DIA. 55-65)	1	

IEGR CAMSHAFT & GEAR ASSEMBLY

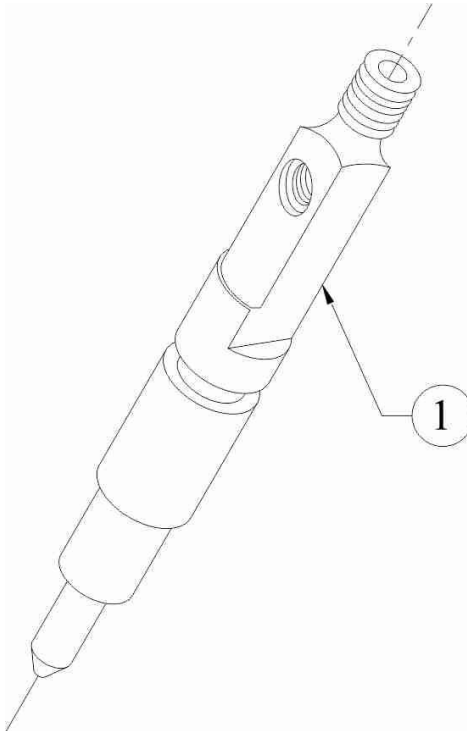
FIGURE NO: - 03.28



S. No	Part No	REV	DESCRIPTION	QTY	REMARKS
1	957000002340	A	CAMSHAFT SUBASSEMBLY	1	CONSISTING OF SR. NO.2 TO 3
2	957000002350	A	INTERNAL EGR CAMSHAFT WITH 1.5MM SECONDARY LIFT FOR R1040 ENGINE.	1	NOT SUPPLIED LOOSE
3	957000002360	A	CAM SHAFT GEAR	1	NOT SUPPLIED LOOSE
4	957000002370	A	THRUST WASHER FOR CAM SHAFT	1	
5	957000002380	A	PIN	1	

INJECTOR ASSEMBLY

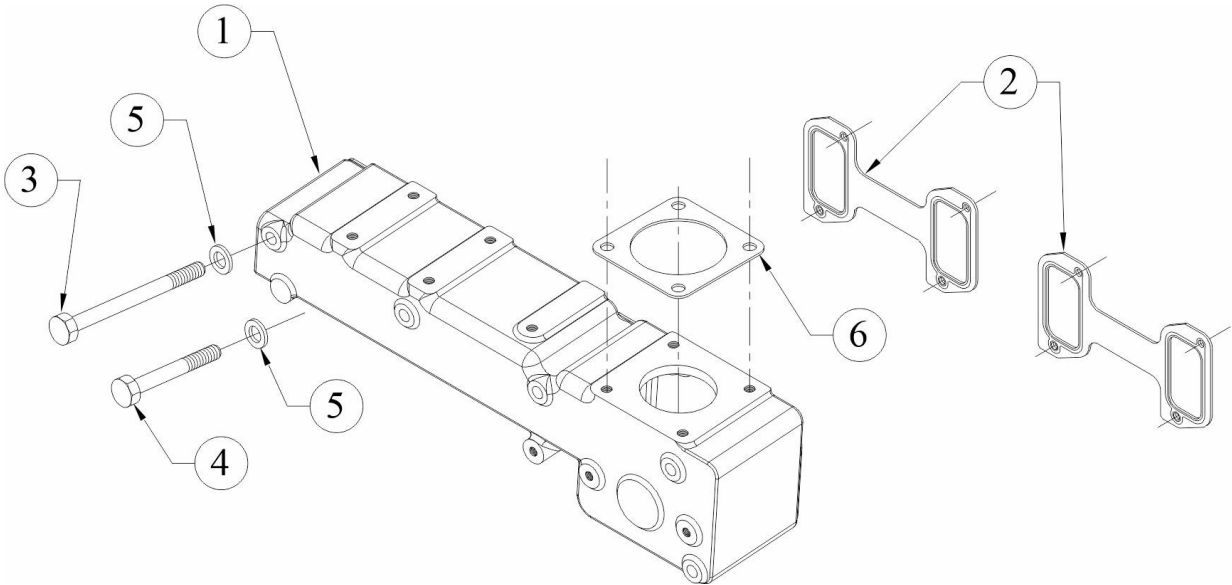
FIGURE NO: - 03.29



S. No	Part No	REV	DESCRIPTION	QTY	REMARKS
1	957000002390	A	INJECTOR	1	

INLET MANIFOLD (FWE TOP OPEN)

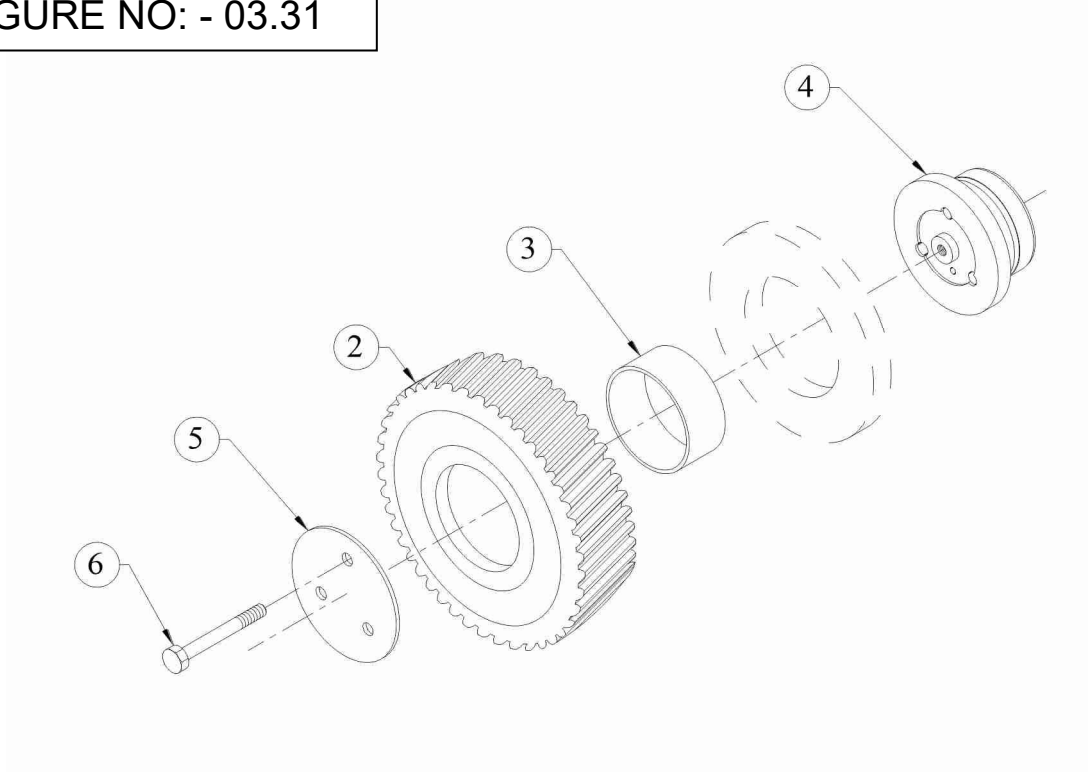
FIGURE NO: - 03.30



S. No	Part No	REV	DESCRIPTION	QTY	REMARKS
1	957000002400	A	INLET MANIFOLD (TOP OPENING)	1	
2	957000002410	A	JOINT FOR AIR INLET MANIFOLD	2	
3	957000002420	A	SET BOLT - M8X1.25X65 - 8.8	3	
4	957000002430	A	PLAIN MACHINED WASHER - M8	14	
5	957000002440	A	SET BOLT - M8X1.25X120 - 8.8	5	
7	957000002450	A	JOINT (FOR AIR PIPE)	1	

INTERMEDIATE GEAR AND SUPPORT FOR COMBINED GEAR CASING

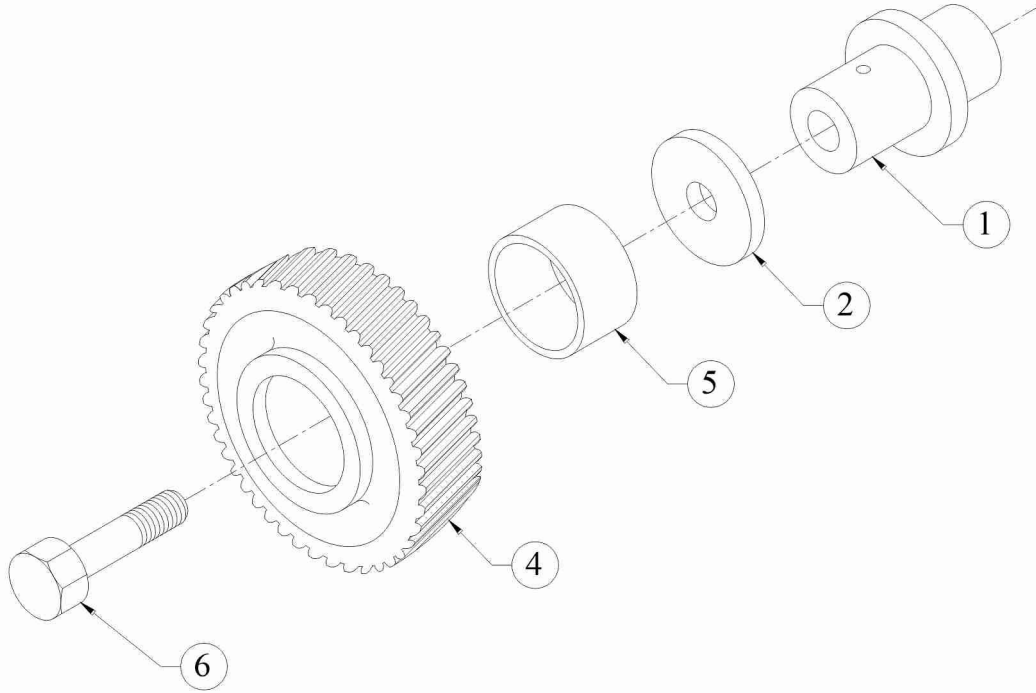
FIGURE NO: - 03.31



S. No	Part No	REV	DESCRIPTION	QTY	REMARKS
1	957000002460	A	ASSLY OF INTERMEDIATE GEAR & BUSH	1	CONSISTING OF SR. NO.2, 3
2	957000002470	A	INTERMEDIATE GEAR (FINISH)	1	NOT SUPPLIED LOOSE
3	957000002480	A	BUSH FOR INTERMEDIATE GEAR(S/F)	1	
4	957000002490	A	SUPPORT FOR INTERMEDIATE GEAR	1	
5	957000002500	A	RETAINING PLATE (FOR INT.GEAR)	1	
6	957000002510	A	SET BOLT - M8X1.25X70 - 8.8	3	

LOP INTERMEDIATE GEAR AND SUPPORT

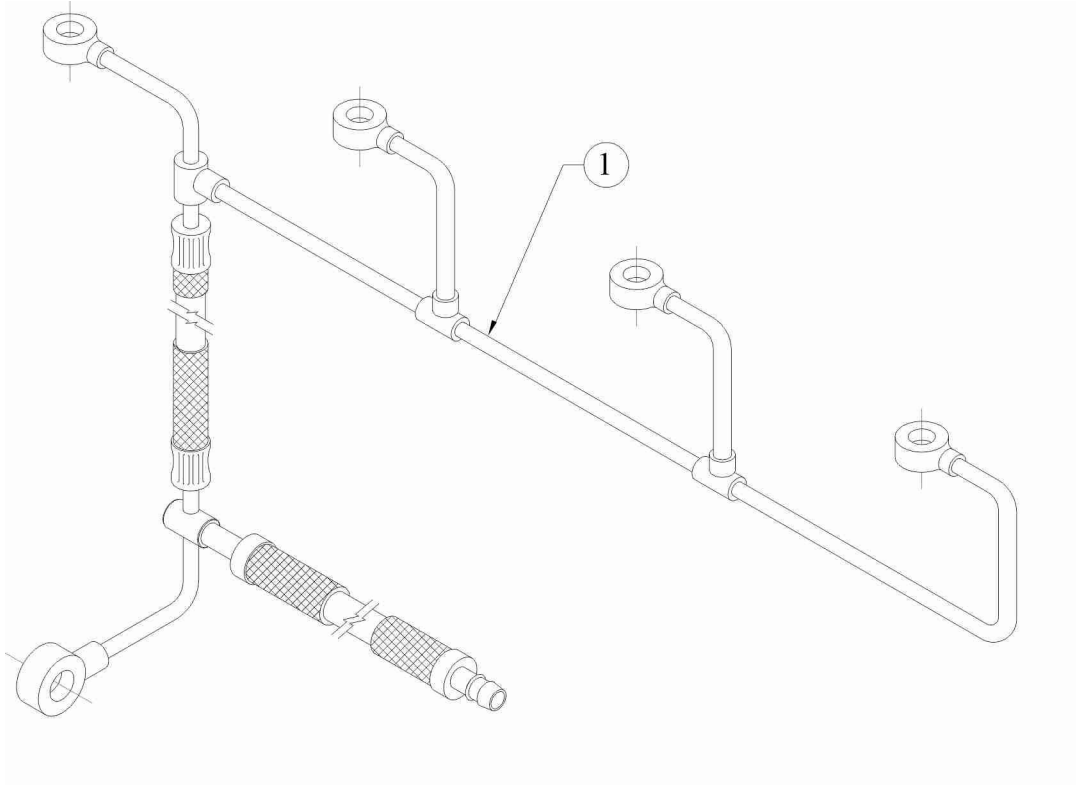
FIGURE NO: - 03.32



S. No	Part No	REV	DESCRIPTION	QTY	REMARKS
1	957000002520	A	SHAFT FOR LUB OIL PUMP (INTERMEDIATE GEAR)	1	
2	957000002530	A	HARD WASHER (FOR INT. GEAR	1	
3	957000002540	A	SUB.ASSLY.OF L.O.PUMP INT.GEAR AND BUSH.	1	CONSISTING OF SR. NO.4 & 5
4	957000002550	A	INTERMEDIATE GEAR (FOR L.O.PUMP) (FINISH)	1	NOT SUPPLIED LOOSE
5	957000002560	A	BUSH FOR LEVER	1	
6	957000002570	A	SET BOLT - M8X1.25X75 - 8.8	1	

LEAK OFF PIPE ASSLY

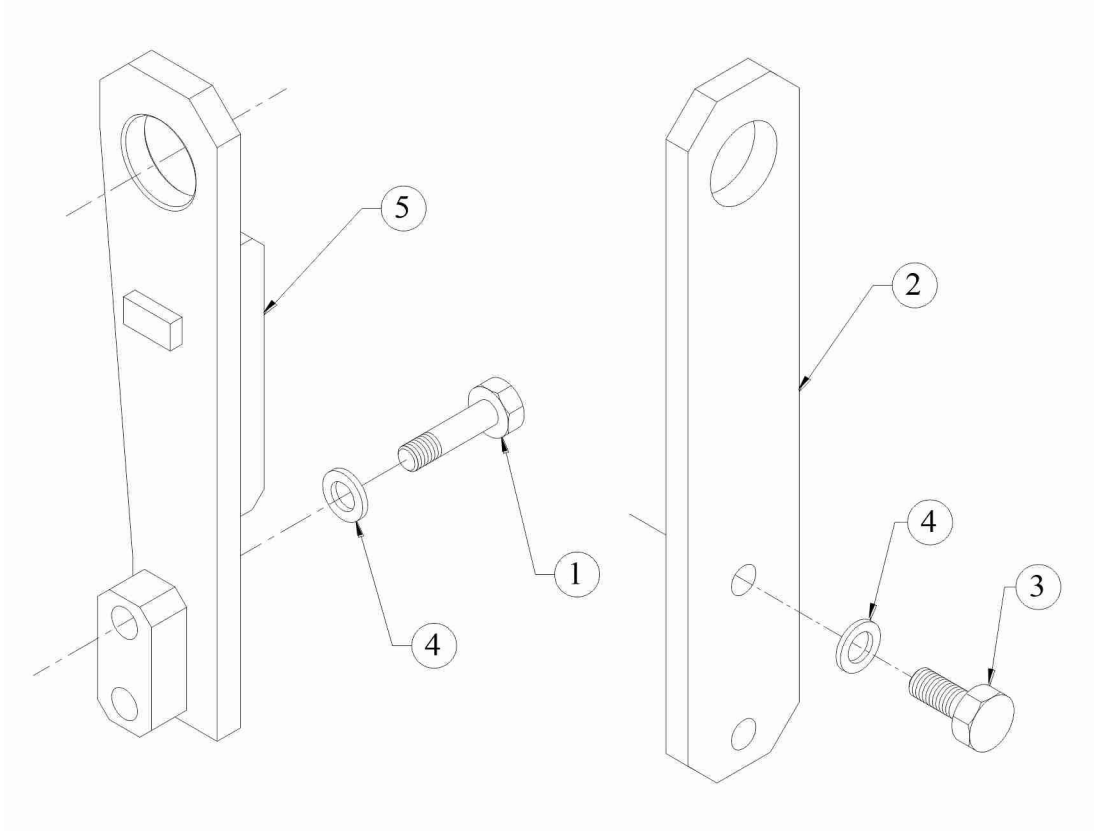
FIGURE NO: - 03.33



S. No	Part No	REV	DESCRIPTION	QTY	REMARKS
1	957000002580	A	LEAK OFF PIPE ASSEMBLY	1	

LIFTING HOOK (S/F 440 CRS WATER PUMP)

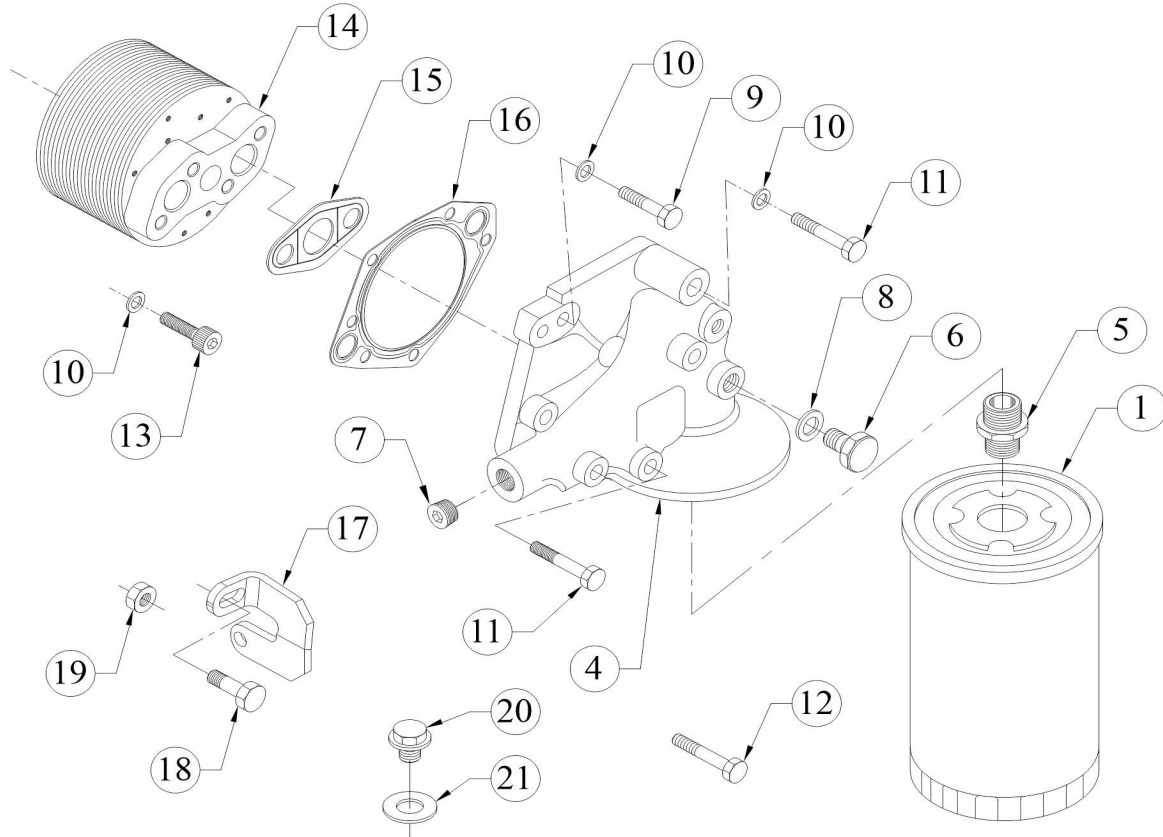
FIGURE NO: - 03.34



S. No	Part No	REV	DESCRIPTION	QTY	REMARKS
1	957000002590	A	SET BOLT - M10X1.5X40 - 8.8	2	
2	957000002600	A	LIFTING HOOK (FWE)	1	
3	957000002610	A	SET SCREW - M10X1.5X30 - 8.8	2	
4	957000002620	A	PLAIN MACHINED WASHER - M10	4	
5	957000002630	A	LIFTING HOOK (GEAR END SIDE)	1	

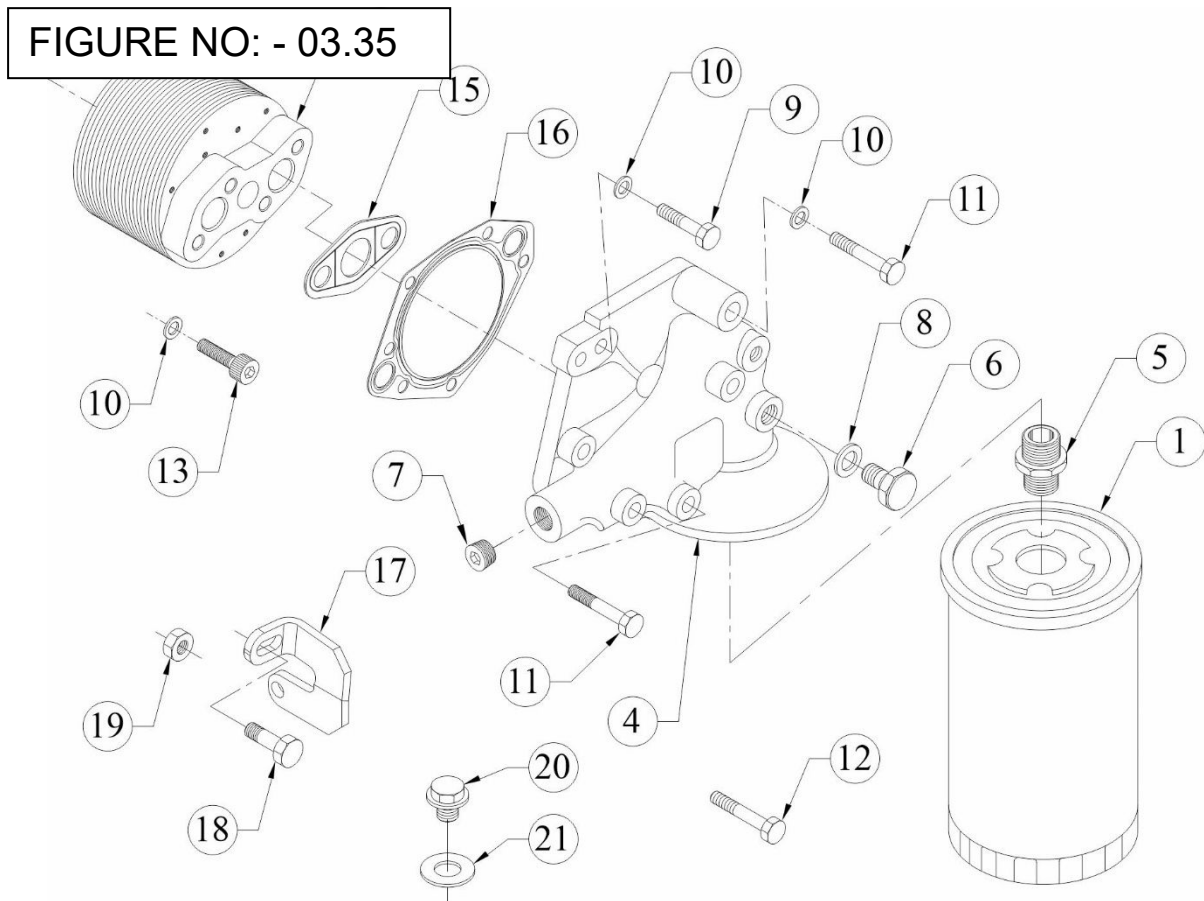
LUB OIL COOLER (8 PLATE COOLER) AND SPIN ON FILTER

FIGURE NO: - 03.35



S. No	Part No	REV	DESCRIPTION	QTY	REMARKS
1	200593400400	A	SPIN ON FILTER FOR LUBRICATING OIL	1	
2	957000002650	A	L.O.COOLER & HEADER ASSLY	1	CONSISTING OF SR. NO.3, & 9 TO 15
3	957000002660	A	HEADER SUB ASSLY(L.O.FILTER)	1	CONSISTING OF SR. NO.4 & 8
4	957000002670	A	HEADER (FOR L.O.AND SPIN ON FILTER)	1	
5	957000002680	A	ADAPTOR FOR SPIN ON FILTER	1	
6	957000002690	A	PRECOATED PLUG (FOR OIL GALLERY)	1	
7	957000002700	A	HEADLESS PIPE PLUG 1/2"-14 NPTF	2	
8	957000002710	A	COPPER WASHER (10X16)	1	
9	957000002720	A	SET BOLT - M8X1.25X70 - 8.8	1	
10	957000002730	A	PLAIN MACHINED WASHER - M8	6	
11	957000002740	A	SET BOLT - M8X1.25X90 - 8.8	4	

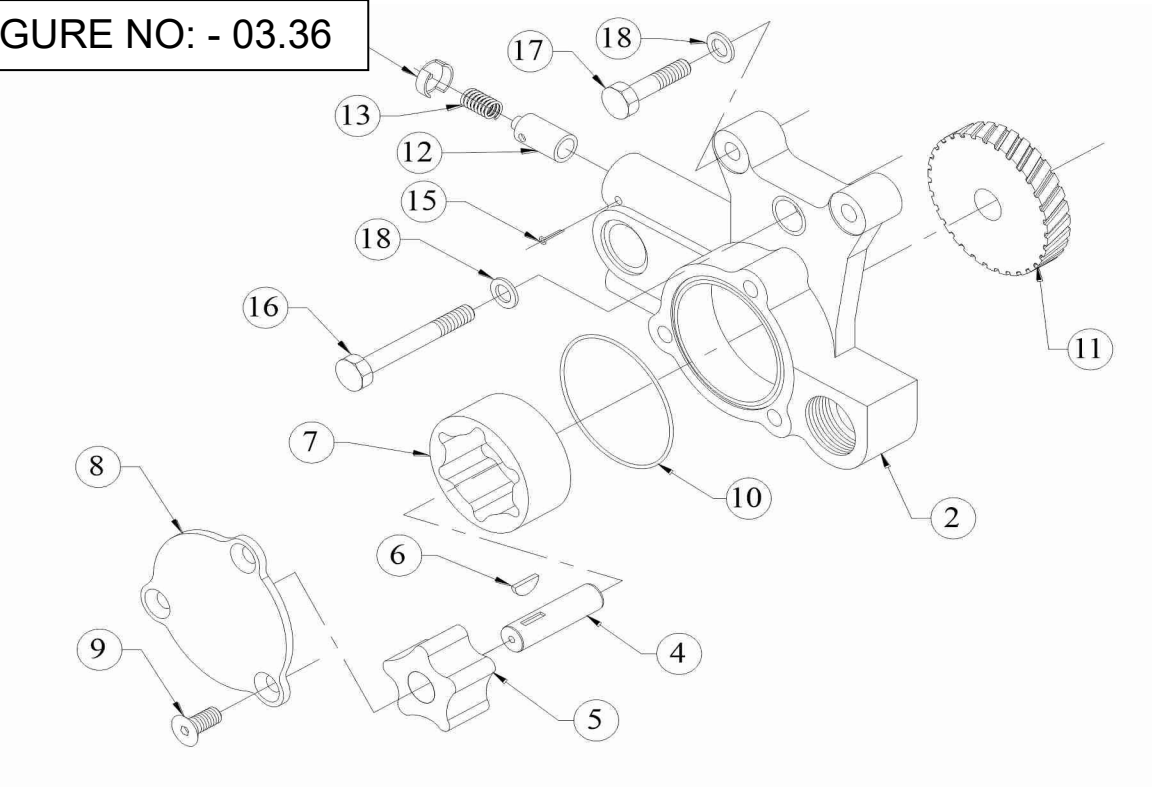
LUB OIL COOLER (8 PLATE COOLER) AND SPIN ON FILTER



S. No	Part No	REV	DESCRIPTION	QTY	REMARKS
12	957000002750	A	SET BOLT - M8X1.25X105 - 8.8	1	
13	957000002760	A	SOCKET HEAD SCREW - M8X1.25X35 - 8.8	4	
14	957000002770	A	LUB OIL COOLER (12 PLATES)	1	
15	957000002780	A	JOINT FOR LUB OIL COOLER (NON ASBESTOS GASKET)	1	
16	957000002790	A	JOINT FOR HEADER	1	
17	957000002800	A	REAR SUPPORT BRACKET FOR BOSCH ROTARY FIP (SUITABLE FOR 4R1040)	1	
18	957000002810	A	SET BOLT - M8X1.25X20 - 8.8	1	
19	957000002820	A	NUT- M8X1.25 - GR.8.8	1	
20	957000002830	A	CORE PLUG	1	
21	957000002840	A	COPPER WASHER (10X16)	1	

LUB OIL PUMP (S/F 4CX-EJCB WITHOUT INTERMEDIATE GEAR)

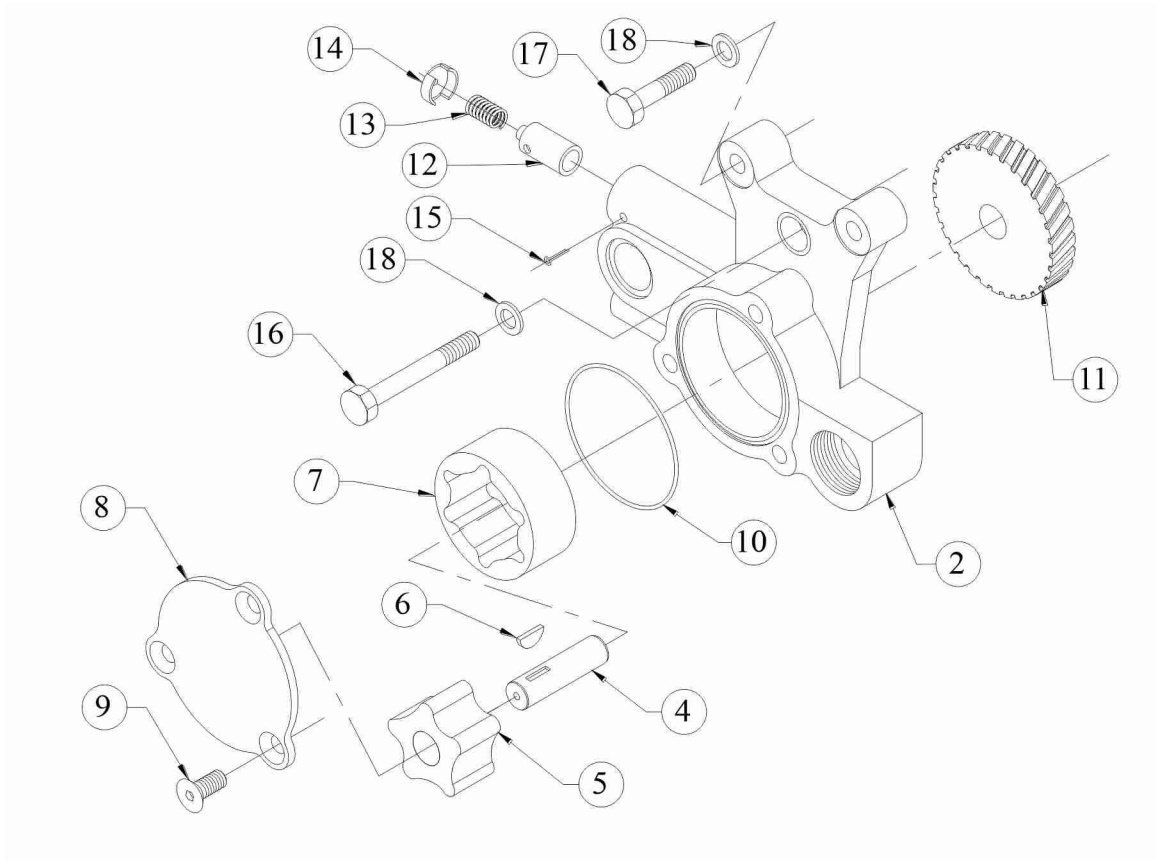
FIGURE NO: - 03.36



S. No	Part No	REV	DESCRIPTION	QTY	REMARKS
1	957000002850	A	LUBE.OIL PUMP ASSEMBLY.	1	
2	957000002860	A	SUB. ASSEMBLY OF L.O.PUMP BODY & BUSH.	1	
3	957000002870	A	ROTOR ASSLY	1	
4	957000002880	A	SHAFT	1	
5	957000002890	A	INNER ROTOR	1	
6	957000002900	A	WOODRUFF KEY	1	
7	957000002910	A	OUTER ROTOR	1	
8	957000002920	A	COVER PLATE	1	
9	957000002930	A	COUNTER SUNK SOCKET HEAD SCREW.	3	
10	957000002940	A	O RING - L.O.PUMP (1.57X65, 21508)	1	
11	957000002950	A	LUB.OIL PUMP DRIVING GEAR (FINISH)	1	

LUB OIL PUMP (S/F 4CX-EJCB WITHOUT INTERMEDIATE GEAR)

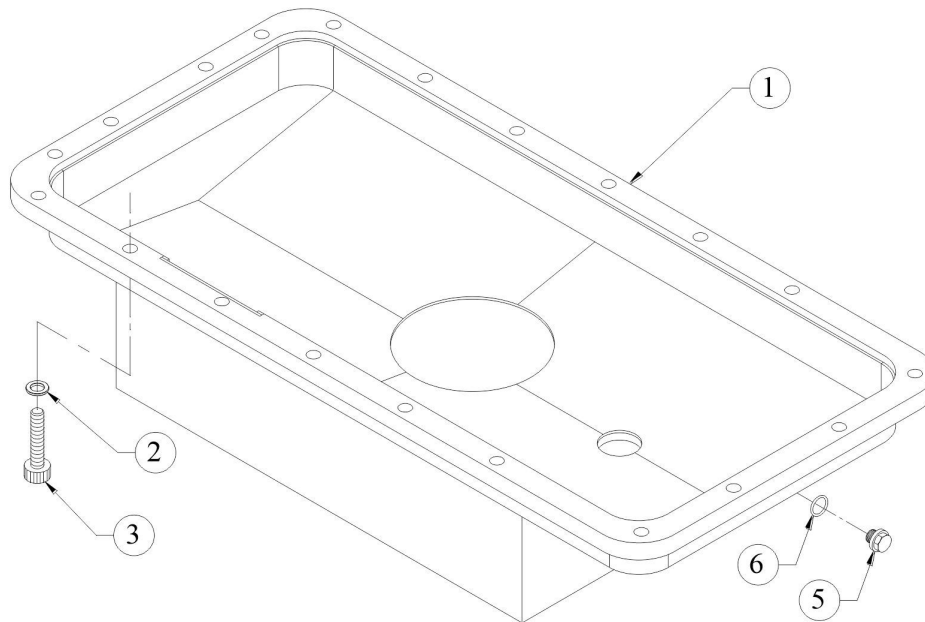
FIGURE NO: - 03.36



S. No	Part No	REV	DESCRIPTION	QTY	REMARKS
12	957000002960	A	RELIEF VALVE	1	
13	957000002970	A	SPRING (FOR RELIEF VALVE)	1	
14	957000002980	A	CUP FOR SPRING	1	
15	957000002990	A	SPLIT COTTER PIN - 1/8"X1-1/2"	1	
16	957000003000	A	SET BOLT - M8X1.25X75 - 8.8	1	
17	957000003010	A	SET BOLT - M8X1.25X35 - 8.8	2	
18	957000003020	A	PLAIN MACHINED WASHER - M8	3	

LUB OIL SUMP FABRICATED (35 DEG, 265 HT)

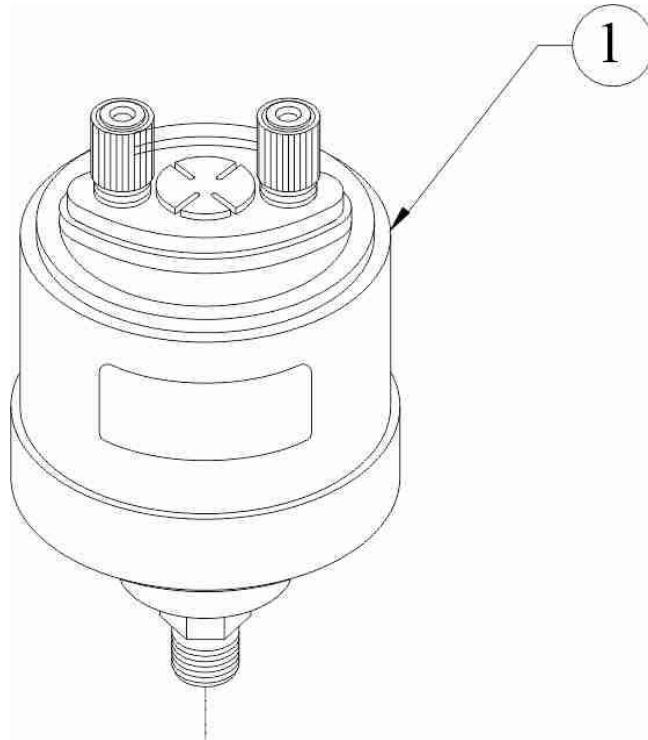
FIGURE NO: - 03.37



S. No	Part No	REV	DESCRIPTION	QTY	REMARKS
1	957000003040	A	LUBE OIL SUMP FABRICATED (35 DEG, 265 HT)	1	
2	957000003050	A	WASHER (SHEET METAL L.O.SUMP)	21	
3	957000003060	A	SOCKET HEAD SCREW -M8X1.25X25 - 8.8	21	
4	957000003070	A	PLUG WITH MAGNET & 'O'RING.	2	CONSISTING OF SR. NO.5 & 6
5	957000003080	A	DRAIN PLUG ASSEMBLY.	1	
6	957000003090	A	O - RING	1	

LUBE OIL PR. SENSOR (TWO TERMINAL WITH BODY GROUND)

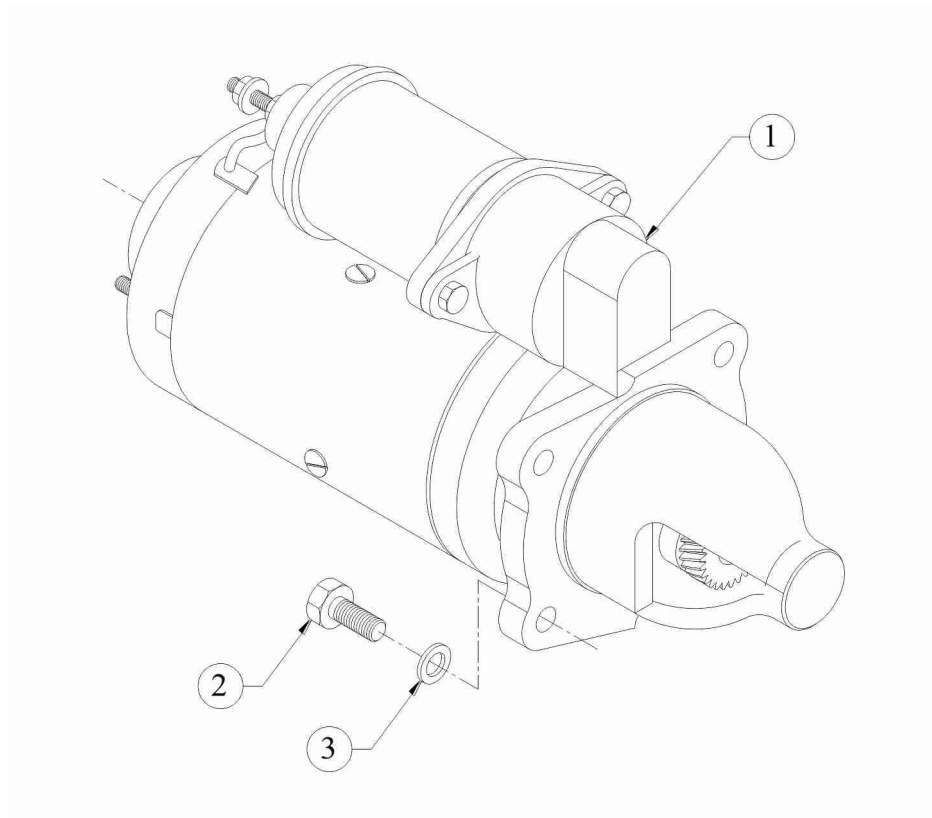
FIGURE NO: - 03.38



S. No	Part No	REV	DESCRIPTION	QTY	REMARKS
1	957000003030	A	LUBE OIL PRESSURE SENDOR, (SENSOR + SWITCH), VDO SIEMENCE (INDIA), 2 TERMINAL, BODY GROUND WITH IMPORTED BOBBIN ASSEMBLY	1	

MICO STARTER 12VDC 2.7KW SUITABLE FOR - 20 deg. C

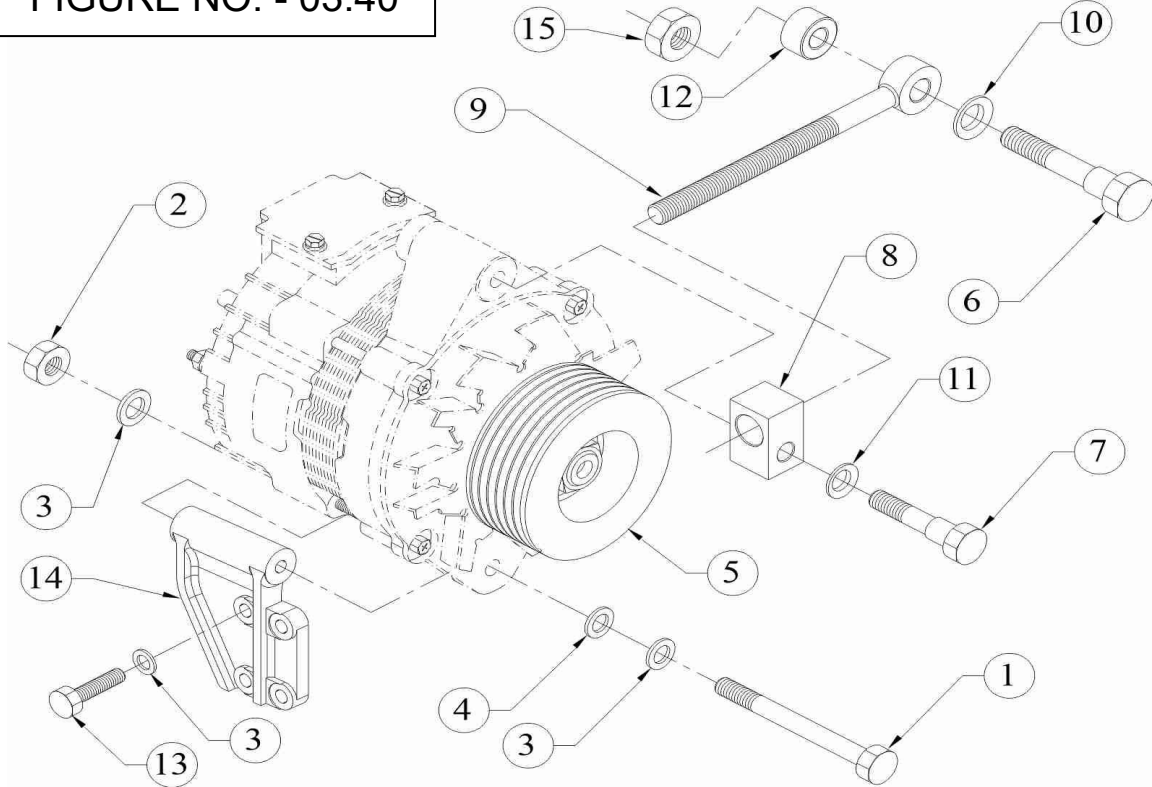
FIGURE NO: - 03.39



S. No	Part No	REV	DESCRIPTION	QTY	REMARKS
1	957000003100	A	MICO STARTER 12VDC 2.7KW SUITABLE FOR - 20 deg.	1	
2	957000003110	A	SET SCREW - M10X1.5X30 - 8.8	3	
3	957000003120	A	PLAIN MACHINED WASHER - M10	3	

MOUNTING FOR ALTERNATOR 90 65 AMPS WITH 79.1 PCD 6PK POLY V PULLEY

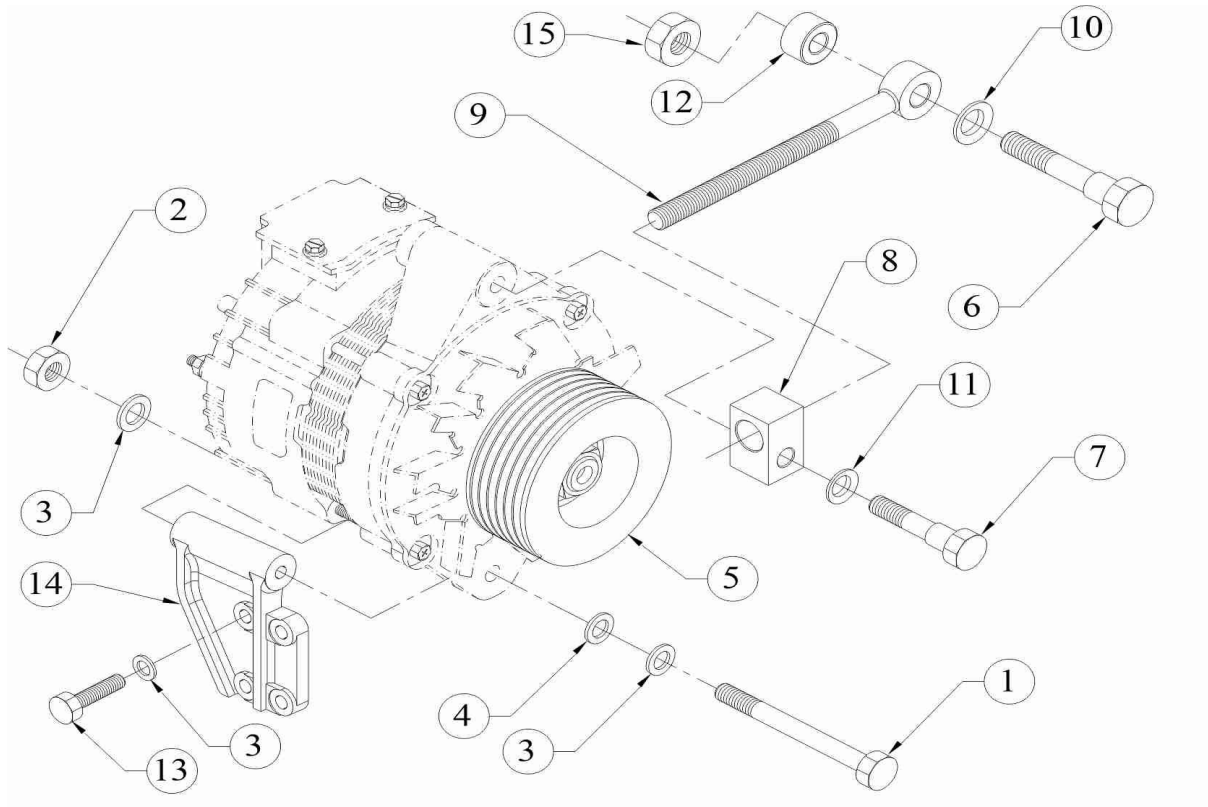
FIGURE NO: - 03.40



S. No	Part No	REV	DESCRIPTION	QTY	REMARKS
1	957000003130	A	SET BOLT - M8X1.25X120 - 8.8	1	
2	957000003140	A	NUT- M8X1.25 - GR.8.8	1	
3	957000003150	A	PLAIN MACHINED WASHER - M8	6	
4	957000003160	A	SPL.PLAIN M/CED WASHER	1	
5	957000003170	A	ALTERNATOR PULLEY WITH POLY V GROOVE (P6PK79.1)	1	
6	957000003180	A	LOCATING BOLT 80 MM (FOR EYE BOLT)	1	
7	957000003190	A	LOCATING BOLT 60 MM (FOR ALTERNATOR CLAMP)	1	
8	957000003200	A	SWIVEL PIECE	1	
9	957000003210	A	EYE BOLT (190MM)	1	
10	957000003220	A	SPL. PLAIN WASHER - M12	1	
11	957000003230	A	SPECIAL PLAIN WASHER - M10	1	

MOUNTING FOR ALTERNATOR 90 65 AMPS WITH 79.1 PCD 6PK POLY V PULLEY

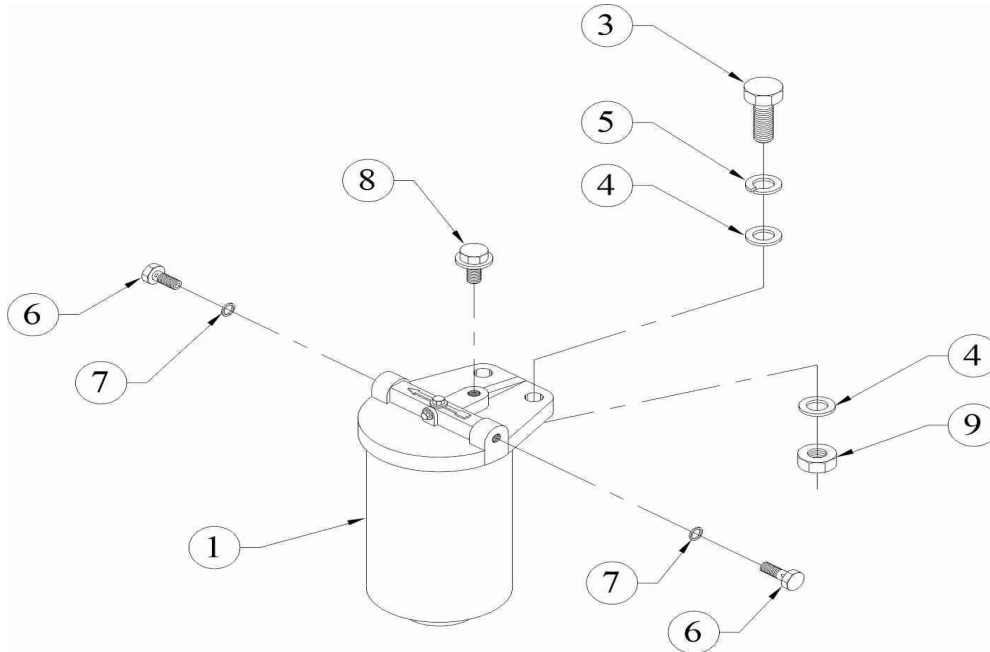
FIGURE NO: - 03.40



S. No	Part No	REV	DESCRIPTION	QTY	REMARKS
12	957000003240	A	SPACER 11 I.D. X 24 O.D. X 25.5 L	1	
13	957000003250	A	SET SCREW - M8X1.25X25 - 8.8	4	
14	957000003260	A	BRACKET FOR ALTERNATOR MOUNTING	1	
15	957000003270	A	NUT - M10X1.5 - GR.8.8	2	

MUD COLLECTOR BSIII

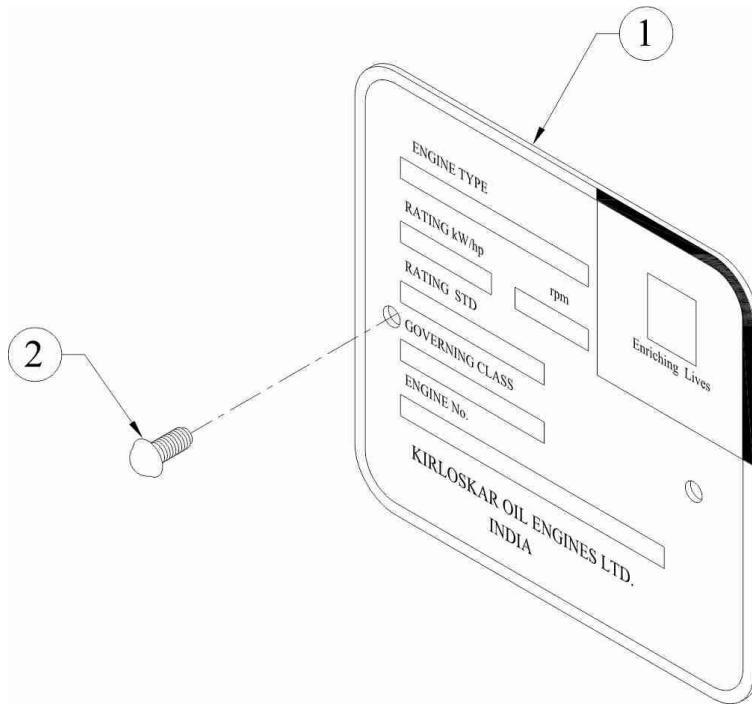
FIGURE NO: - 03.41



S. No	Part No	REV	DESCRIPTION	QTY	REMARKS
1	200593424000	A	MUD COLLECTOR - FILTER	1	CONSISTING OF SR. NO.2
2	957000003290	A	FUEL FILTER ELEMENT PRE	1	NOT ILLUSTRATED
3	957000003300	A	SET SCREW - M12X1.75X45 - 8.8	2	
4	957000003310	A	PLAIN MACHINED WASHER - M12	4	
5	957000003320	A	SPRING WASHER - M12	2	
6	957000003330	A	BANJO BOLT - M14X1.5	2	
7	957000003340	A	COPPER WASHER (14X18)	5	
8	957000003350	A	PLUG (M14X1.5)	1	
9	957000003360	A	NUT - M12X1.75 - GR.8	2	

NAME PLATE

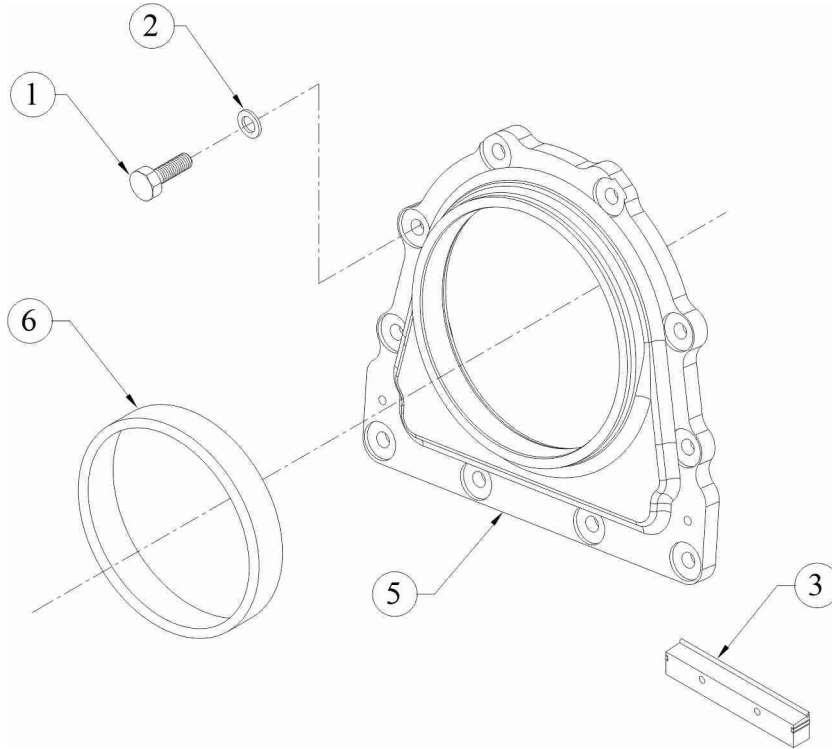
FIGURE NO: - 03.42



S. No	Part No	REV	DESCRIPTION	QTY	REMARKS
1	957000003370	A	NAME PLATE	1	
2	957000003380	A	P K DRIVE SCREW 1/8"X3/8" (RIVET)	2	

OIL SEAL HOUSING (FLYWHEEL END)

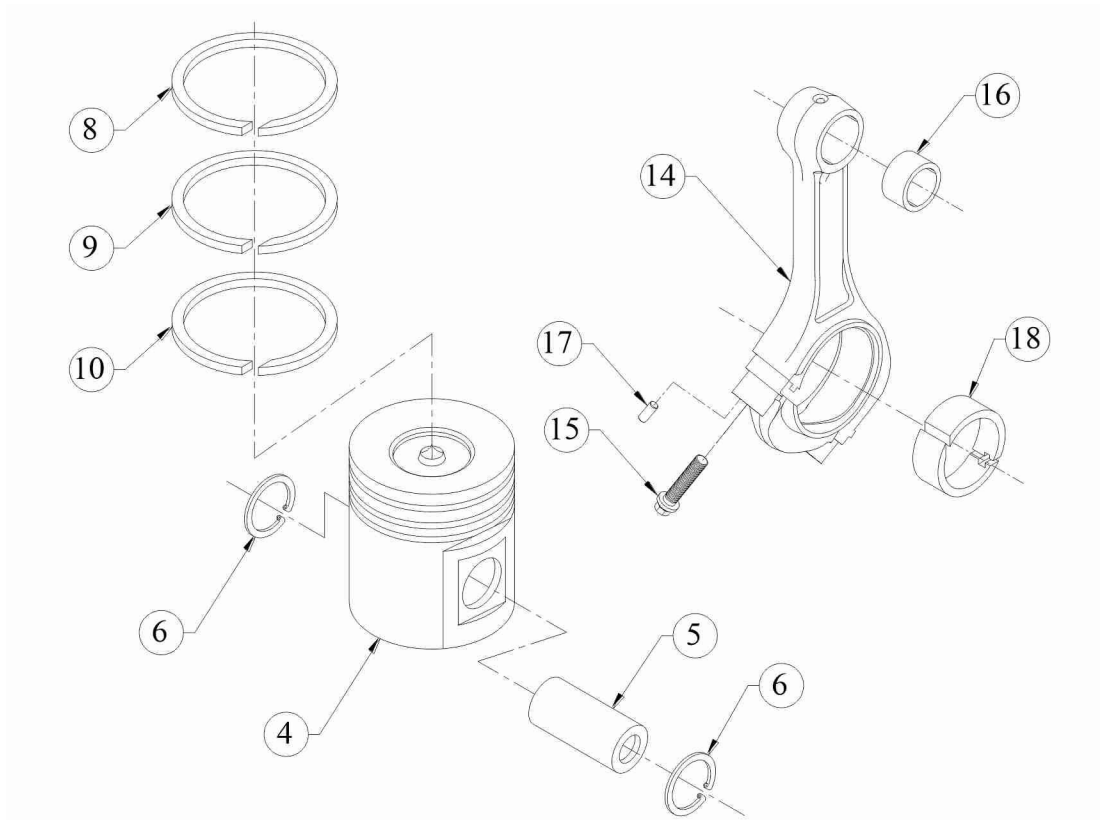
FIGURE NO: - 03.43



S. No	Part No	REV	DESCRIPTION	QTY	REMARKS
1	957000003390	A	SET SCREW - M8X1.25X20 - 8.8	10	
2	957000003400	A	PLAIN MACHINED WASHER - M8	10	
3	957000003410	A	PLATE(WITH RUBBER MOULDING)	1	
4	957000003420	A	SUB ASSEMBLY OF OIL SEAL HOUSING	1	CONSISTING OF SR. NO.5,6
5	957000003430	A	OIL SEAL HSG.(F.W.E.)	1	
6	957000003440	A	OIL SEAL(115X140X12) CR MAKE	1	

PISTON & CON ROD (TURBOCHARGED ENGINE)

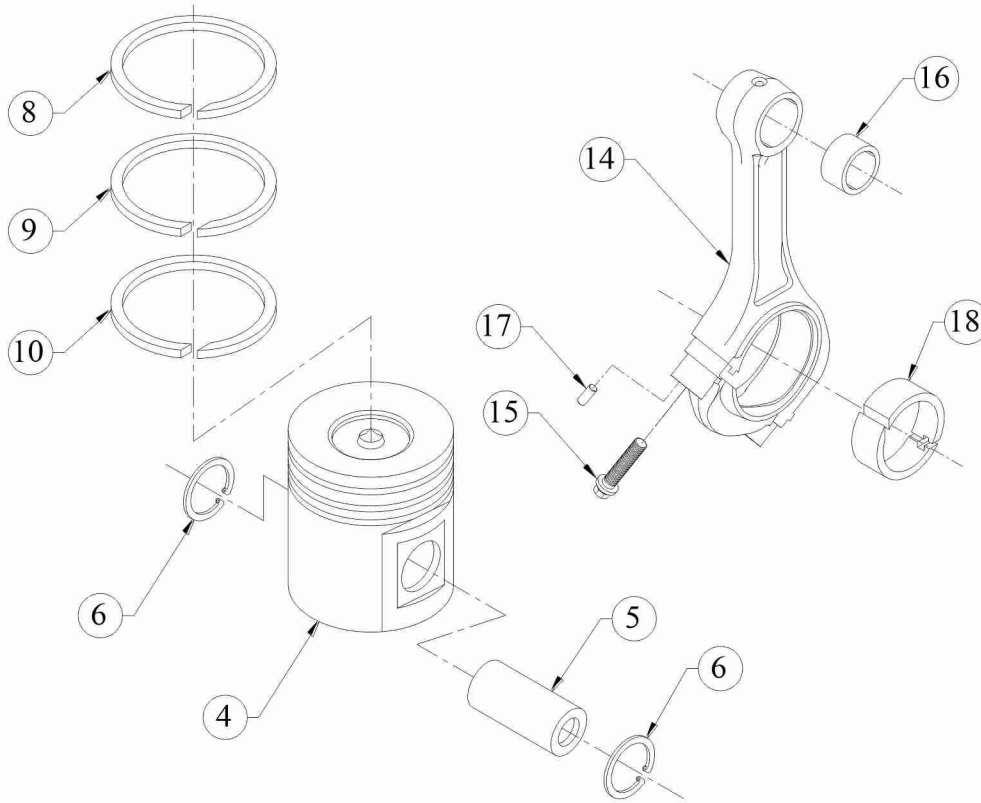
FIGURE NO: - 03.44



S. No	Part No	REV	DESCRIPTION	QTY	REMARKS
1	957000003450	A	PISTON AND CONROD ASSLY (TURBOCHARGED ENGINE)	1	CONSISTING OF SR. NO.2 & 11 NOT SUPPLIED ASSEMBLY
2	957000003460	A	PISTON ASSEMBLY COMPLETE	1	CONSISTING OF SR. NO.3,7 & 12
3	957000003470	A	PISTON WITH PIN	1	CONSISTING OF SR. NO.4 TO 6
4	957000003480	A	PISTON (TURBOCHARGED ENGINE)	1	NOT SUPPLIED LOOSE
5	957000003490	A	PISTON PIN	1	
6	957000003500	A	CIRCLIP (INTERNAL)-35 MM	2	
7	957000003510	A	PISTON RING SET (105 DIA.)	1	CONSISTING OF SR. NO.8 TO 10
8	957000003520	A	TOP RING (105 DIA)	1	NOT SUPPLIED LOOSE
9	957000003530	A	COMPRESSION RING (105 DIA)	1	NOT SUPPLIED LOOSE
10	957000003540	A	OIL CONTROL RING (105 DIA)	1	NOT SUPPLIED LOOSE

PISTON & CON ROD (TURBOCHARGED ENGINE)

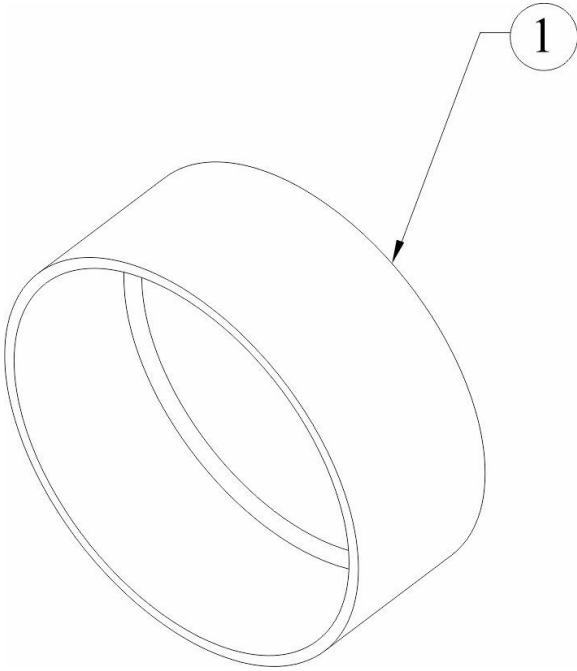
FIGURE NO: - 03.44



S. No	Part No	REV	DESCRIPTION	QTY	REMARKS
11	957000003550	A	CONNECTING ROD	1	CONSISTING OF SR. NO.12
12	957000003560	A	CONNECTING ROD ASSEMBLY	1	CONSISTING OF SR. NO.13 & 18
13	957000003570	A	CON ROD ASSEMBLY (WITHOUT LE BEARING)	1	CONSISTING OF SR. NO.14 TO 17
14	957000003580	A	CONNECTING ROD MACHINING	1	NOT SUPPLIED LOOSE
15	957000003590	A	CONNECTING ROD BOLT	2	
16	957000003600	A	SMALL END BUSH (S/F)	1	
17	957000003610	A	DOWEL PIN	2	
18	957000003620	A	CONNECTING ROD BIG END BEARING(NA)	2	NOT SUPPLIED LOOSE

PLASTIC CAP FOR INLET ADAPTOR

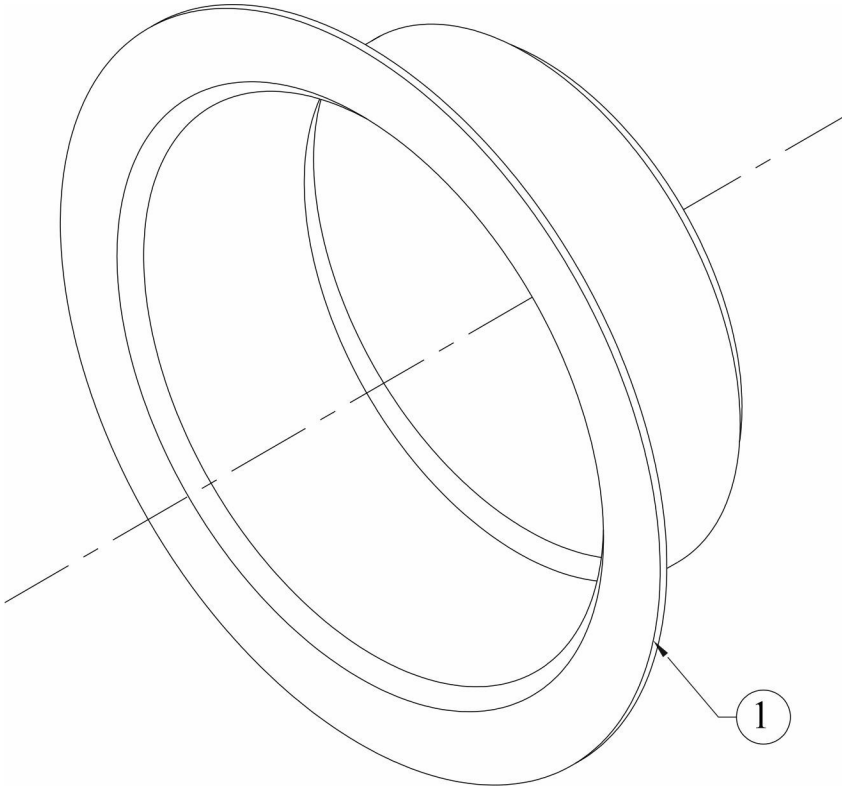
FIGURE NO: - 03.45



S. No	Part No	REV	DESCRIPTION	QTY	REMARKS
1	957000003630	A	PLASTIC CAP FOR INLET ADAPTOR	1	

PLUG FOR INLET MANIFOLD

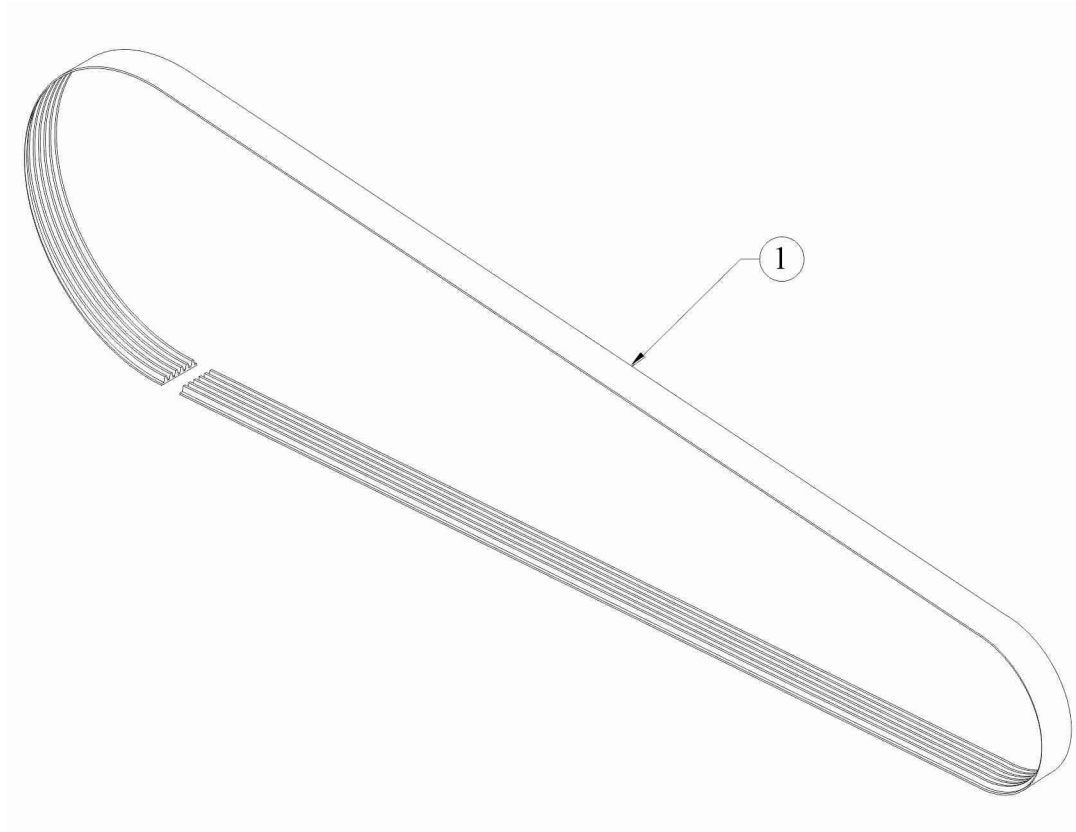
FIGURE NO: - 03.46



S. No	Part No	REV	DESCRIPTION	QTY	REMARKS
1	957000003640	A	PLUG FOR INLET MANIFOLD	1	

POLY V BELT

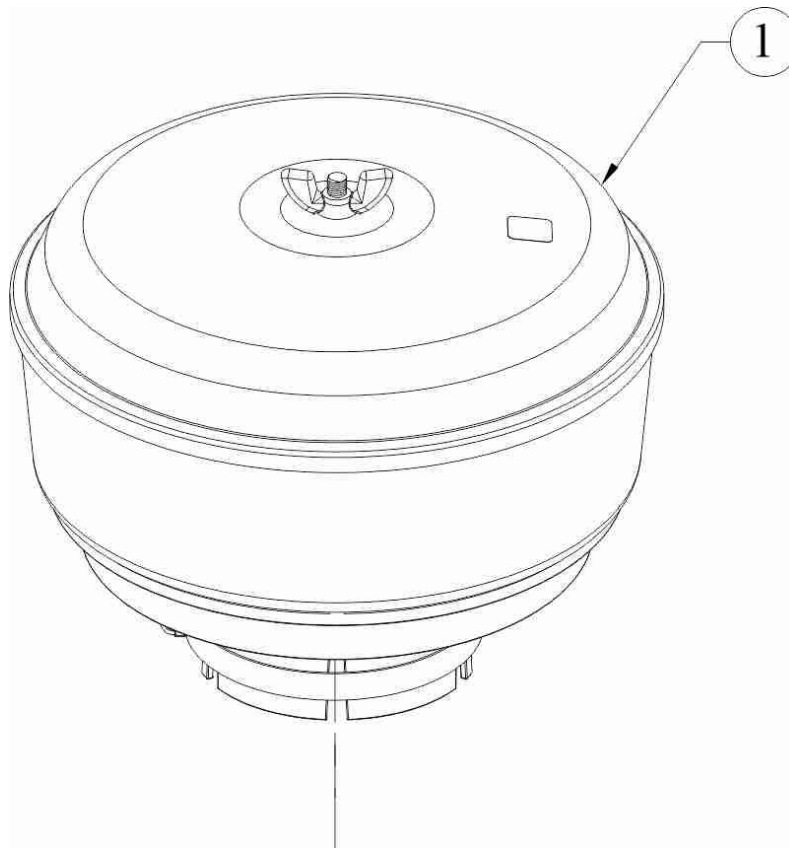
FIGURE NO: - 03.47



S. No	Part No	REV	DESCRIPTION	QTY	REMARKS
1	957000003650	A	POLY V BELT	1	

PRE CLEANER BS- III

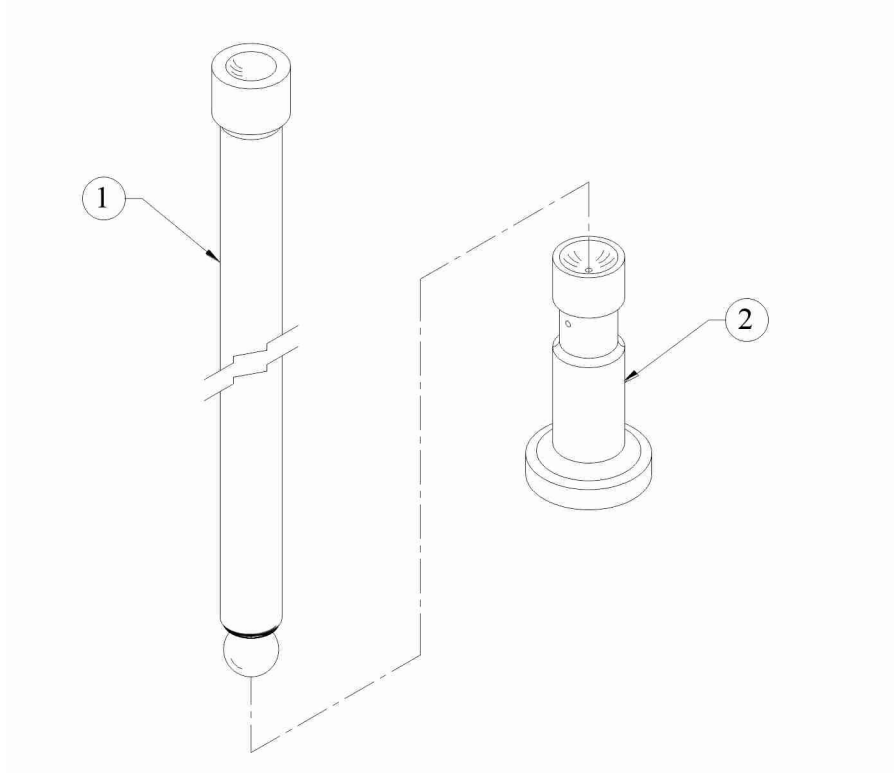
FIGURE NO: - 03.48



S. No	Part No	REV	DESCRIPTION	QTY	REMARKS
1	957000003660	A	PRE-CLEANER ASSLY.(FOR DRY TYPE AIR CLEANER)	1	

PUSHROD & TAPPETS

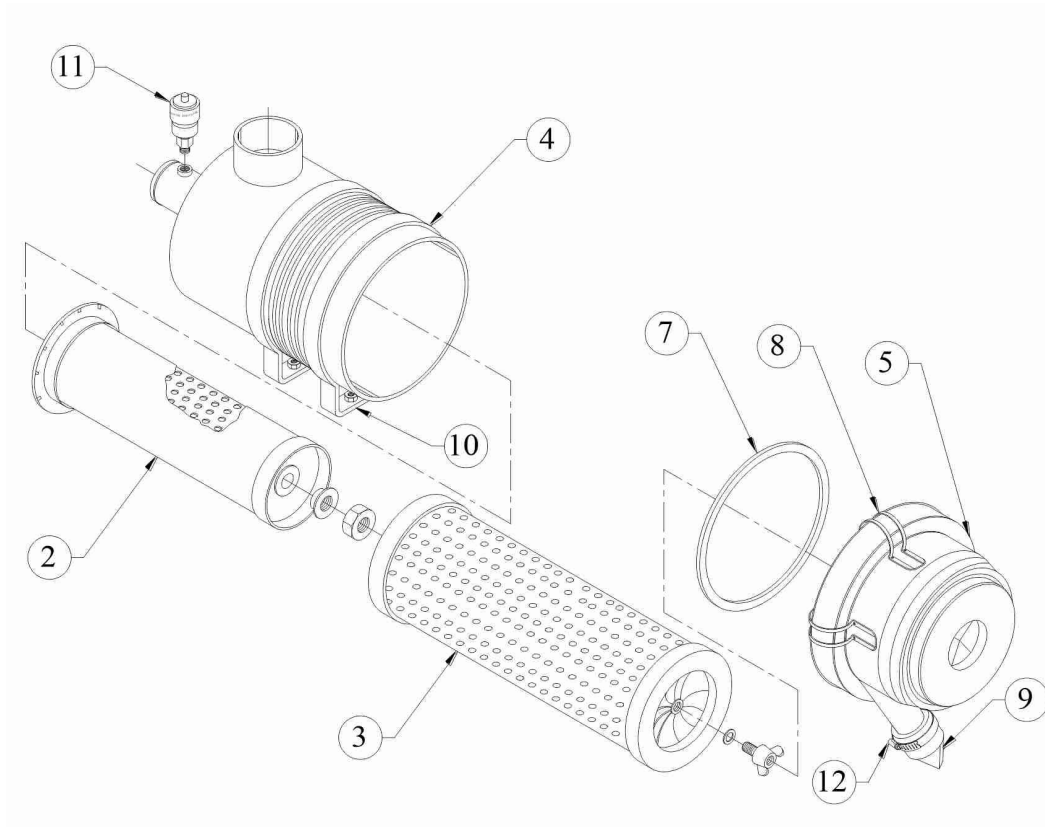
FIGURE NO: - 03.49



S. No	Part No	REV	DESCRIPTION	QTY	REMARKS
1	957000003670	A	PUSH ROD (WELDED)	2	
2	957000003680	A	VALVE TAPPET	2	

RADIAL SEAL AIR CLEANER 8 CU. M PER MIN

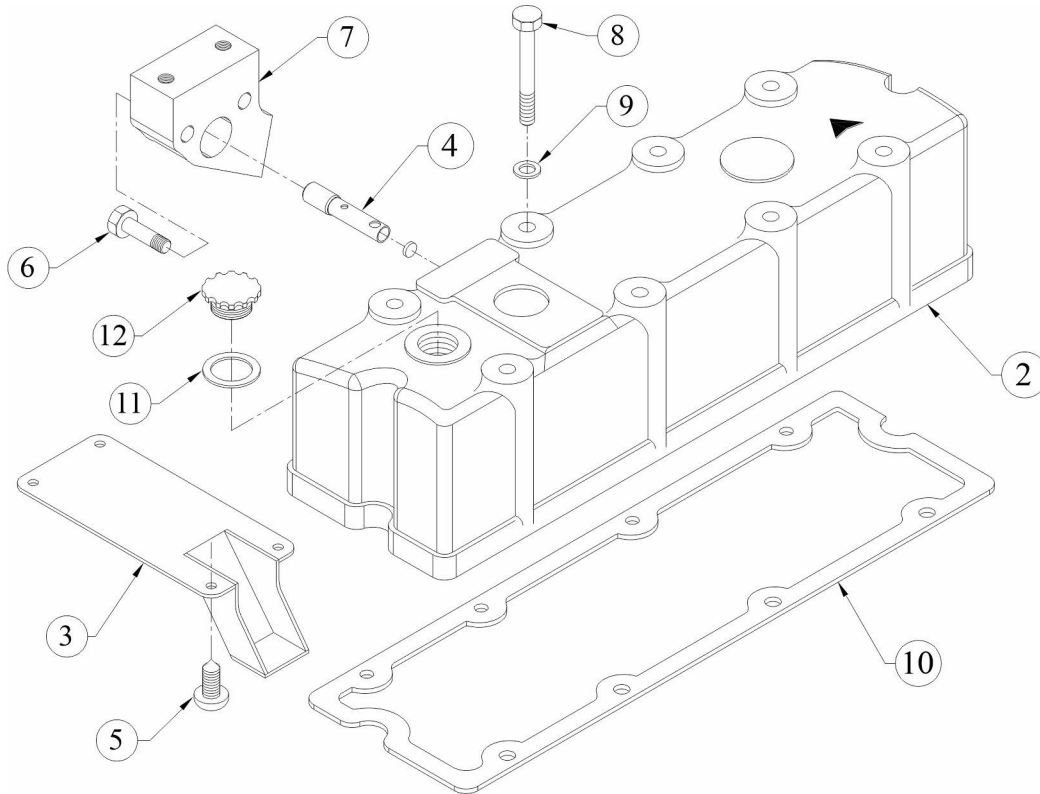
FIGURE NO: - 03.50



S. No	Part No	REV	DESCRIPTION	QTY	REMARKS
1	95700003690	A	AIR CLEANER ASSEMBLY WITH SAFETY ELEMENT (KFA-01-7221) 8 CUM PER MIN	1	CONSISTING OF SR. NO.2 TO 10
2	95700003700	A	AIR FILTER INNER	1	
3	95700003710	A	AIR FILTER OUTER	1	
4	95700003720	A	HOUSING (1950117221)	1	NOT SUPPLIED LOOSE
5	95700003730	A	COVER (1952717221)	1	
6	95700003740	A	CYCLOPACK SHROUD (1955027221)	1	NOT ILLUSTRATED
7	95700003750	A	FLAT SEAL RING (1794517221)	1	
8	95700003760	A	WIRE CLAMPS (2302217133)	3	
9	95700003770	A	VACCUATOR VALVE (1878417168)	1	
10	95700003780	A	MOUNTING BRACKET (2304717221)	1	
11	95700003790	A	RESTRICTION INDICATOR - 20"W.G.	1	
12	95700003800	A	WORM DRIVE HOSE CLIP (48 MM)	1	

ROCKER COVER (TURBO ENGINE) CASTING

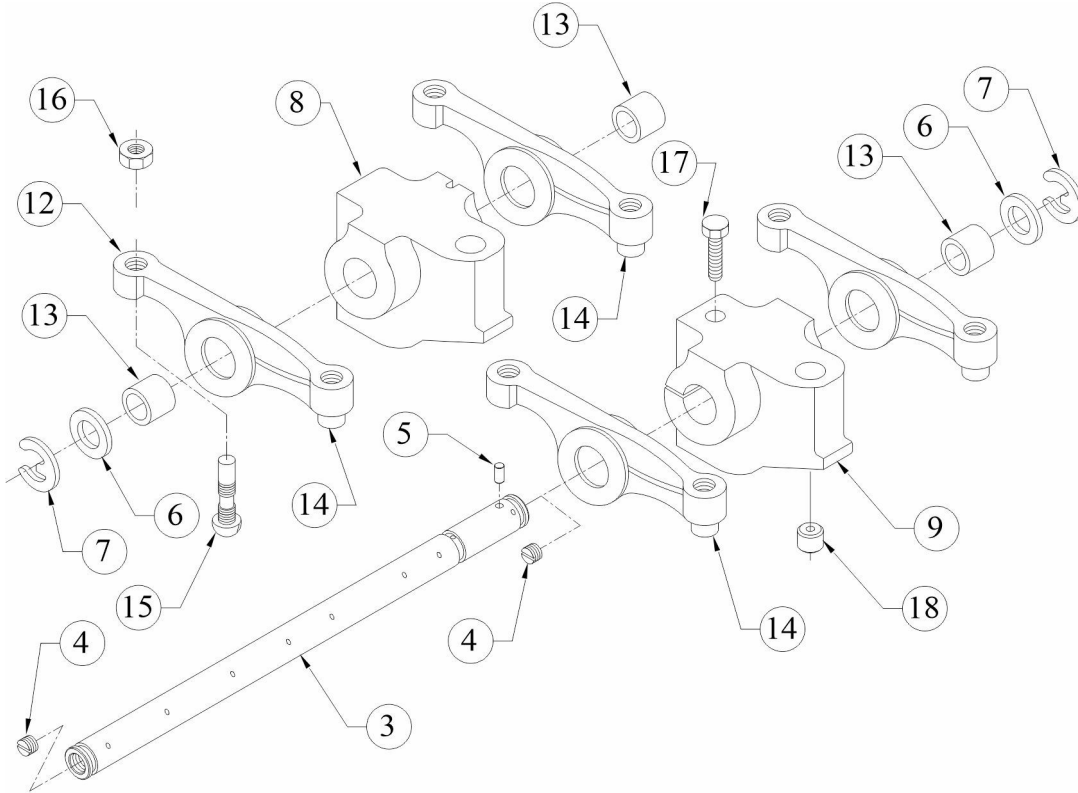
FIGURE NO: - 03.51



S. No	Part No	REV	DESCRIPTION	QTY	REMARKS
1	95700003810	A	ROCKER COVER ASSEMBLY GE TOP LUB OIL FILLING	1	CONSISTING OF SR. NO.2 TO 7
2	95700003820	A	ROCKER COVER 4RT G.E. LOUB OIL FILLING	1	
3	955800205000	A	DEFLECTOR PLATE	1	
4	955800205100	A	BREATHER PIPE	1	NOT SUPPLIED LOOSE
5	955800205200	A	P K DRIVE SCREW 1/8"X3/8" (RIVET)	4	
6	955800205400	A	SET BOLT - M8X1.25X45 - 8.8	2	
7	955800205300	A	ADAPTOR FOR BREATHER PIPE	1	NOT SUPPLIED LOOSE
8	955800205500	A	SET BOLT - M8X1.25X100 - 8.8	8	
9	955800205600	A	PLAIN MACHINED WASHER - M8	8	
10	957000003900	A	JOINT FOR ROCKER COVER	1	
11	957000003910	A	SEALING WASHER (FOR OIL FILLING CAP)	1	
12	957000003920	A	OIL FILLER CAP	1	

ROCKER SUPPORT ASSLY (LOW FREQ. TAPPET ADJ)

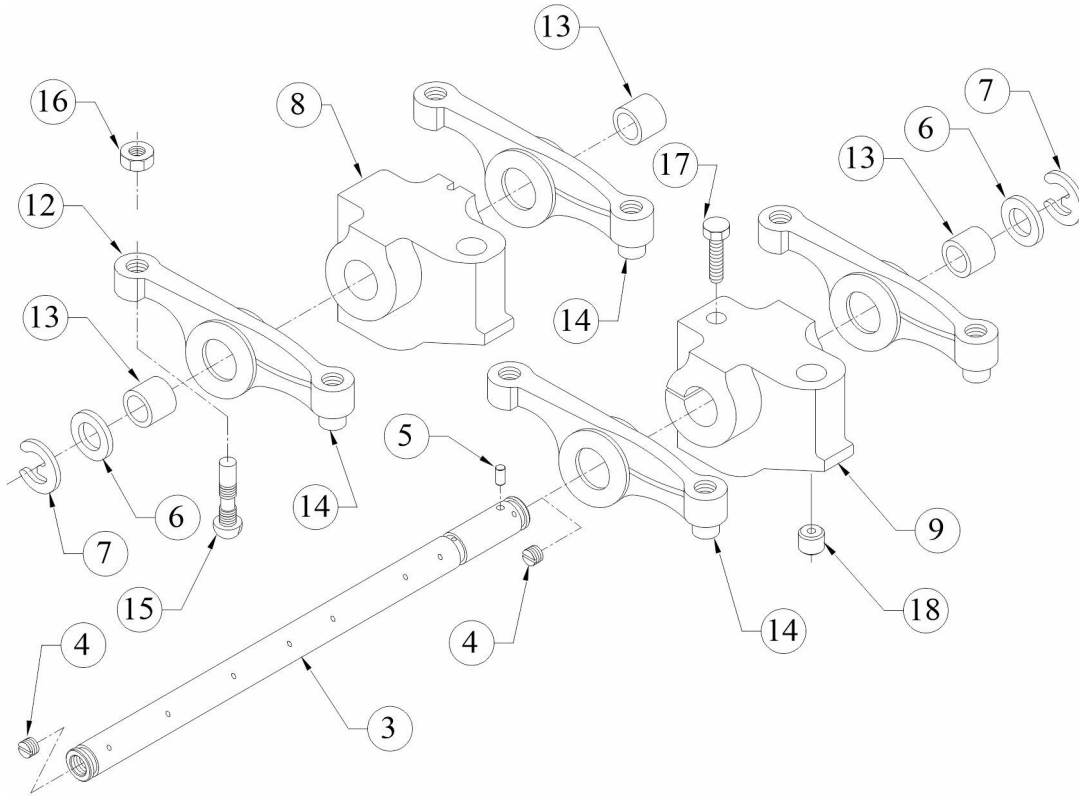
FIGURE NO: - 03.52



S. No	Part No	REV	DESCRIPTION	QTY	REMARKS
1	957000003930	A	ROCKER SUPPORT ASSEMBLY COMPLETE (E TYPE CIRCLIP)	1	CONSISTING OF SR. NO.2,6 TO 10 & 17
2	957000003940	A	ROCKER SHAFT SUB ASSLY (S/F 'E' TYPE CIRCLIP)	1	CONSISTING OF SR. NO.3 TO 5
3	957000003950	A	ROCKER SHAFT (S/F 'E' TYPE CIRCLIP)	1	
4	957000003960	A	SOCKET HEAD GRUB SCREW - M12X10	2	
5	957000003970	A	GROOVED SOCKET PIN	1	
6	957000003980	A	WASHER(FOR ROCKER ARM)	8	
7	957000003990	A	E TYPE CIRCLIP-EXTERNAL (15 DIA.)	8	
8	957000004000	A	ROCKER SUPPORT (FWE)	1	
9	957000004010	A	ROCKER SUPPORT	3	
10	957000004020	A	ROCKER LEVER SUB ASSLY	8	CONSISTING OF SR. NO.11 & 14 TO 16 NOT SUPPLIED LOOSE
11	957000004030	A	ROCKER LEVER ASSEMBLY	1	CONSISTING OF SR. NO.12, 13

ROCKER SUPPORT ASSLY (LOW FREQ. TAPPET ADJ)

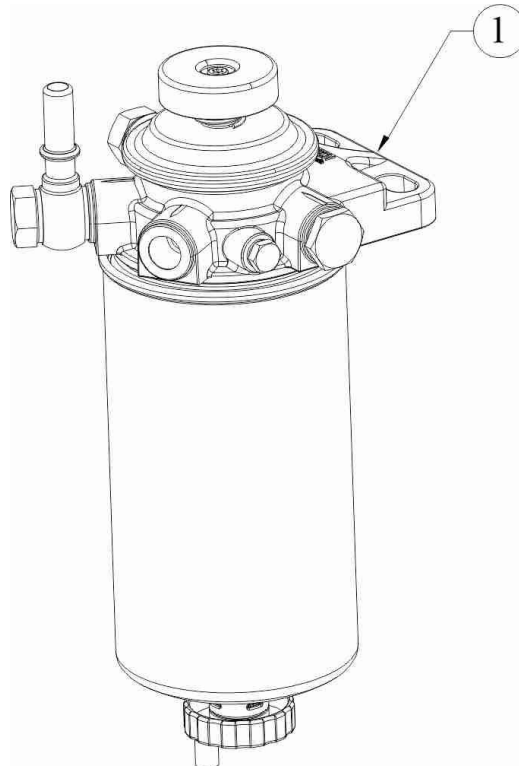
FIGURE NO: - 03.52



S. No	Part No	REV	DESCRIPTION	QTY	REMARKS
12	957000004040	A	ROCKER ARM (FINISH)	1	NOT SUPPLIED LOOSE
13	957000004050	A	V.R. BUSH (SEMI FINISH)	1	NOT SUPPLIED LOOSE
14	957000004060	A	V.R.TOE	1	NOT SUPPLIED LOOSE
15	957000004070	A	ROCKER-ARM ADJ. SCREW	1	
16	957000004080	A	NUT FOR ROCKER ADJ.SCREW	1	
17	957000004090	A	SET SCREW - M8X1.25X30 - 8.8	3	
18	957000004100	A	OIL METERING ORIFICE	1	

SPIN ON FUEL FILTER (WITH HAND PRIMER) SUITABLE FOR ROTARY PUMP

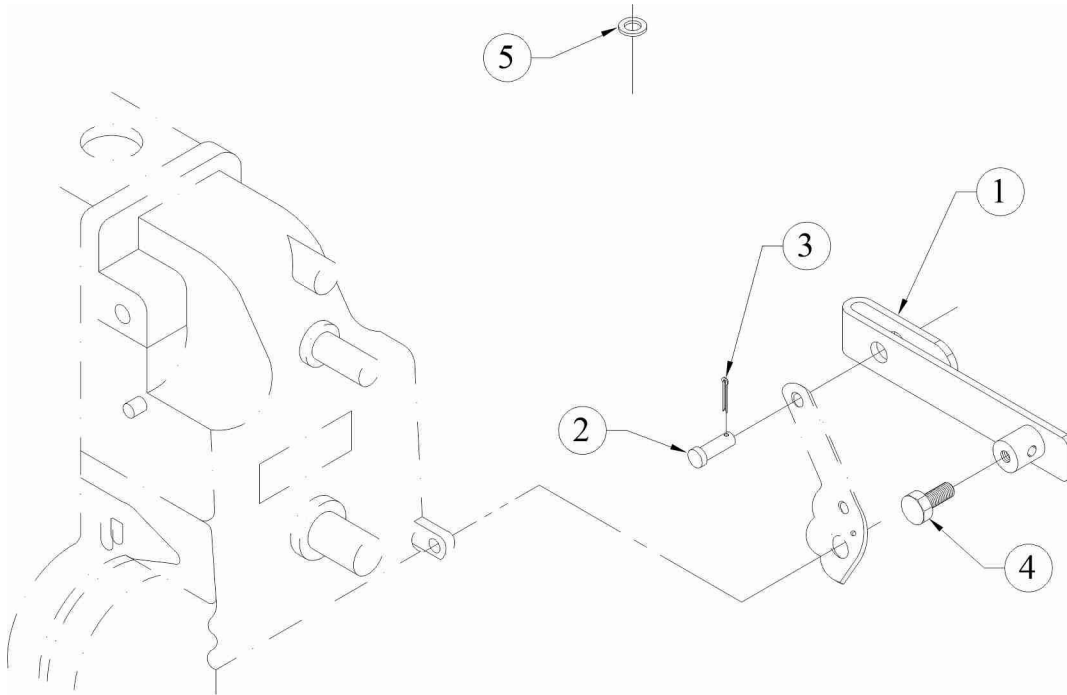
FIGURE NO: - 03.53



S. No	Part No	REV	DESCRIPTION	QTY	REMARKS
1	957000004110	A	FUEL FILTER ASSEMBLY SUITABLE FOR ROTARY FIP	1	CONSISTING OF SR. NO.2
2	200593424300	A	FUEL FILTER CARTRIDGE SUITABLE FOR ROTARY FIP	1	NOT ILLUSTRATED

STOP LEVER ARRANGEMENT FOR BS III ENGINES

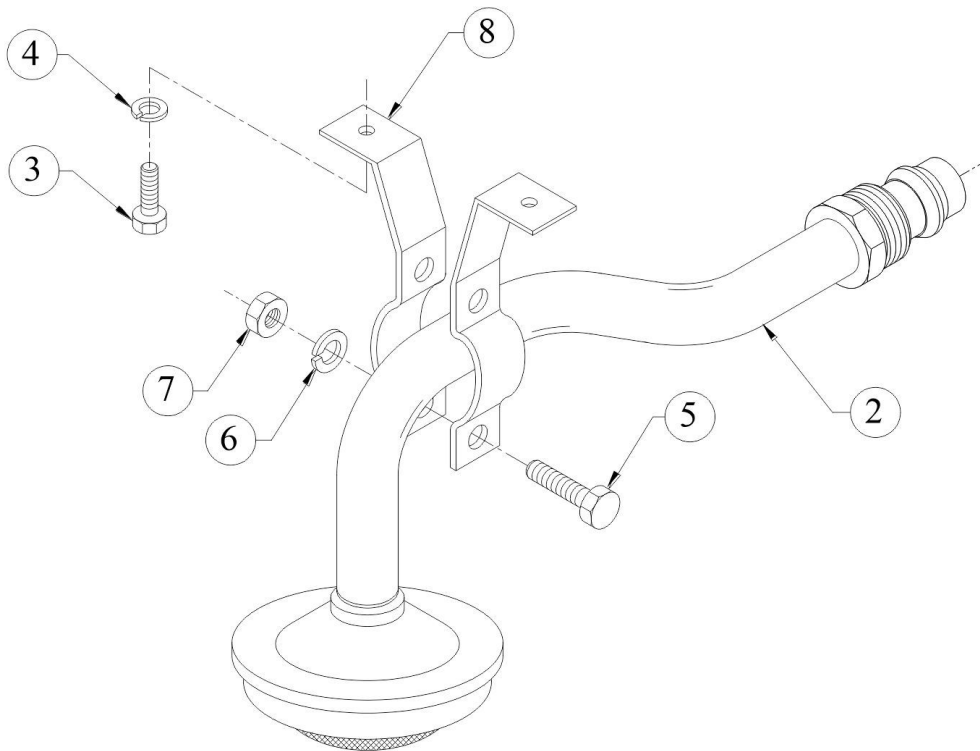
FIGURE NO: - 03.54



S. No	Part No	REV	DESCRIPTION	QTY	REMARKS
1	957000004130	A	HOLDER FOR VSC INNER CABLE	1	
2	957000004140	A	PIN (BAR)	1	
3	957000004150	A	SPLIT COTTER PIN - 1/16"X1/2"	1	
4	957000004160	A	SET SCREW - M5X0.8X10 - 8.8	1	
5	957000004170	A	PLAIN MACHINED WASHER - M6	1	

SUCTION TUBE (4R1040T FABRICATED SUMP 35 DEG INCL)

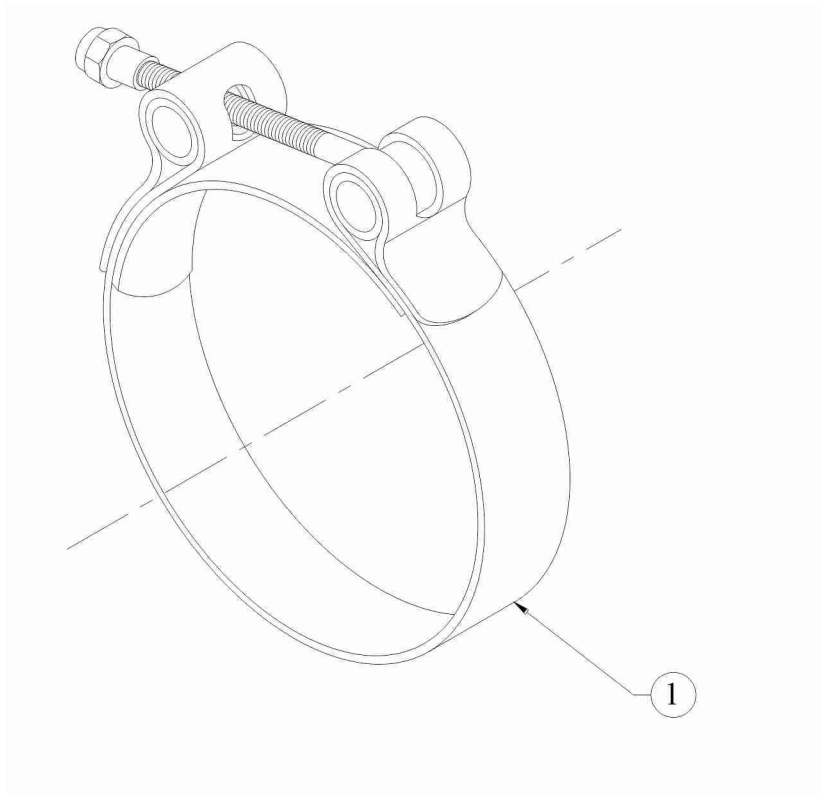
FIGURE NO: - 03.55



S. No	Part No	REV	DESCRIPTION	QTY	REMARKS
1	957000004180	A	ASSEMBLY OF SUCTION TUBE (35 DEG INCL, FAB SUMP)	1	CONSISTING OF SR. NO.2
2	957000004190	A	SUB ASSEMBLY OF SUCTION TUBE	1	CONSISTING OF SR. NO.3 to 8
3	957000004200	A	SET SCREW - M8X1.25X16 - 8.8	2	
4	957000004210	A	PLAIN MACHINED WASHER - M8	2	
5	957000004220	A	SET SCREW - M6X1X12 - 8.8	2	
6	957000004230	A	PLAIN MACHINED WASHER - M6	4	
7	957000004240	A	NUT - M6X1 - GR.8	2	
8	957000004250	A	CLAMPING STRAP	2	

T BOLT CLAMP KLIPCO TB108 / JUPITOR (108 TO 116 DIA)

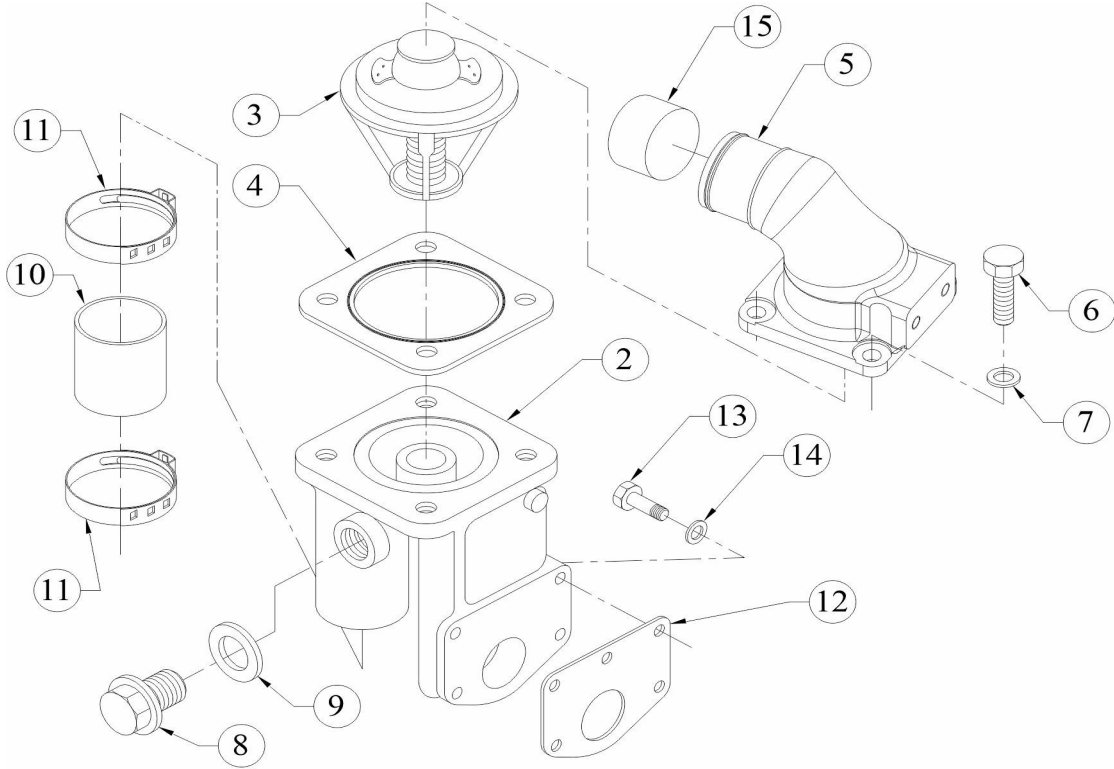
FIGURE NO: - 03.56



S. No	Part No	REV	DESCRIPTION	QTY	REMARKS
1	957000004260	A	T BOLT CLAMP KLIPCO TB108 / JUPITOR (108 TO 116 DIA)	2	CONSISTING OF SR. NO.2 TO 9

THERMOSTAT AND MOUNTING (71 MM COVER)

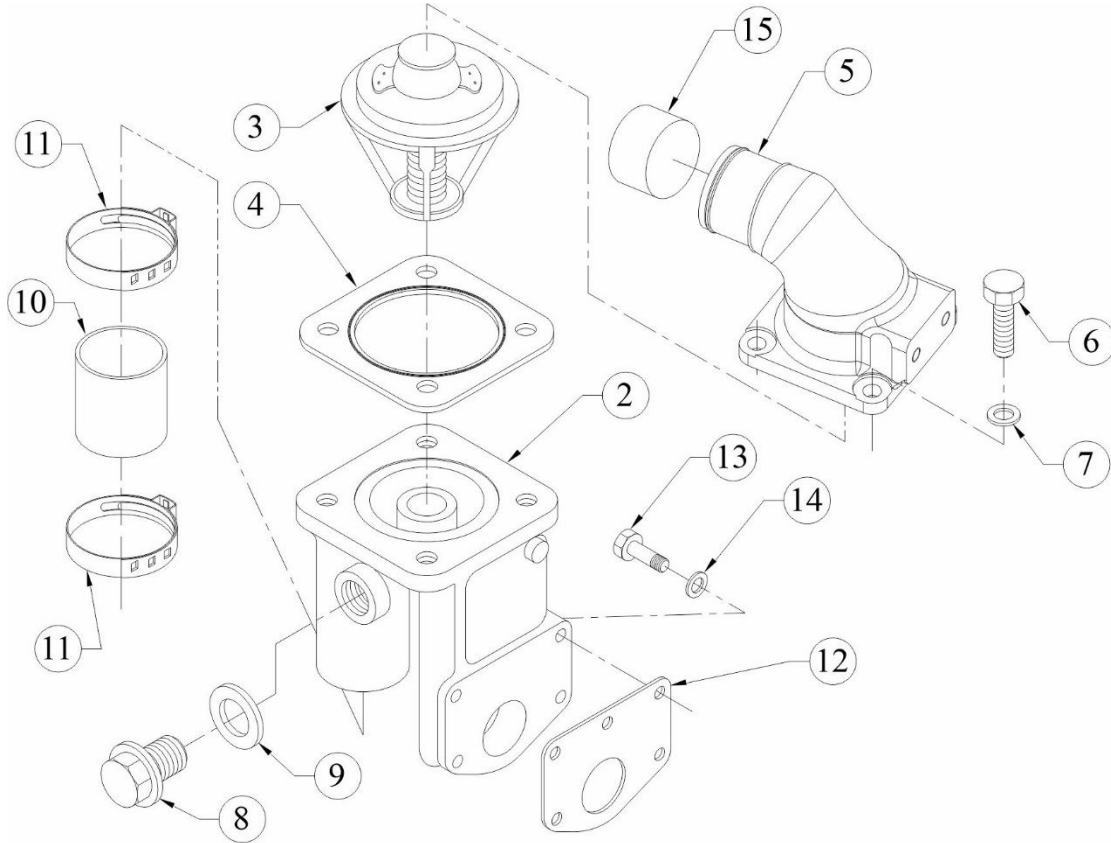
FIGURE NO: - 03.57



S. No	Part No	REV	DESCRIPTION	QTY	REMARKS
1	957000004270	A	THERMOSTAT HOUSING ASSEMBLY (71 MM COVER)	1	CONSISTING OF SR. NO.2 TO 9
2	957000004280	A	THERMOSTAT HOUSING M14 TAP BOTH SIDES	1	
3	957000004290	A	THERMOSTAT ELEMENT (74 DEG) - WTIL NO.DEV358	1	
4	957000004300	A	JOINT FOR THERMOSTAT COVER (METTALIC)	1	
5	957000004310	A	THERMOSTAT COVER (71MM,38 CORE)	1	
6	957000004320	A	SET SCREW - M8X1.25X25 - 8.8	4	
7	957000004330	A	PLAIN MACHINED WASHER - M8	4	
8	957000004340	A	PLUG (M14X1.5)	1	
9	957000004350	A	COPPER WASHER (14X20)	1	
10	957000004360	A	THERMOSTAT BYPASS HOSE	1	

THERMOSTAT AND MOUNTING (71 MM COVER)

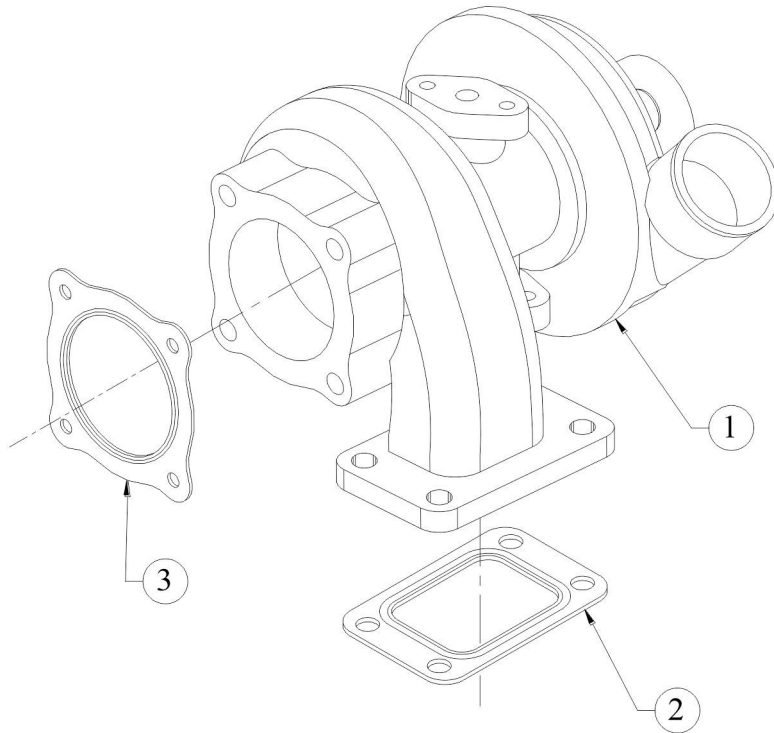
FIGURE NO: - 03.57



S. No	Part No	REV	DESCRIPTION	QTY	REMARKS
11	957000004370	A	STEPLESS EAR CLAMP	2	
12	957000004380	A	JOINT FOR THERMOSTAT HOUSING	1	
13	957000004390	A	SET BOLT - M8X1.25X40 - 8.8	4	
14	957000004400	A	PLAIN MACHINED WASHER - M8	4	
15	957000004410	A	PLASTIC CAP FOR WATER PUMP INLET	1	

TR59_6.1 HSG TURBOCHARGER

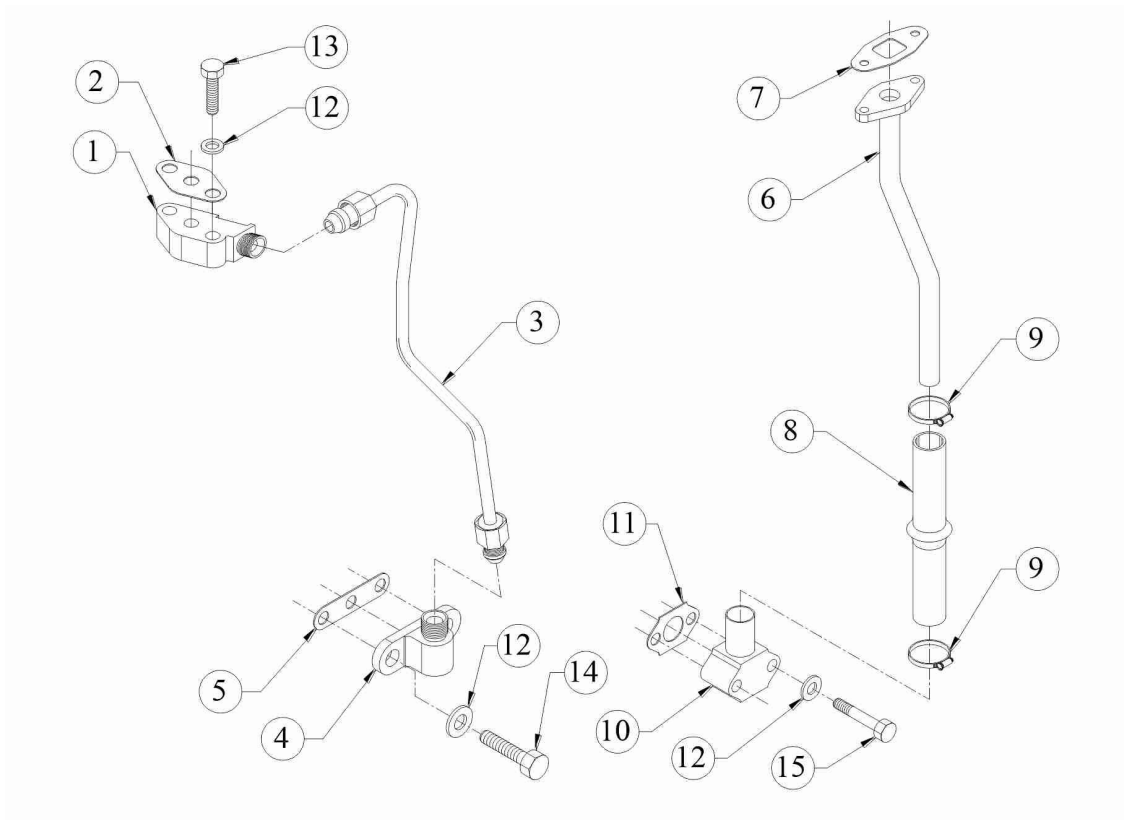
FIGURE NO: - 03.58



S. No	Part No	REV	DESCRIPTION	QTY	REMARKS
1	957000004440	A	TR59_6.1 HSG TURBOCHARGER	1	
2	957000004450	A	JOINT SS (FOR TURBOCHARGER)	1	
3	957000004460	A	JOINT S S FOR ADAPTOR RING	1	

TURBO LUB OIL SUPPLY AND DRAIN ARRANGEMENT FOR K24 TC (JCB, CMVR)

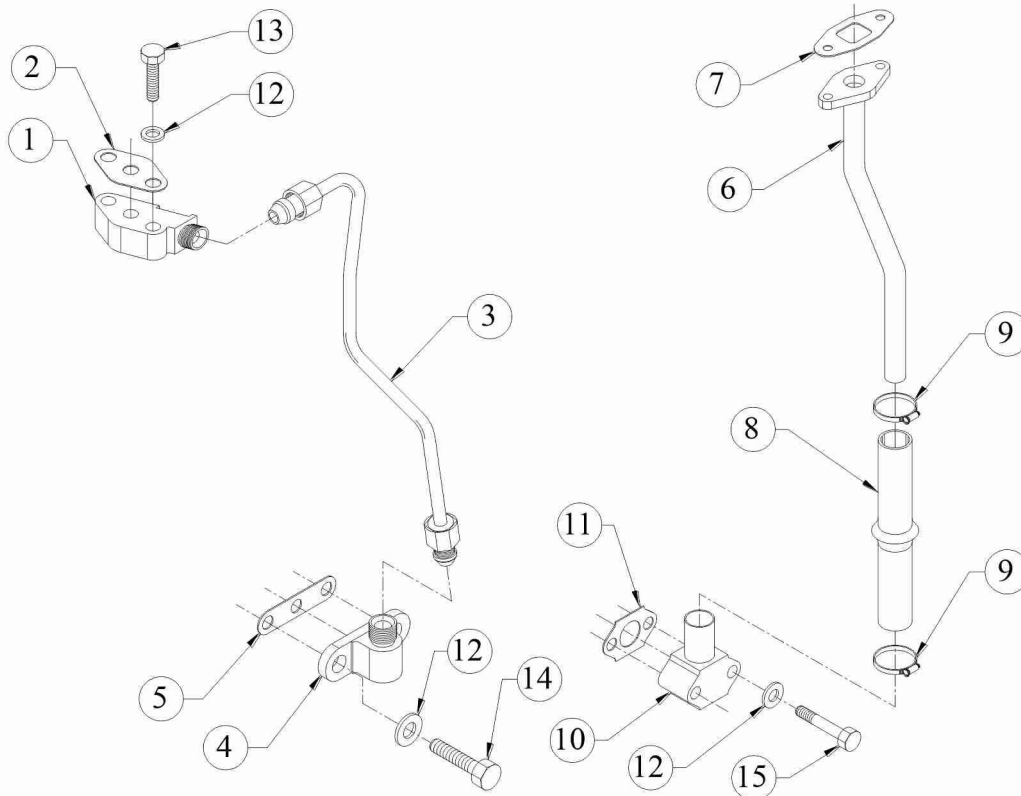
FIGURE NO: - 03.59



S. No	Part No	REV	DESCRIPTION	QTY	REMARKS
1	957000004470	A	ADAPTOR FOR OIL SUPPLY	1	
2	957000004480	A	JOINT FOR ADAPTOR (TURBO SIDE)	1	
3	957000004490	A	ASSAY. OF LUB OIL INLET PIPE FOR K24 TC (JCB, CMVR)	1	
4	957000004500	A	ADAPTOR (CRANKCASE SIDE)	1	
5	957000004510	A	JOINT FOR ADAPTOR (CRANKCASE SIDE)	1	
6	957000004520	A	LUB OIL DRAIN PIPE FOR K24 TC (JCB, CMVR)	1	
7	957000004530	A	JOINT FOR LUB OIL DRAIN PIPE	1	
8	957000004540	A	HOSE (FOR TURBO DTAIN PIPE 170 MM)	1	
9	957000004550	A	WORM DRIVE HOSE CLIP (32 MM)	2	

TURBO LUB OIL SUPPLY AND DRAIN ARRANGEMENT FOR K24 TC (JCB, CMVR)

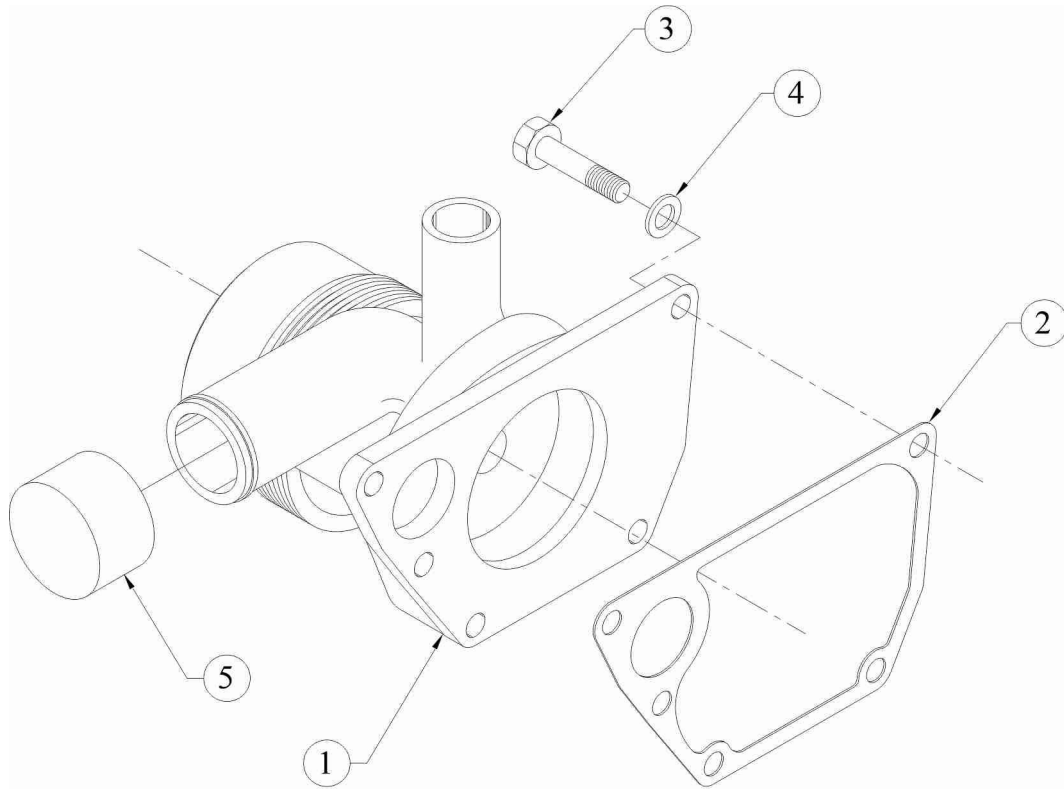
FIGURE NO: - 03.59



S. No	Part No	REV	DESCRIPTION	QTY	REMARKS
10	957000004560	A	ADAPTOR FOR TURBO DRAIN (CRANKCASE SIDE)	1	
11	957000004570	A	JOINT FOR ADAPTOR CRANKCASE SIDE	1	
12	957000004580	A	PLAIN MACHINED WASHER - M8	8	
13	957000004590	A	SET SCREW - M8X1.25X20 - 8.8	4	
14	957000004600	A	SET SCREW - M8X1.25X35 - 8.8	2	
15	957000004610	A	SET BOLT - M8X1.25X45 - 8.8	2	

WATER PUMP 282.5 CRS (P92) WITHOUT PULLEY

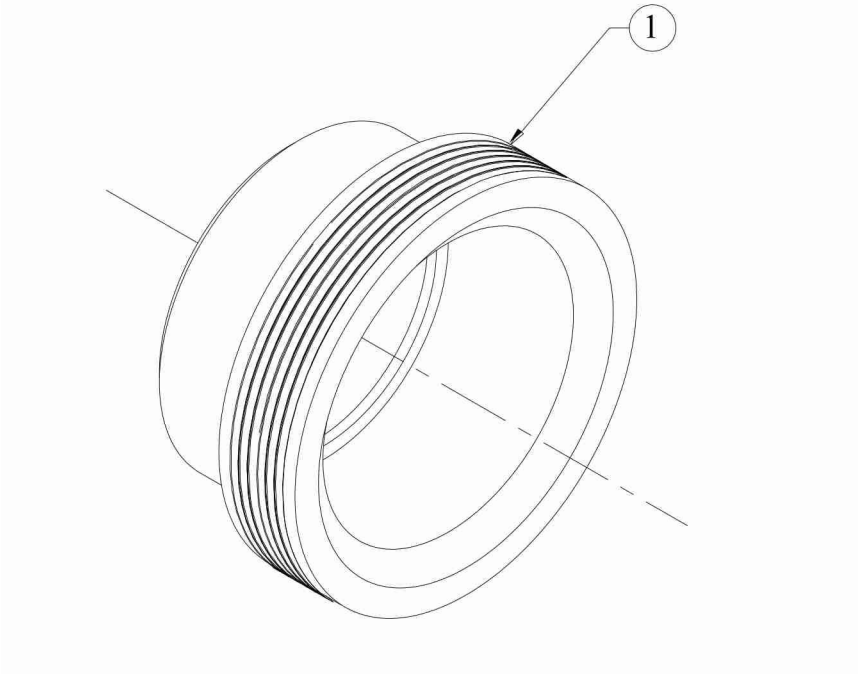
FIGURE NO: - 03.60



S. No	Part No	REV	DESCRIPTION	QTY	REMARKS
1	957000004620	A	WATER PUMP ASSLY 282.5 CRS, W/O PULLEY	1	
2	957000004630	A	JOINT FOR DELIVERY VOLUTE	1	
3	957000004640	A	SET BOLT - M10X1.5X60 - 8.8	5	
4	957000004650	A	PLAIN MACHINED WASHER - M10	5	
5	957000004660	A	PLASTIC CAP FOR WATER PUMP INLET	1	

WATER PUMP PULLEY WITH POLY V GROOVE (P6PK120)

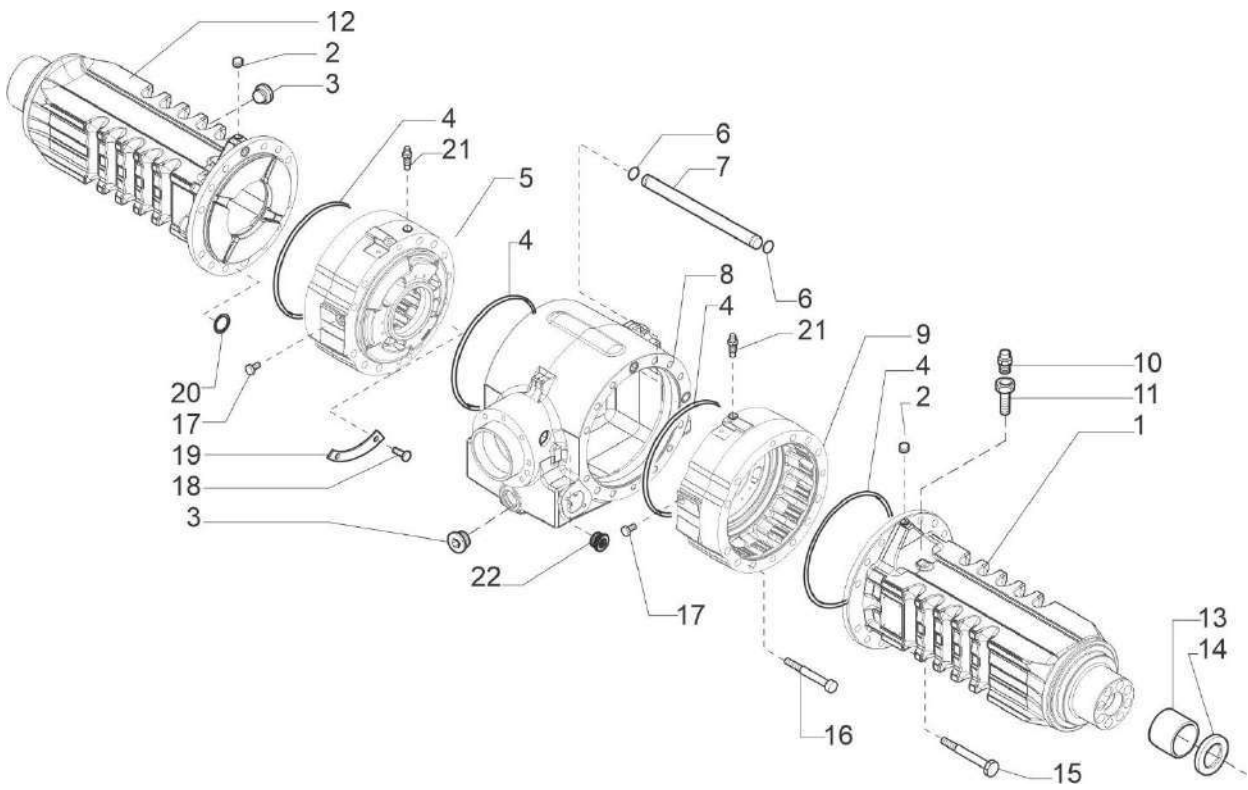
FIGURE NO: - 03.61



S. No	Part No	REV	DESCRIPTION	QTY	REMARKS
6	957000004670	A	WATER PUMP PULLEY WITH POLY V GROOVE (P6PK120)	1	

AXLE HOUSING

FIGURE NO: - 04.01



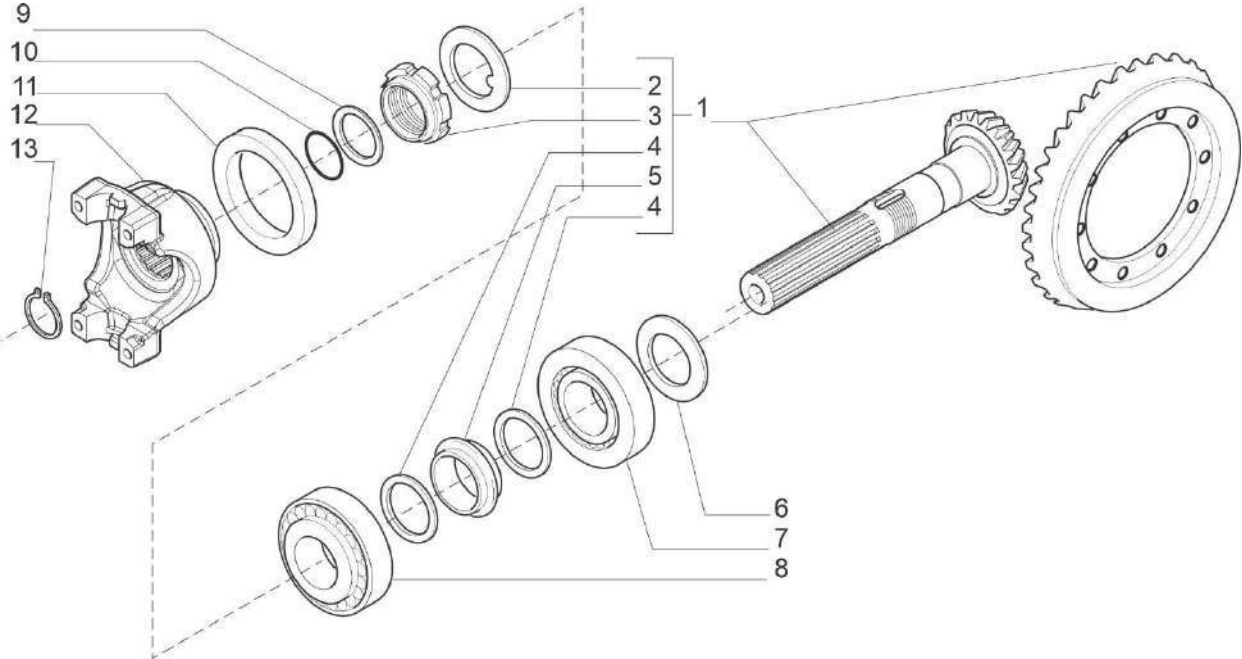
AXLE HOUSING

FIGURE NO: - 04.01

S. No	Part No	REV	DESCRIPTION	QTY	REMARKS
1	200183437500	A	RH BEAM TRUMPET	1	140156
2	200183420700	A	PLUG M10X1	2	21558
3	200183437400	A	PLUG M30X2	2	125280
4	200183421000	A	O.RING	4	28562
5	200183421100	A	LH BRAKE CYLINDER	1	141012
6	200183421200	A	O.RING	2	28526
7	200183421300	A	PIPE	1	140132
8	200183421400	A	CENTRAL BODY	1	139544
9	200183421500	A	RH BRAKE CYLINDER	1	141013
10	200193427600	A	BREATHER M10X1	1	104988
11	200183421700	A	BREATHER PIPE	1	121618
12	200183437300	A	LH BEAM TRUMPET	1	140155
13	200183421900	A	BUSH	2	131954
14	200183422000	A	SEAL RING	2	25311
15	200183422100	A	BOLT M14X140	22	21166
16	200183422200	A	BOLT M12X130	2	21314
17	200183422300	A	PLUG	2	145263
18	200183422400	A	RIVET 4.8X6	4	23838
19	200183422500	A	PLATE	2	140647
20	200183422600	A	O.RING	8	28500
21	200183422700	A	BREATHER M10X1	2	116792
22	200183422800	A	PLUG	1	21579

BEVEL GEAR SET

FIGURE NO: - 04.02



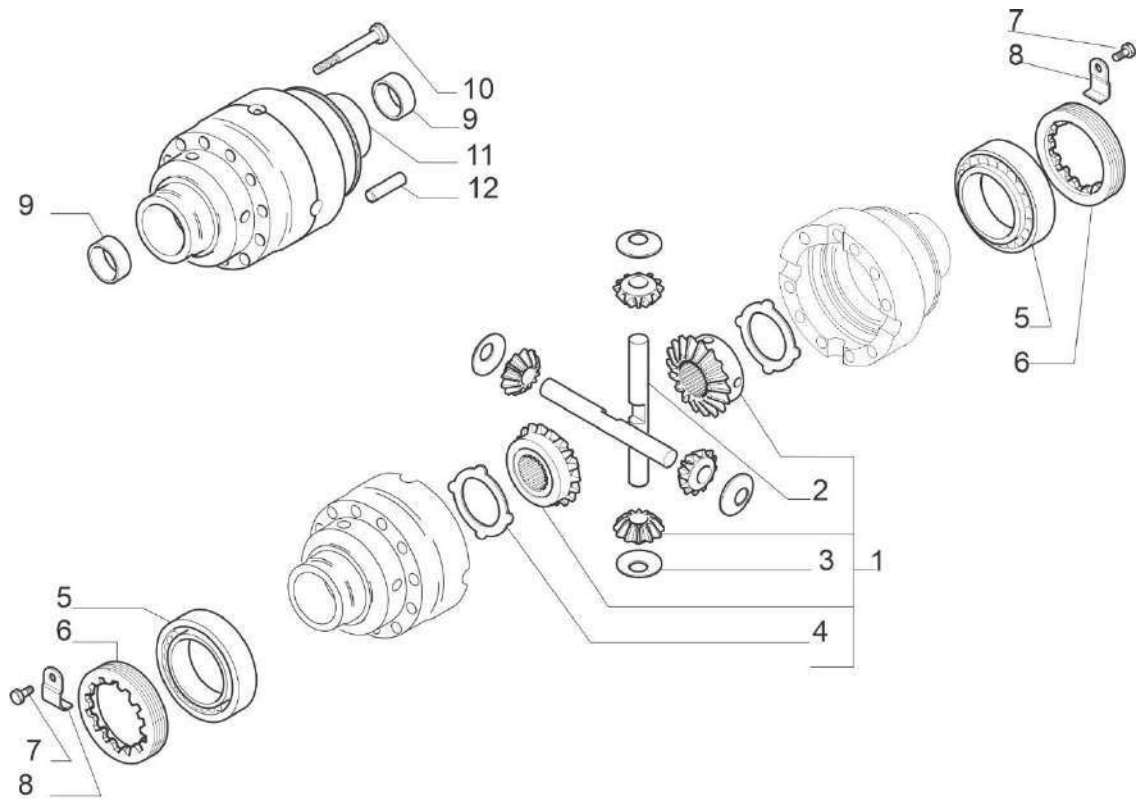
BEVEL GEAR SET

FIGURE NO: - 04.02

S. No	Part No	REV	DESCRIPTION	QTY	REMARKS
1	200183437700	A	BEVEL GEAR SET 15/37	1	68609
2	200183418200	A	LOCKWASHER	1	113717
3	200183418300	A	RING NUT M40X1.5	1	115054
4	200183418400	A	WASHER	2	125829
5	200183418500	A	COLLAPSIBLE SPACER	1	138692
6	200183418600	A	SHIM 2.50MM	1	134186
6	200183418700	A	SHIM 2.60MM	1	134187
6	200183418800	A	SHIM 2.70MM	1	134188
6	200183418900	A	SHIM 2.80MM	1	134189
6	200183419000	A	SHIM 2.90MM	1	134190
6	200183419100	A	SHIM 3.00MM	1	134191
6	200183419200	A	SHIM 3.10MM	1	134192
6	200183419300	A	SHIM 3.20MM	1	134193
6	200183419400	A	SHIM 3.30MM	1	134194
6	200183419500	A	SHIM 3.40MM	1	134195
7	200183419600	A	BEARING	1	27351
8	200183419700	A	BEARING	1	27350
9	200183420200	A	WASHER	1	123402
10	200183420300	A	O.RING	1	28532
11	200183420800	A	SEAL RING	1	145050
12	200183420900	A	FLANGE	1	144332
13	200183419800	A	SNAP RING D34	1	24789

DIFFERENTIAL

FIGURE NO: - 04.03



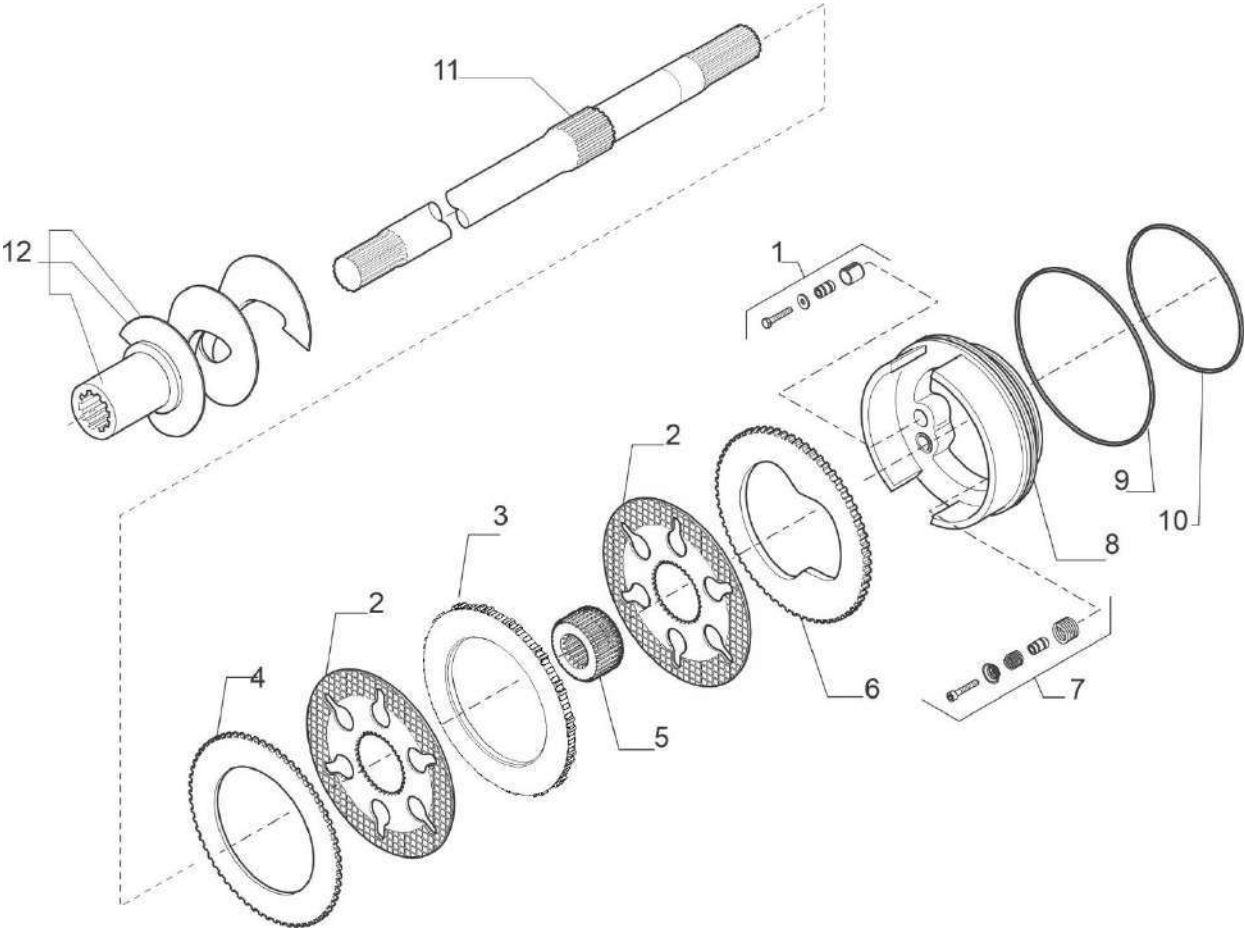
DIFFERENTIAL

FIGURE NO: - 04.03

S. No	Part No	REV	DESCRIPTION	QTY	REMARKS
1	200183438000	A	DIFFERENTIAL KIT	1	68464
2	200183423200	A	PIN	2	133035
3	200183423300	A	THRUST WASHER	4	117171
4	200183423400	A	DIFF. DRIVE PLATE	2	133036
5	200183423500	A	BEARING	2	27367
6	200183423600	A	RING NUT M104X2	2	125445
7	200183423700	A	BOLT M6X10	2	128440
8	200183423800	A	LOCKING PLATE	2	129118
9	200183423900	A	BUSH	2	131747
10	200183438100	A	BOLT M12X90	10	125551
11	200183438200	A	DIFFERENTIAL HOUSING	1	140478
12	200183438300	A	PIN D12X40	2	117569

BRAKES

FIGURE NO: - 04.04



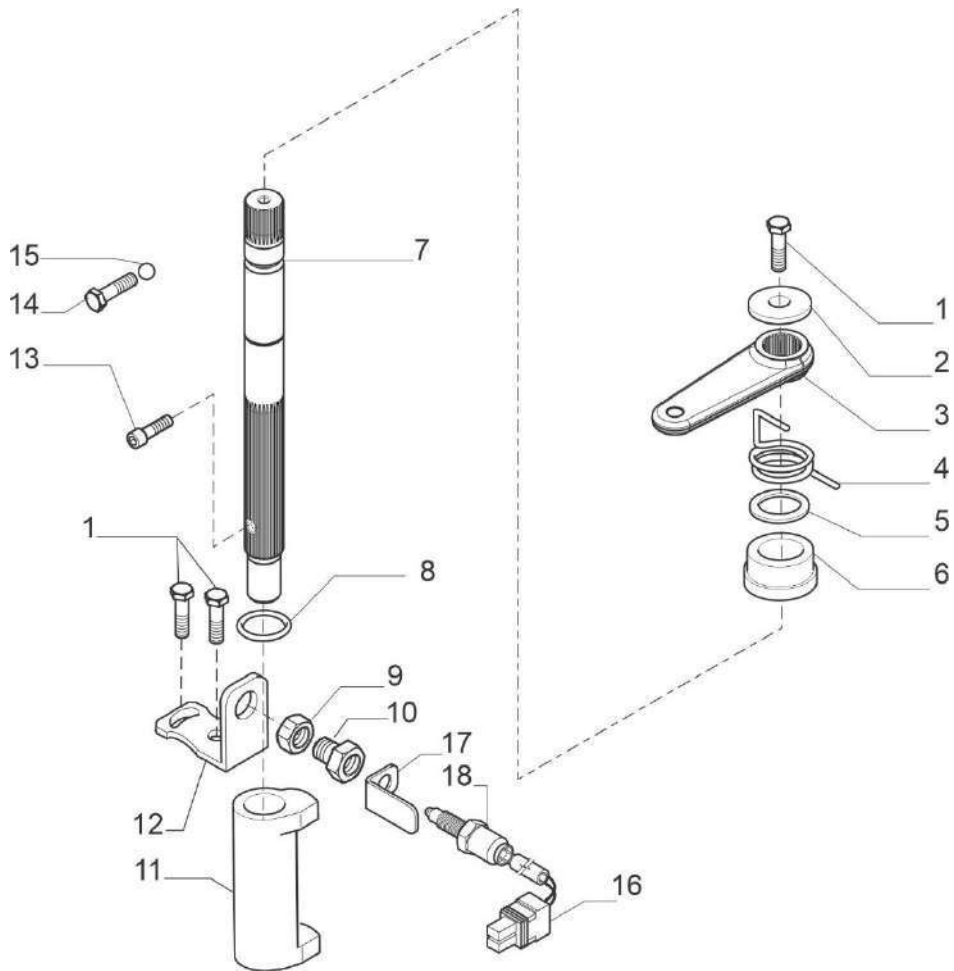
BRAKES

FIGURE NO: - 04.04

S. No	Part No	REV	DESCRIPTION	QTY	REMARKS
1	200183426600	A	SELF-ADJUST KIT	2	66675
2	200183438400	A	BRAKE PLATE	4	143874
3	200183426800	A	BRAKE DRIVE-PLATE	2	136644
4	200183426900	A	BRAKE DRIVE-PLATE	2	136155
5	200183427000	A	HUB	2	134745
6	200183427100	A	BRAKE DRIVE-PLATE	2	134740
7	200183427200	A	SELF-ADJUST KIT	2	66674
8	200183427300	A	BRAKE PISTON	2	141259
9	200183427400	A	QUADRING	2	133757
10	200183427500	A	QUADRING	2	139231
11	200183427600	A	HALF-SHAFT	2	138737
12	200183427700	A	HELIX R.H	1	138947
12	200183427800	A	HELIX L.H	1	138949

BRAKES CONTROL

FIGURE NO: - 04.05



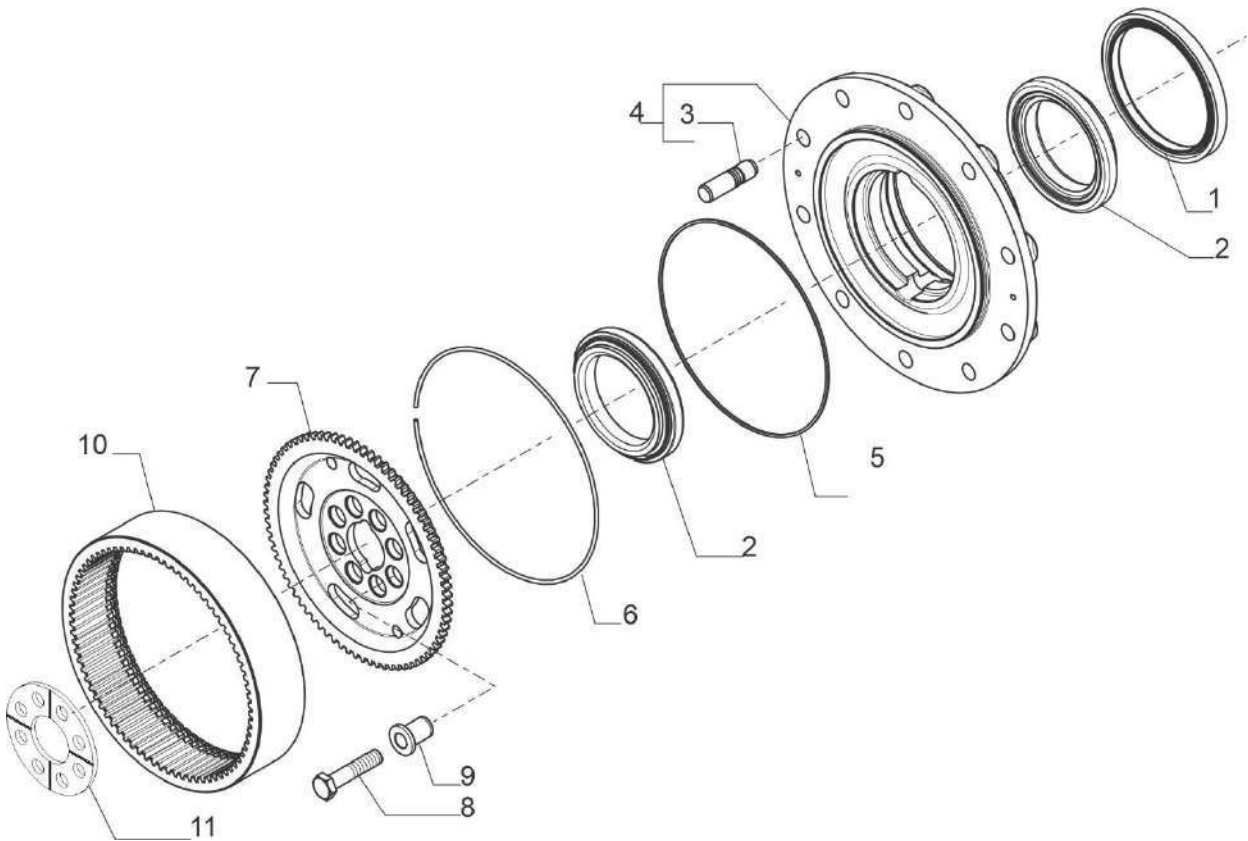
BRAKES CONTROL

FIGURE NO: - 04.05

S. No	Part No	REV	DESCRIPTION	QTY	REMARKS
1	200183438500	A	BOLT M8X20	6	127920
2	200183438600	A	WASHER	2	132622
3	200183438700	A	BRAKES CONTROL LEVER	2	136122
4	200183438800	A	SPRING RH	1	133680
4	200183438900	A	SPRING LH	1	133681
5	200183439000	A	BUSH	2	137861
6	200183439100	A	SPACER	2	137860
7	200183439200	A	BRAKES CONTROL SHAFT	2	138815
8	200183439300	A	O.RING	2	32990
9	200183439400	A	NUT M16X1.5	2	138337
10	200183439500	A	LOCK-LEVER BOLT	2	138338
11	200183439600	A	CAM	2	132689
12	200183439700	A	LOCK-LEVER BRACKET	2	137858
13	200183439800	A	BOLT M6X16	2	137864
14	200183439900	A	BOLT M8X23.5	2	138442
15	200183440000	A	BALL D6.5	2	28349
16	200183440100	A	SWITCH	2	138298
17	200183440200	A	SWITCH PROTECTION	2	138299
18	200183440300	A	PARKING BRAKE SENSOR KIT	2	138470

WHEEL HUB

FIGURE NO: - 04.06



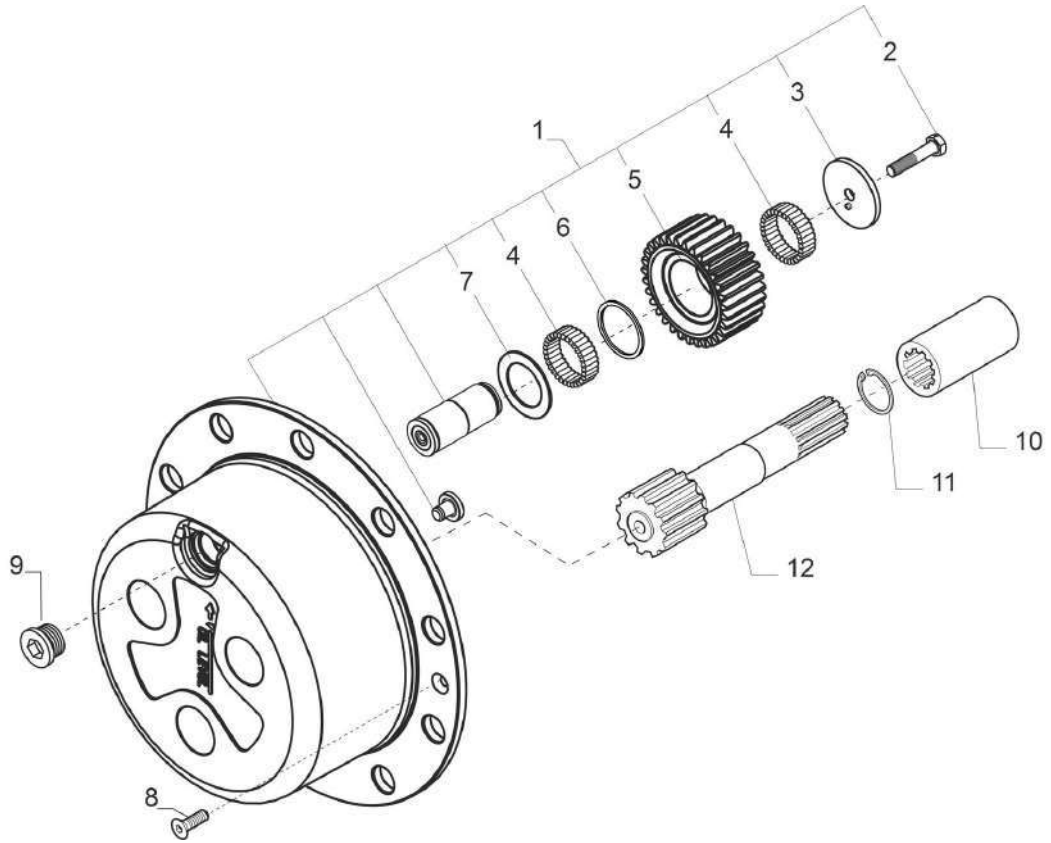
WHEEL HUB

FIGURE NO: - 04.06

S. No	Part No	REV	DESCRIPTION	QTY	REMARKS
1	200183425700	A	SEAL RING	2	47702
2	200183425800	A	BEARING	4	45180
3	200183425600	A	STUD	20	119907
4	200183440400	A	WHEEL HUB KIT	2	68045
5	200183425900	A	O.RING	2	28579
6	200183426000	A	RING	2	125233
7	200183426400	A	WHEEL CARRIER	2	139633
8	200183406200	A	BOLT M14X65	16	119906
9	200183440500	A	CENTERING BUSH	16	388735
10	200183426300	A	CROWN GEAR Z=77	2	125186
11	200393420200	A	THRUST WASHER	2	357539

FINAL REDUCTION

FIGURE NO: - 04.07



S. No	Part No	REV	DESCRIPTION	QTY	REMARKS
1	200395101440	A	PLANETARY CARRIER ASSY.	2	146260
2	200395101441	A	BOLT M10X50	6	125229
3	200395101442	A	THRUST WASHER	6	644650
4	200395101443	A	NEEDLE BEARING(BY TENS)	3,7	28301
5	200395101444	A	GEAR Z31	6	138736
6	200395101445	A	THRUST WASHER	6	138778
7	200395101446	A	WASHER	6	138689
8	200395101447	A	BOLT M8X20	4	20490
9	200395101448	A	PLUG M30X2	2	125280
10	200395101449	A	CONNECTIING BUSHING	2	131299
11	200395101450	A	SNAP RING D36	2	24877
12	200395101451	A	HALF SHAFT	2	138735

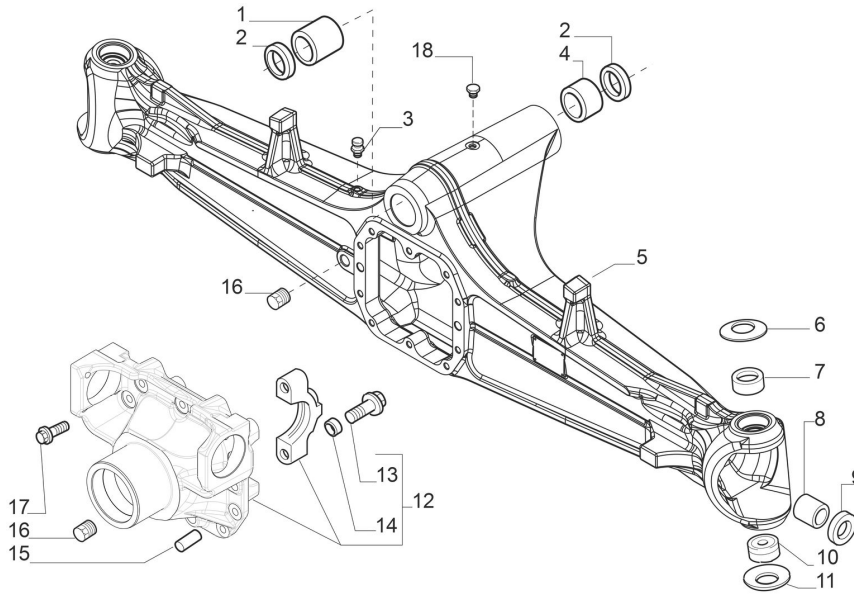
REAR AXLE OVER HAULING KIT

FIGURE NO: - 04.08

S. No	Part No	REV	DESCRIPTION	QTY	REMARKS
1	200183427900	A	REAR AXEL OVERHAULING KIT(CONSISTS OF ITEM NO. 2 TO 37)	1	
2	200183428000	A	O' RING	4	
3	200183428100	A	O' RING	2	
4	200183428200	A	BUSH	2	
5	200183428300	A	SEAL RING	2	
6	200183428400	A	O' RING	8	
7	200183428500	A	DIFFERENTIAL KIT	1	
8	200183428600	A	BEARING	2	
9	200183428700	A	RING NUT X 104 X 2	2	
10	200183428800	A	BUSH	2	
11	200183428900	A	PLANETARY CARRIER ASSY	2	
12	200183429000	A	WASHER	6	
13	200183429100	A	NEEDLE BEARINGS(BY TENS)	37.2	
14	200183429200	A	THRUST WASHER	6	
15	200183429300	A	THRUST WASHER	6	
16	200183429400	A	NEEDLE BEARINGS(BY TENS)	0.6	
17	200183429500	A	THRUST WASHER	6	
18	200183429600	A	GEAR Z31	6	
19	200183429700	A	SNAP RING	2	
20	200183429800	A	HALF SHAFT WITH GEAR Z-31	2	
21	200183429900	A	SEAL RING	2	
22	200183430000	A	BEARING	4	
23	200183430100	A	O' RING	2	
24	200183430200	A	RING	2	
25	200183430300	A	BUSH	16	
26	200183430400	A	CROWN GEAR Z 77	2	
27	200183430500	A	WHEEL CARRIER	2	
28	200183430600	A	SELF ADJUST KIT	2	
29	200183430700	A	BRAKE PLATE	4	
30	200183430800	A	BRAKE DRIVE-PLATE	2	
31	200183430900	A	BRAKE DRIVE-PLATE	2	
32	200183431000	A	BRAKE DRIVE-PLATE	2	
33	200183431100	A	SELF ADJUST KIT	2	
34	200183431200	A	BRAKE PISTON	2	
35	200183431300	A	QUADRING	2	
36	200183431400	A	QUADRING	2	
37	200183431500	A	HALF-SHAFT	2	

AXLE HOUSING

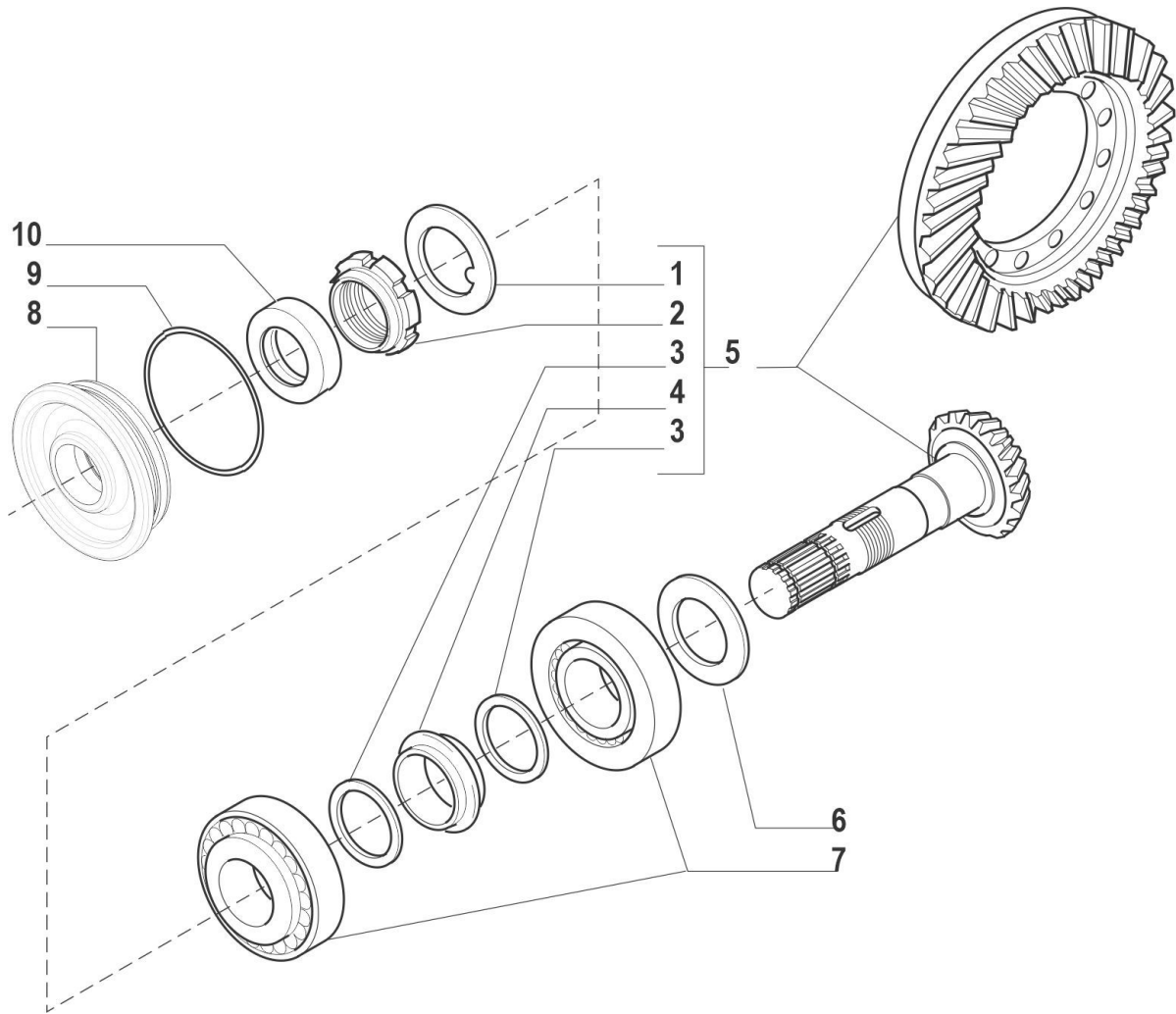
FIGURE NO: - 05.01



S. No	Part No	REV	DESCRIPTION	QTY	REMARKS
1	200183440700	A	BUSH 60x50.19x54	1	126610
2	200183440800	A	OIL SEAL	2	120717
3	200183421600	A	BREATHER	1	104988
4	200183440900	A	BUSHING	1	126611
5	200183441000	A	AXLE HOUSING	1	149555
6	200183441100	A	BELLEVILLE WASHER	2	128633
7	200183441200	A	BUSH	2	143563
8	200183441300	A	BUSH	2	109972
9	200183441400	A	SEAL 35x52x18	2	641734
10	200183441500	A	SPHERICAL BEARING	2	123726
11	200183441600	A	BELLEVILLE WASHER	2	128630
12	200183441700	A	DIFFERENTIAL SUPPORT	2	122964
13	200183441800	A	BOLT M 14x75 (KIT-122964)	1	126022
14	200183441900	A	CENTERING BUSH (KIT- 122964)	4	72235
15	200183442000	A	PIN D 15x35	4	87660
16	200183442100	A	OIL PLUG M22x1.5	2	92270
17	200183442200	A	BOLT M12x1.75x33	10	125827
18	200395101461	A	Plug	1	145263

BEVEL GEAR SET

FIGURE NO: - 05.02



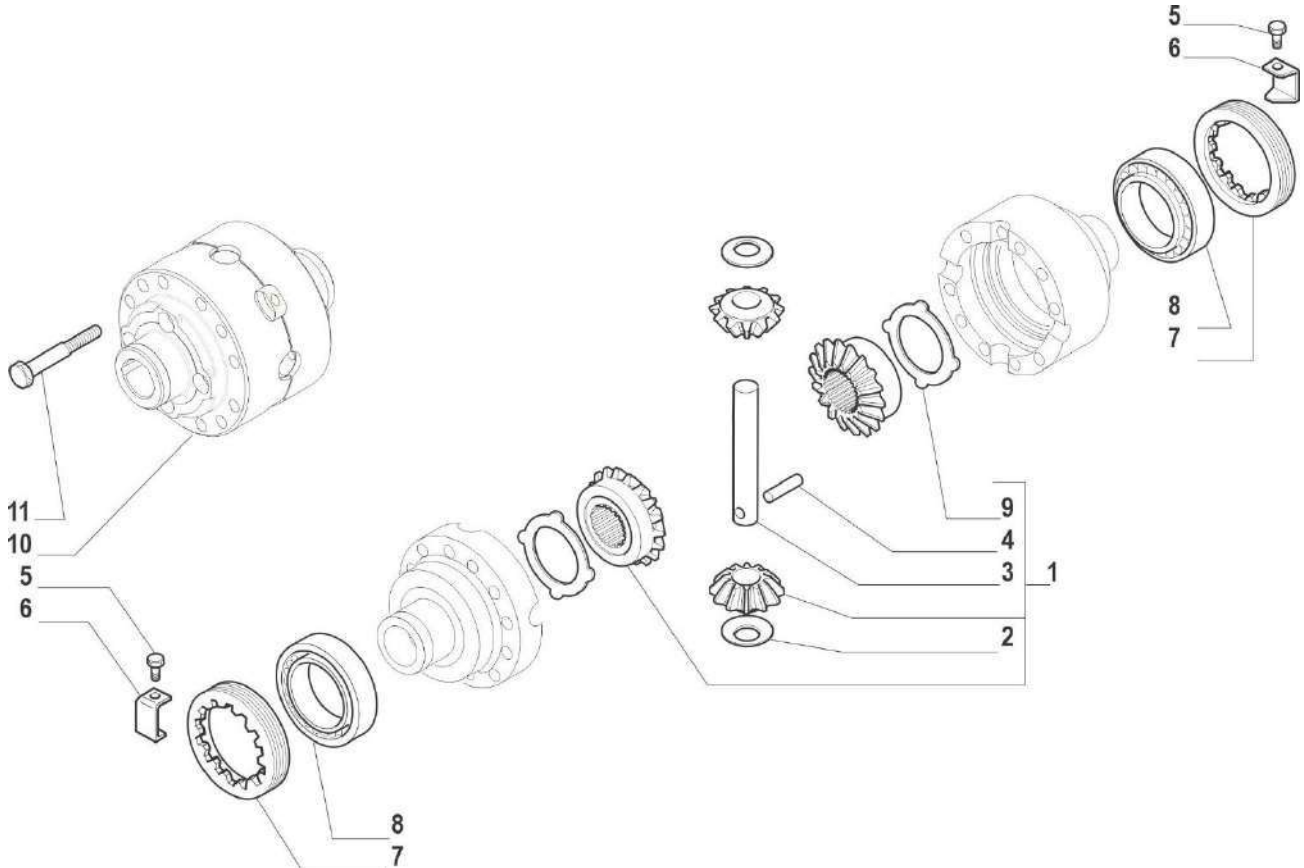
BEVEL GEAR SET

FIGURE NO: - 05.02

S. No	Part No	REV	DESCRIPTION	QTY	REMARKS
1	200183418200	A	LOCKWASHER 1	1	113717
2	200183418300	A	RING NUT M40 X 1.5	1	115054
3	200183418400	A	WASHER 50X40.5X2	2	125829
4	200183444400	A	COLLAPSIBLE SPACER	1	125806
5	200183444500	A	BEVEL GEAR/PINION SET Z13/32	1	66607
6	200183444600	A	SHIM 2.50 MM .	-	132265
6	200183444700	A	SHIM 2.60 MM .	-	132266
6	200183444800	A	SHIM 2.70 MM .	-	132267
6	200183444900	A	SHIM 2.80 MM .	-	132268
6	200183445000	A	SHIM 2.90 MM .	-	132269
6	200183445100	A	SHIM 3.00 MM .	-	132270
6	200183445200	A	SHIM 3.10 MM .	-	132271
6	200183445300	A	SHIM 3.20 MM .	-	132272
6	200183445400	A	SHIM 3.30MM .	-	132273
6	200183445500	A	SHIM 3.40MM .	-	132274
7	200183419700	A	BEARING	2	O27350
8	200183445600	A	COVER	1	129929
9	200183425700	A	O.RING	1	O28212
10	200183425800	A	OIL SEAL RING	1	134363

DIFFERENTIAL

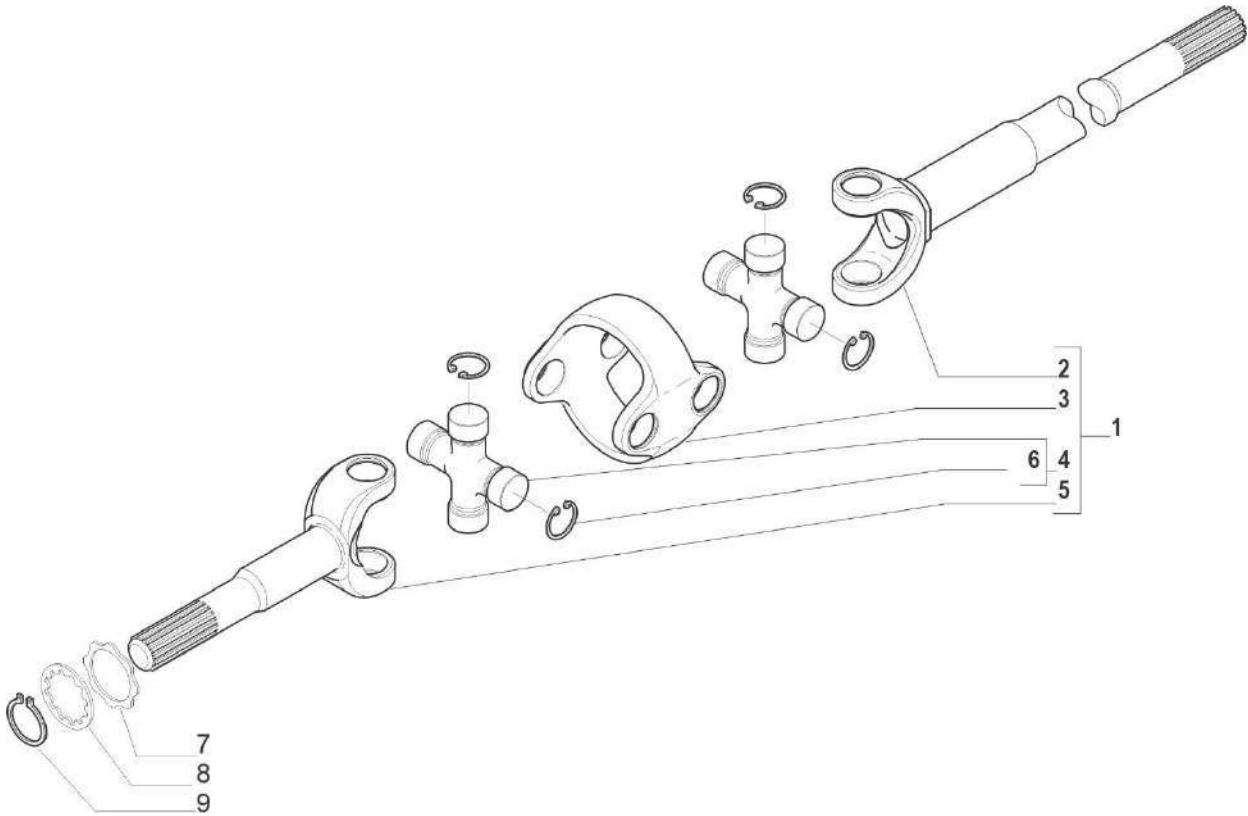
FIGURE NO: - 05.03



S. No	Part No	REV	DESCRIPTION	QTY	REMARKS
1	200183445900	A	DIFFERENTIAL KIT	1	O66161
2	2001834456000	A	THRUST WASHER	2	115730
3	2001834456100	A	SHAFT	1	115731
4	2001834456200	A	PIN D7x40	1	116451
5	2001834456300	A	SCREW M6x10	2	128440
6	2001834456400	A	LOCKING PLATE	2	107778
7	2001834456500	A	RING NUT	2	107400
8	2001834456600	A	BEARING	2	O27309
9	2001834456700	A	DRIVE PLATE	2	120361
10	2001834456800	A	DIFFERENTIAL HOUSING	1	137972
11	2001834456900	A	BOLT M10x1.5x75	12	125552

DOUBLE U JOINT

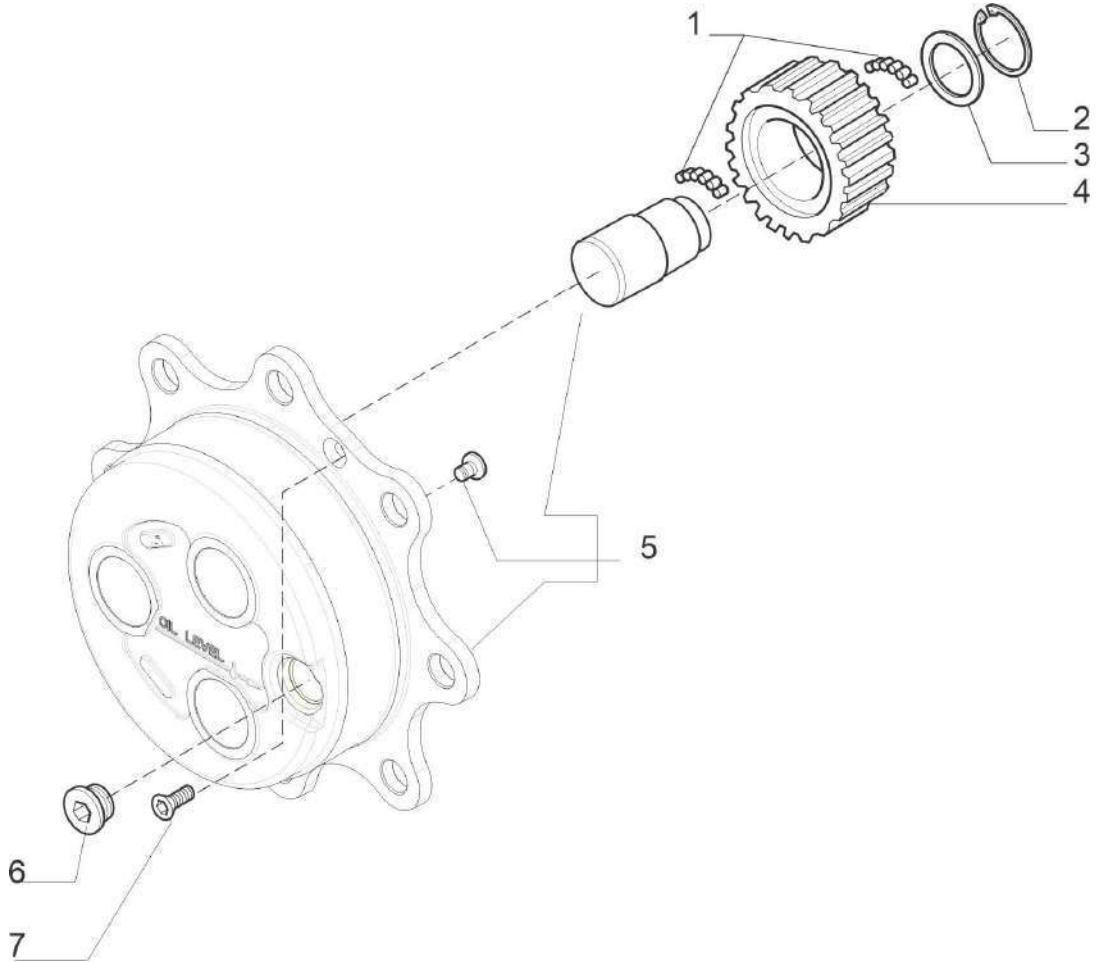
FIGURE NO: - 05.04



S. No	Part No	REV	DESCRIPTION	QTY	REMARKS
1	200183447000	A	DOUBLE JOINT 2 149582	2	149582
2	200183447100	A	FORK 2 O48727	2	O48727
3	200183447200	A	CENTRAL BODY 2 O46279	2	O46279
4	200183447300	A	A SPIDER 4 O40837	4	O40837
5	200183447400	A	FORK(WHEEL HUB) 2 O48726	2	O48726
6	200183447500	A	LOCK RING 16 O40953	16	O40953
7	200183447600	A	A WASHER 2 132165	2	132165
8	200183447700	A	WASHER 2 140024	2	140024
9	200183447800	A	SNAP RING 2 O24799	2	O24799

FINAL REDUCTION

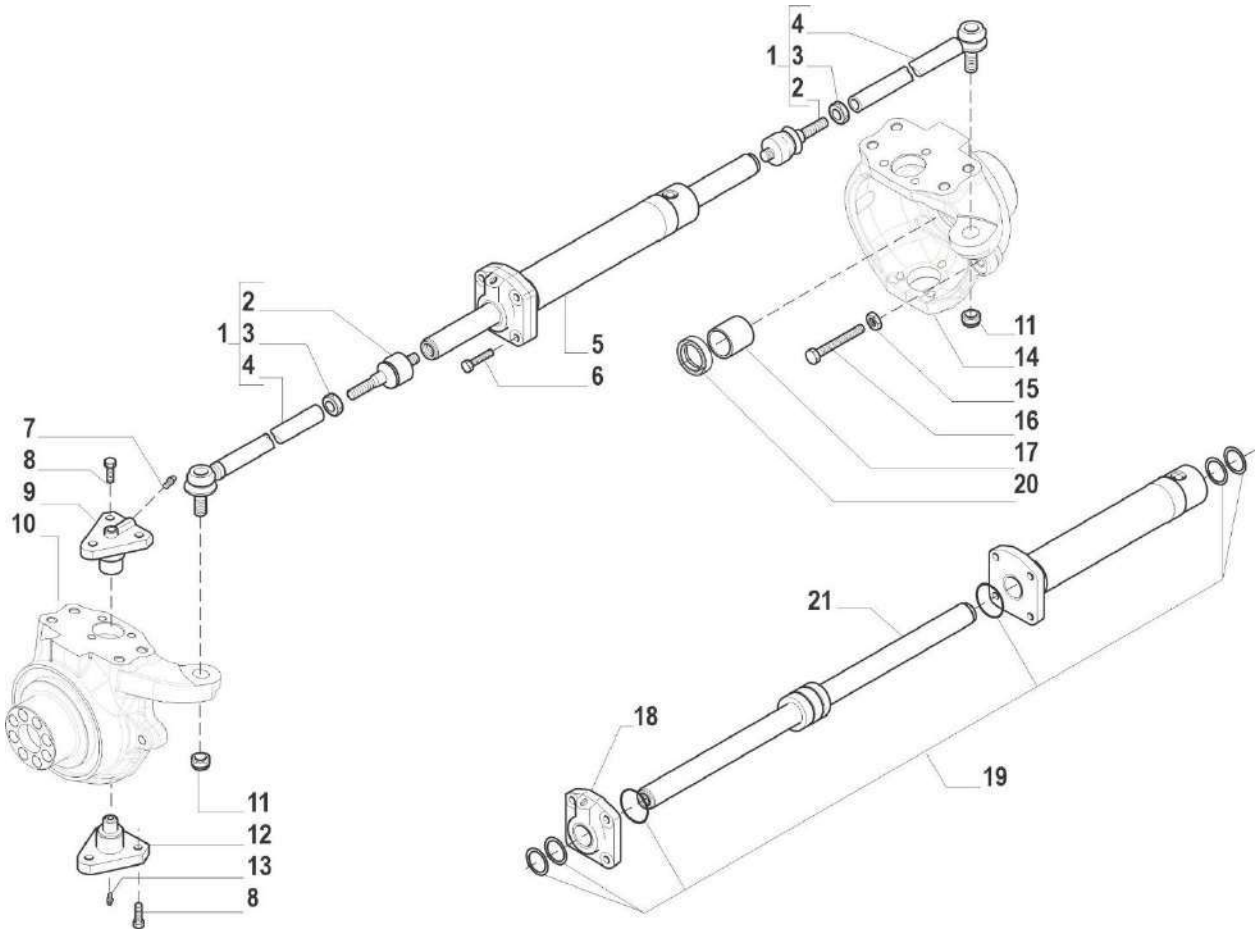
FIGURE NO: - 05.05



S. No	Part No	REV	DESCRIPTION	QTY	REMARKS
1	200183428800	A	NEEDLE BEARING	33.6	O28370
2	200183428900	A	SNAP RING D38	6	O24793
3	200183429000	A	WASHER	6	135366
4	200183429100	A	GEAR Z23	6	135947
5	200183429200	A	PLANETARY CARRIER KIT	2	O66855
6	200183429300	A	PLUG M 30x2	2	125280
7	200183429400	A	SCREW M 8x20	2	O20490

SWIVEL HOUSINGS & STEERING CYLINDER

FIGURE NO: - 05.06



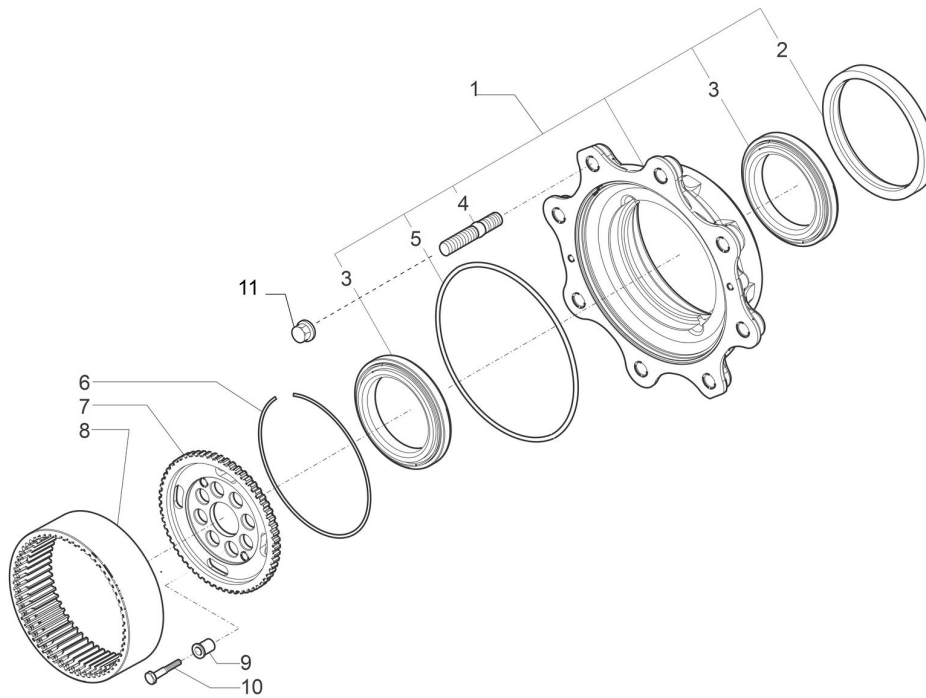
SWIVEL HOUSINGS & STEERING CYLINDER

FIGURE NO: - 05.06

S. No	Part No	REV	DESCRIPTION	QTY	REMARKS
1	200183442300	A	STEERING ARM ASSY	2	145481
2	200183442400	A	SPHERICAL JOINT	2	350878
3	200183442500	A	NUT M18x1.5	2	070787
4	200183442600	A	TIE ROD	2	351144
5	200183442700	A	STEERING CYLINDER	1	139495
6	200183442800	A	BOLT M12x45	4	128534
7	200183442900	A	GREASER NIPPLE M6x1	2	024210
8	200183443000	A	BOLT M12x1.75x30	12	126922
9	200183443100	A	KING PIN	2	128880
10	200183443200	A	SWIVEL HOUSING LH	1	145265
11	200183443300	A	NUT M18x1.5	2	022431
12	200183443400	A	KING PIN	2	128881
13	200183443500	A	GREASER NIPPLE M6x1	2	024211
14	200183443600	A	SWIVEL HOUSING RH	1	145264
15	200183443700	A	NUT M16	2	022129
16	200183443800	A	BOLT M16x75	2	127223
17	200183443900	A	BUSH	2	125390
18	200183444000	A	CYLINDER HEAD	1	049084
19	200183444100	A	OIL SEAL KIT	1	049210
20	200183444200	A	OIL SEAL RING	2	641735
21	200183444300	A	ROD	1	049083

WHEEL HUB

FIGURE NO: - 05.07



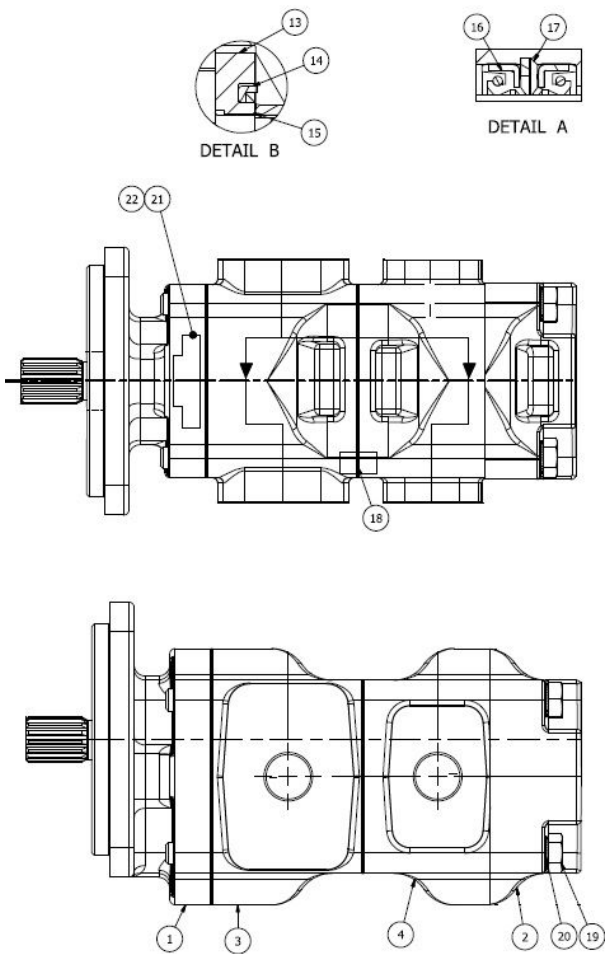
1	200183448000	A	WHEEL HUB KIT	2	63421
2	200183447900	A	CASSETTE SEAL 150 180 14.5/16 (KIT-63421)	2	149703
3	200183425800	A	BEARING(KIT-63421)	4	63421
4	200183448100	A	A STUDV(KIT-63421)	16	107091
5	200183448200	A	O-RING	2	28668
6	200183448300	A	LOCK RING	2	125344
7	200183448400	A	WHEEL CARRIER	2	134298
8	200183448500	A	CROWN GEAR	2	125452
9	200183448600	A	CENTERING BUSH	16	141196
10	200183448700	A	BOLT M10X45	16	140259
11	200395101462	A	NUT M18X1.5	1	121746

TANDEM PUMP (PARKER)

(921200001500)

FIGURE NO: - 06.01

FIGURE NO: - 06.01

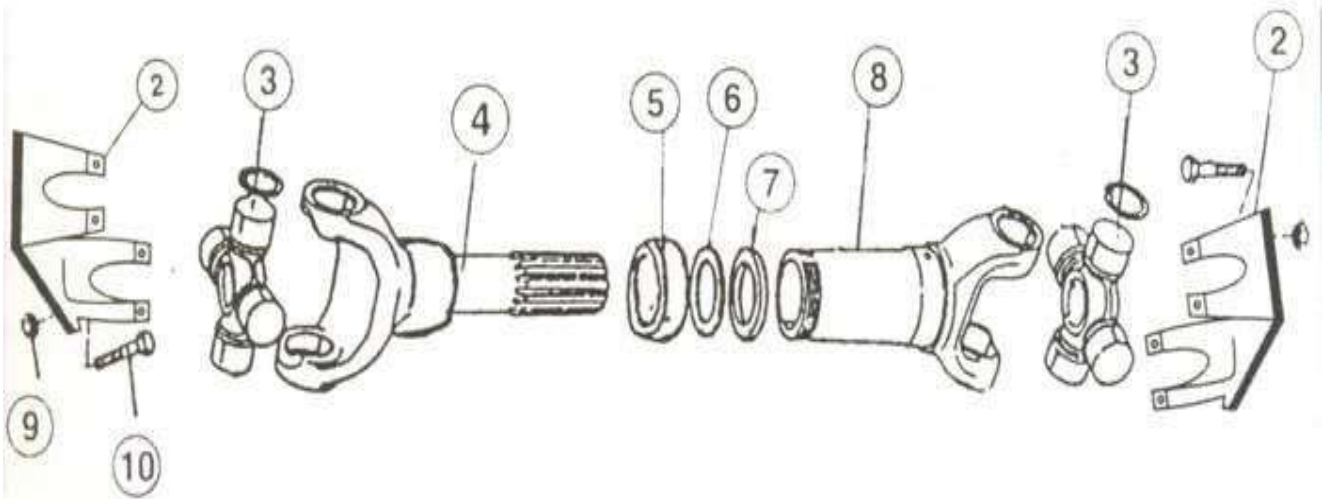


22	3912183227	NAME PLATE	1
21	3911432004	SCREW DRIVE	2
20	9222-575-009	WASHER	4
19	3911401605	M12 FASTENERS x210	4
18	8676-024-003	HOLLOW DOWEL	2
17	9211-530-006	CIRCLIP	1
16	8682-119-00W	LIP SEAL	2
15	8682-015-00Q	SEAL ELEMENT	4
14	26X256N0674	SEAL ENERGIZER	4
13	3912185150	BALANCE PLATE	4
12	3910482239	BUSH	8
11	061467N3813	SECTION SEAL	2
10	020024N3723	O-RING	3
9	73240-4106696	COUPLING	1
8	7022721000	DRIVEN GEAR	1
7	7022621000	DRIVE GEAR	1
6	7022733000	DRIVEN GEAR	1
5	7021233800	DRIVE GEAR	1
4	7026421315	BODY 21cc B1D5	1
3	7026233917	BODY 33cc S4D5	1
2	2PRC01M	COVER	1
1	2PRF07X1A	FLANGE	1
S NO.	PART NO.	DESCRIPTION	QTY

PART LIST

PROPELLER SHAFT (200586119900)

FIGURE NO: - 08.01



S. No	Part No	REV	DESCRIPTION	QTY	REMARKS
1	200586400100	A	PROPELLER SHAFT ASSY.	1	
2	200186400400	A	YOKE FLANGE	2	
3	200186400500	A	UNIVERSAL JOINT	2	
4	200186400600	A	SPLINED SHAFT	1	
5	200186400700	A	BUSH	1	
6	200186400800	A	SPACER	1	
7	200186400900	A	CROCK WASHER	1	
8	200186401000	A	SLIP JOINT	1	
9	200186401100	A	NUT	8	
10	902510520100	A	SCREW ALLEN	8	
11	200186400300	A	U CLAMP	4	

HOSE KIT

(200346120800_B_BUTTERFLY

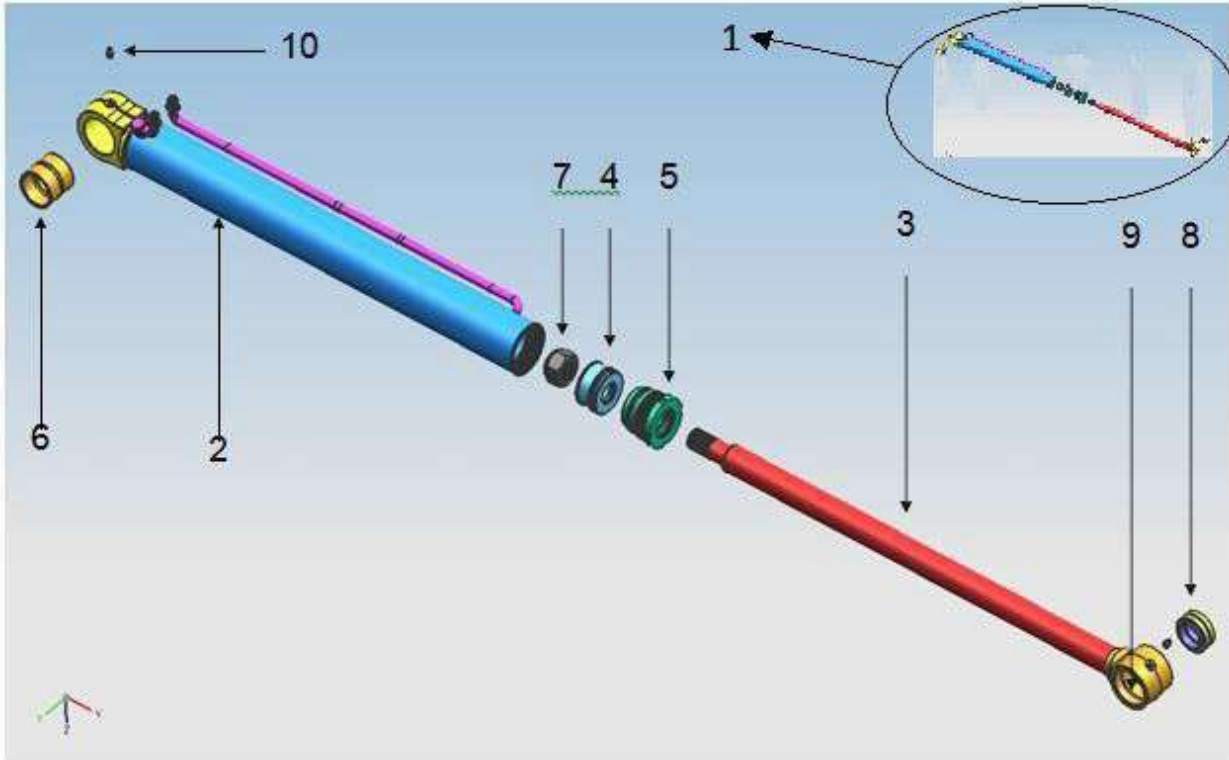
S No	REV	ACE PART NO	Fitting A	Fitting B	Fitting TypeA	Fitting TypeB	QTY	LENGTH	BRAID	Hose diam size	Hose Standard	ORIENTATION	LOCATION	Shave
1	A	91120720050	3/4" BSP	3/4" BSP	ST	90-80mm Drop Length	1	550	Spiral 4 Wire	12	SAE 100 R12	-	LOADER CV TO STG UNIT	-
2	A	911201251200	1" BSP	1" BSP	ST	90-82mm Drop Length	1	1200	1 wire	16	SAE100R1	-	EXCAV CV TO RETURN LINE DIST.BLOCK	-
3	A	911201251800	1" BSP	1" BSP	ST	90-82mm Drop Length	1	1800	TSN	16	SAE100R1	-	RETURN CHECK VALVE TO OIL COOLER	Polyethylene Spiral Sleeve
4	A	911201251500	1" BSP	1" BSP	ST	90-82mm Drop Length	1	1500	TSN	16	SAE100R1	-	CHECK VALVE TO HYD TANK	Polyethylene Spiral Sleeve
5	A	911209100500	3/8" BSP	3/8" BSP	ST	90-32mm Drop length	1	560	2 Wire Braid	6	SAE100R2	-	STG UNIT TO RETURN LINE DIST.BLOCK	-
6	A	911202721250	1/2" BSP	1/2" BSP	ST	90-37.5mm Drop length	2	1230	2 Wire Braid	8	SAE 100R2AT	-	LOADER CV TO LOADER TUBES	Polyethylene Spiral Sleeve
7	A	911002720450	1/2" BSP	1/2" BSP	ST	ST	2	490			SAE 100R2AT	-	LOADER CV TO F	Polyethylene Spiral Sleeve
8	A	911205112550	1/2" BSP	1/2" BSP	ST	ST	4	2540	2 Wire Braid	8	SAE 100R2AT	-	LOADER TUBES TO LOADER BUCKET CYL	Polyethylene Spiral Sleeve
9	A	911002720600	1/2" BSP	1/2" BSP	ST	ST	4	600	2 Wire Braid	8	SAE 100R2AT	-	LOADER TUBES TO LOADER LIFT CYL	SPIRAL SPRING GUARD
10	A	911208111100	5/8" BSP	5/8" BSP	ST	90-80mm Drop Length	1	1100	2 Wire Braid	10	SAE 100R2AT	-	EXCAVATOR CV TO JUNCTION PLATE (BEND LENGTH=125)	SPIRAL SPRING GUARD
11	A	911209111000	5/8" BSP	5/8" BSP	ST	90-80mm Drop Length	1	1000	2 Wire Braid	10	SAE 100R2AT	-	EXCAVATOR CV TO JUNCTION PLATE (BEND LENGTH=125)	SPIRAL SPRING GUARD
12	A	911209120020	1/2" BSP	1/2" BSP	ST	90-37mm Drop Length	1	820	2 Wire Braid	8	SAE 100R2AT	-	EXCAVATOR CV TO JUNCTION PLATE (BEND LENGTH=125)	SPIRAL SPRING GUARD
13	A	911209121150	1/2" BSP	1/2" BSP	ST	90-37mm Drop Length	1	1130	2 Wire Braid	8	SAE 100R2AT	-	EXCAVATOR CV TO JUNCTION PLATE (BEND LENGTH=125)	SPIRAL SPRING GUARD
14	A	911209121070	1/2" BSP	1/2" BSP	ST	90-37mm Drop Length	2	1070	2 Wire Braid	8	SAE 100R2AT	-	EXCAVATOR CV TO JUNCTION PLATE (BEND LENGTH=125)	SPIRAL SPRING GUARD
15	A	911209100630	5/8" BSP	3/8" BSP	ST	90-32mm Drop length	2	800	2 Wire Braid	8	SAE100R2	-	EXCAVATOR CV TO SLEW CYL	SPIRAL SPRING GUARD
16	B	911209210300	1" BSP	1" BSP	ST	90-70mm Drop length	2	1050	Spiral 4 Wire	16	SAE 100 R12	-	LOADER CV TO EXCAVATOR CV	-Polyethylene Spiral Sleeve
17	A	912409110000	1/2" BSP	1/2" BSP	ST	ST MALE Bulkhead (THREAD LENGTH=27MM) with check nut	1	1000	2 Wire Braid	8	SAE 100R2AT	-	JUNCTION PLATE TO BOOM CYL. CAP END	Polyethylene Spiral Sleeve
18	A	912409110000	5/8" BSP	5/8" BSP	ST	ST MALE Bulkhead (THREAD LENGTH=27MM) with check nut	1	1000	2 Wire Braid	10	SAE 100R2AT	-	JUNCTION PLATE TO BOOM RAM	Polyethylene Spiral Sleeve
19	A	911202721400	3/8" BSP	3/8" BSP	ST	45-32mm Drop length	4	1400	2 Wire Braid	6	SAE 100R2AT	-	EXCA CV TO STABILIZER RAM	SPIRAL SPRING GUARD
20	B	911209100600	3/8" BSP	3/8" BSP	ST	90-32mm Drop length	2	800	2 Wire Braid	6	SAE 100R2AT	-	SLEW CYL TO SLEW C.Y.	SPIRAL SPRING GUARD
21	A	912002721650	1/2" BSP	1/2" BSP	90-37mm Drop length	90-37mm Drop length	1	1650	2 Wire Braid	8	SAE 100R2AT	270°	TRANSMISSION TO OIL COOLER	Polyethylene Spiral Sleeve
22	A	912002722050	1/2" BSP	1/2" BSP	90-37mm Drop length	90-37mm Drop length	1	2050	2 Wire Braid	8	SAE 100R2AT	90°	TRANSMISSION TO OIL COOLER	Polyethylene Spiral Sleeve
23	A	200546400100	M14	M14	BANJO	BANJO	1	1030	YARN BRAID	6	SAE100R6	-	DIESEL SYCTION PIPE	-
24	A	200546400300	M14	OPEN END	BANJO	OPEN END	1	1050	YARN BRAID	6	SAE100R6	-	DIESEL SYCTION PIPE	-
25	A	912409122390	1/2" BSP	1/2" BSP	ST MALE Bulkhead (THREAD LG=27MM) WITH CHECK NUT	ST	2	2300	2 Wire Braid	8	SAE 100R2AT	-	JUNCTION PLATE TO BUCKET CYL TUBE	Polyethylene Spiral Sleeve
26	A	912409122350	1/2" BSP	1/2" BSP	ST	ST MALE Bulkhead (THREAD LENGTH=27MM) with check nut	1	2300	2 Wire Braid	8	SAE 100R2AT	-	JUNCTION PLATE TO DIPPER CYLINDER	Polyethylene Spiral Sleeve
27	A	912409122350	5/8" BSP	5/8" BSP	ST	ST MALE Bulkhead (THREAD LENGTH=27MM) with check nut	1	2330	2 Wire Braid	10	SAE 100R2AT	-	JUNCTION PLATE TO DIPPER CYLINDER	Polyethylene Spiral Sleeve
28	A	911201250600	1" BSP	1" BSP	ST	90-80mm Drop length	1	800	TSN	16	SAE100R1	-	LOADER CV TO RETURN LINE DIST.BLOCK	Polyethylene Spiral Sleeve
29	A	912002720390	1/2" BSP	1/2" BSP	90-37mm Drop length	90-37mm Drop length	1	380	2 Wire Braid	8	SAE 100R2AT	270°	TRANSMISSION FILTER	-
30	A	911202720385	1/2" BSP	1/2" BSP	ST	90-37mm Drop Length	1	365	2 Wire Braid	8	SAE 100R2AT	-	TRANSMISSION FILTER	-
31	A	200534422100	M10X1	M10X1	ST	ST MALE	1	360	1 wire	4	SAE 100R2AT	-	GREASE HOSE	-
32	A	200534420500	M14	M14	BANJO	BANJO	1	700	YARN BRAID	6	SAE100R6	-	FUEL FLEXIBLE HOSE	-
33	A	32034421400	M14	M14	BANJO	BANJO	1	950	YARN BRAID	6	SAE100R6	-	FUEL FLEXIBLE HOSE	-
34	A	911001252550	1" BSP	1" BSP	ST	ST	1	2550	1 wire	16	SAE100R1	-	COOLER TO RETURN LINE HYD FILTER	Polyethylene Spiral Sleeve
35	B	911202201425	3/4" BSP	3/4" BSP	ST	90-80mm Drop length	1	1425	Spiral 4 Wire	12	SAE 100 R12	-	LOADER CV TO EXCAVATOR CV	Polyethylene Spiral Sleeve
36	A	911202200950	3/4" BSP	3/4" BSP	90-80mm Drop length	90-80mm Drop length	1	595	Spiral 4 Wire	12	SAE 100 R12	0°	TANDEM PUMP TO STEERING UNIT	Polyethylene Spiral Sleeve
37	A	912002721650	3/8" BSP	3/8" BSP	90-32MM Drop length	90-32MM Drop length	2	1650	2 Wire Braid	6	SAE 100R2AT	90°	STG RAM TO STG CYLINDER	Polyethylene Spiral Sleeve
38	A	911002720320	1/2" BSP	1/2" BSP	ST	ST	4	300	2 Wire Braid	6	SAE 100R2AT	-	"F" TO LIFT CYL. FEED PIPE	Polyethylene Spiral Sleeve

DATE:-02.07.2022

APPROVED:-

LOADER ARM LIFT CYLINDER (924500800800)

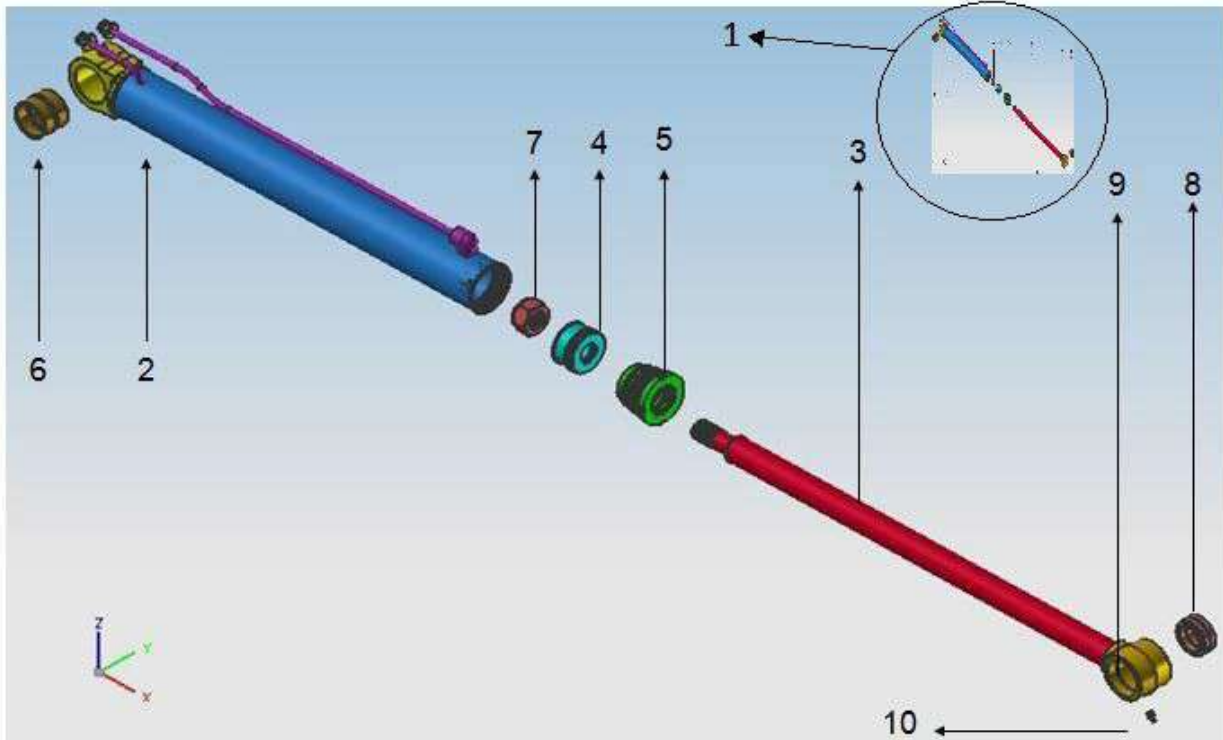
FIGURE NO: - 10.01



S. No	Part No	REV	DESCRIPTION	QTY	REMARKS
1	924500800730	A	LOADER ARM CYLINDER ASSEMBLY	1	500-086-04-00
2	200347720900	A	TUBE ASSEMBLY	1	500-086-01-01
3	200347721000	A	PISTON ROD ASSEMBLY	1	500-086-01-02
4	200347721100	A	PISTON	1	500-086-01-03
5	200347721200	A	GLAND (H.E COVER)	1	500-004-00-04
6	200347721300	A	BUSH (BARREL)	1	500-086-01-05
7	200347721400	A	LOCK NUT	1	500-086-00-06
8	200347721500	A	SPHERICAL BEARING (PISTON ROD)	1	500-086-00-07
9	200347721600	A	CIRCLIP - INTERNAL	2	500-086-00-08
10	200347721700	A	GREASE NIPPLE – STRAIGHT	2	500-086-00-09
11	200347721800	A	SPARE SEAL KIT	1	500-086-00-99

LOADER BUCKET CYLINDER (924500800758)

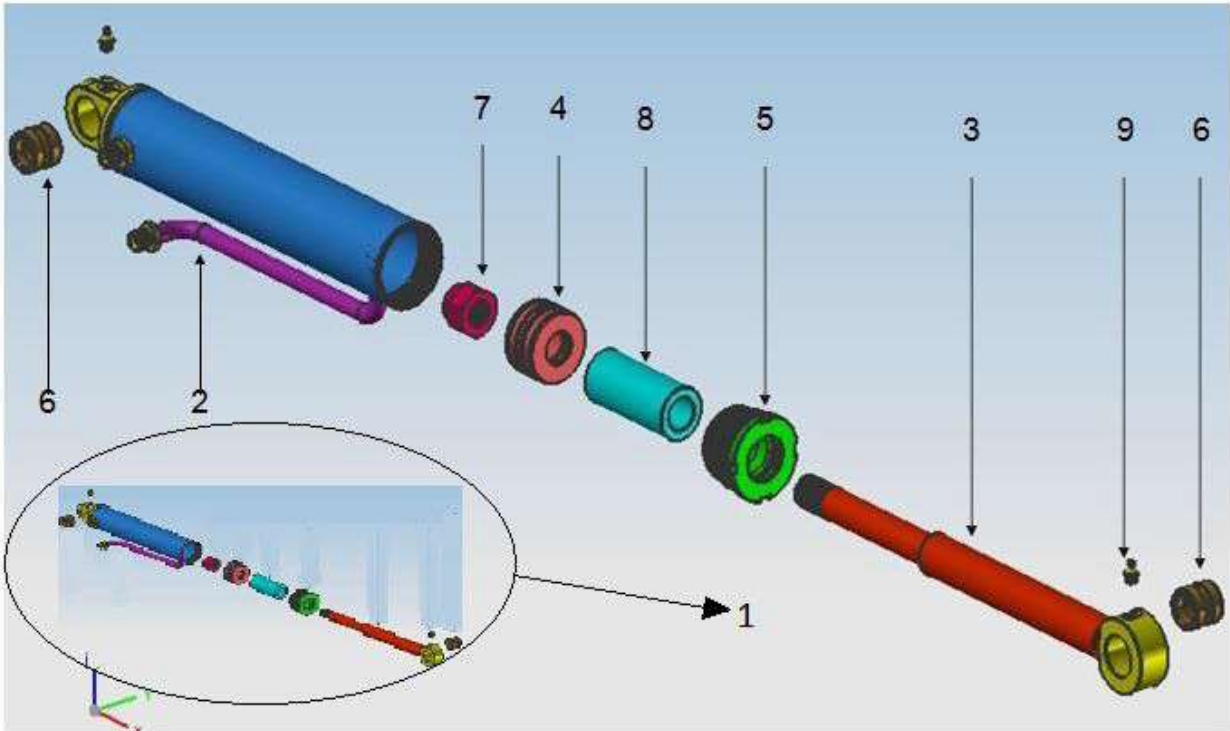
FIGURE NO: - 10.02



S. No	Part No	REV	DESCRIPTION	QTY	REMARKS
1	924500800670	A	LOADER BUCKET CYLINDER ASSEMBLY	1	500-128-02-00
2	200347719900	A	TUBE ASSEMBLY	1	500-128-01-01
3	200347720000	A	PISTON ROD ASSEMBLY	1	500-086-01-02
4	200347720100	A	PISTON	1	500-086-01-03
5	200347720200	A	GLAND (H.E COVER)	1	500-004-00-04
6	200347720300	A	BUSH (BARREL)	1	500-086-01-05
7	200347720400	A	LOCK NUT	1	500-086-00-06
8	200347720500	A	SPHERICAL BEARING (PISTON ROD)	1	500-086-00-07
9	200347720600	A	CIRCLIP - INTERNAL	2	500-086-00-08
10	200347720700	A	GREASE NIPPLE – STRAIGHT	2	500-086-00-09
11	200347720800	A	SPARE SEAL KIT	1	500-086-00-99

STEERING CYLINDER (924360630200)

FIGURE NO: - 10.03

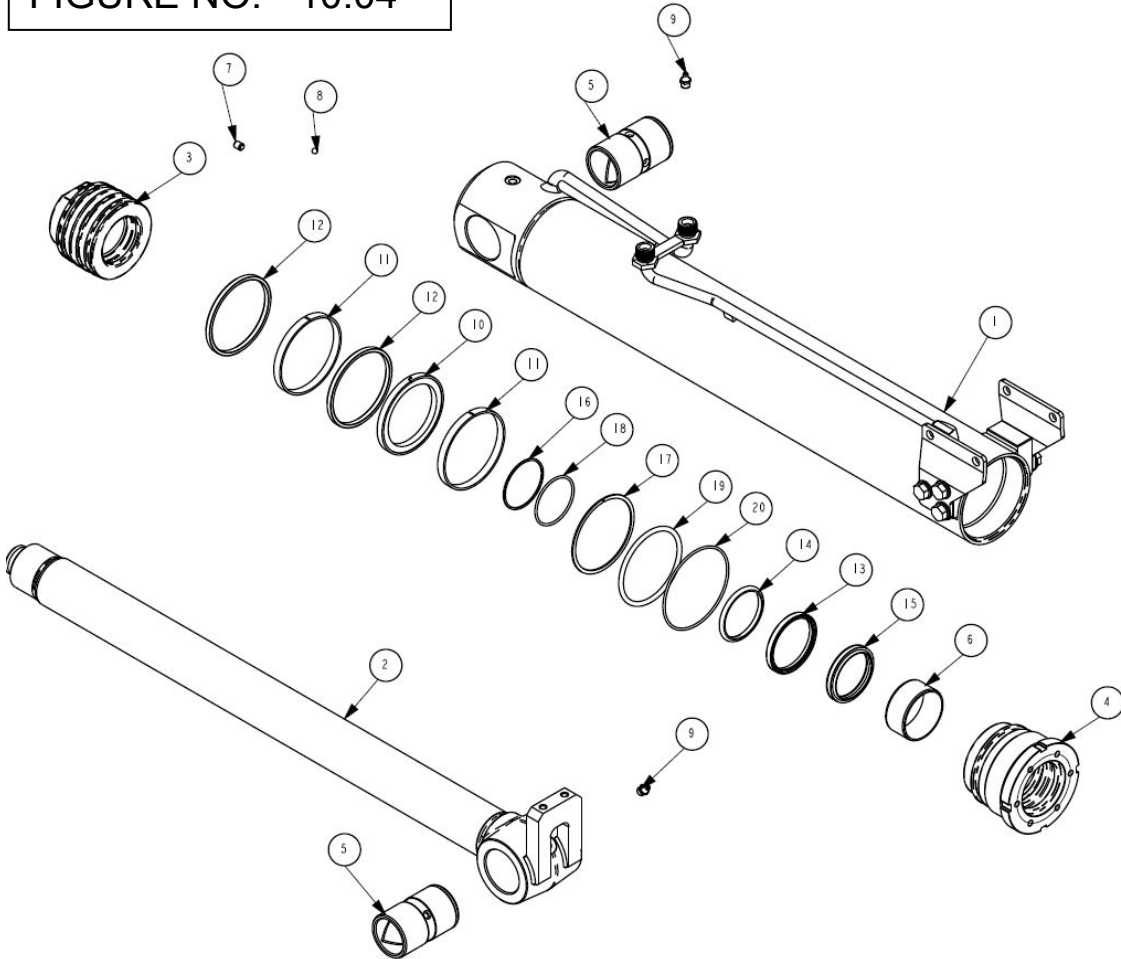


S. No	Part No	REV	DESCRIPTION	QTY	REMARKS
1	924360630200	A	STEERING CYLINDER ASSEMBLY	1	500-089-03-00
2	200347721900	A	TUBE ASSEMBLY	1	500-089-01-01
3	200347722000	A	PISTON ROD ASSEMBLY	1	500-089-01-02
4	200347722100	A	PISTON	1	500-089-00-03
5	200347722200	A	GLAND (H.E COVER)	1	500-089-00-04
6	200347722300	A	BUSH (BARREL & P.ROD)	2	500-058-01-05
7	200347722400	A	LOCK NUT	1	500-089-00-08
8	200347722500	A	STOP TUBE	1	500-089-00-07
9	200347722600	A	GREASE NIPPLE	2	500-086-00-10
10	200347722700	A	SPARE SEAL KIT	1	500-089-00-99

STABILIZER CYLINDER (100X60X560)

(200395101809)

FIGURE NO: - 10.04



S. NO	DESCRIPTION	PART NO	QTY
-	ARM CYLINDER ASSY	500-1221-00-00	1
01	TUBE FULL ASSY	500-1221-00-01	1
02	PISTON ROD ASSY	500-1221-00-02	1
03	PISTON	500-1000-00-03	1
04	GLAND	500-1221-00-04	1
05	BUSH(RC) & (RE)	500-1221-00-05	2
06	SL BEARING	500-0087-00-06	1
07	GRUB SCREW	500-1221-00-07	1
08	SPH BALL	500-1221-00-08	1
09	GREASE NIPPLE	500-1221-00-09	2
10*	PISTON SEAL	500-0954-00-10	1
11*	WEAR RING	500-0954-00-11	2
12*	CONTAMINATION SEAL	500-0954-00-12	2
13*	ROD SEAL	500-1221-00-13	1
14*	BUFFER SEAL	500-1000-00-14	1
15*	WIPER SEAL	500-1221-00-15	1
16*	B/U RING	500-0954-00-16	1
17*	B/U RING	500-1000-00-17	1
18*	O RING	500-0954-00-18	1
19*	O RING	500-1054-00-19	1
20*	O RING	500-0954-00-20	1
	SEAL KIT	500-1221-00-99	1 SET

STABILIZER CYLINDER (100X60X560)

(200395101809)

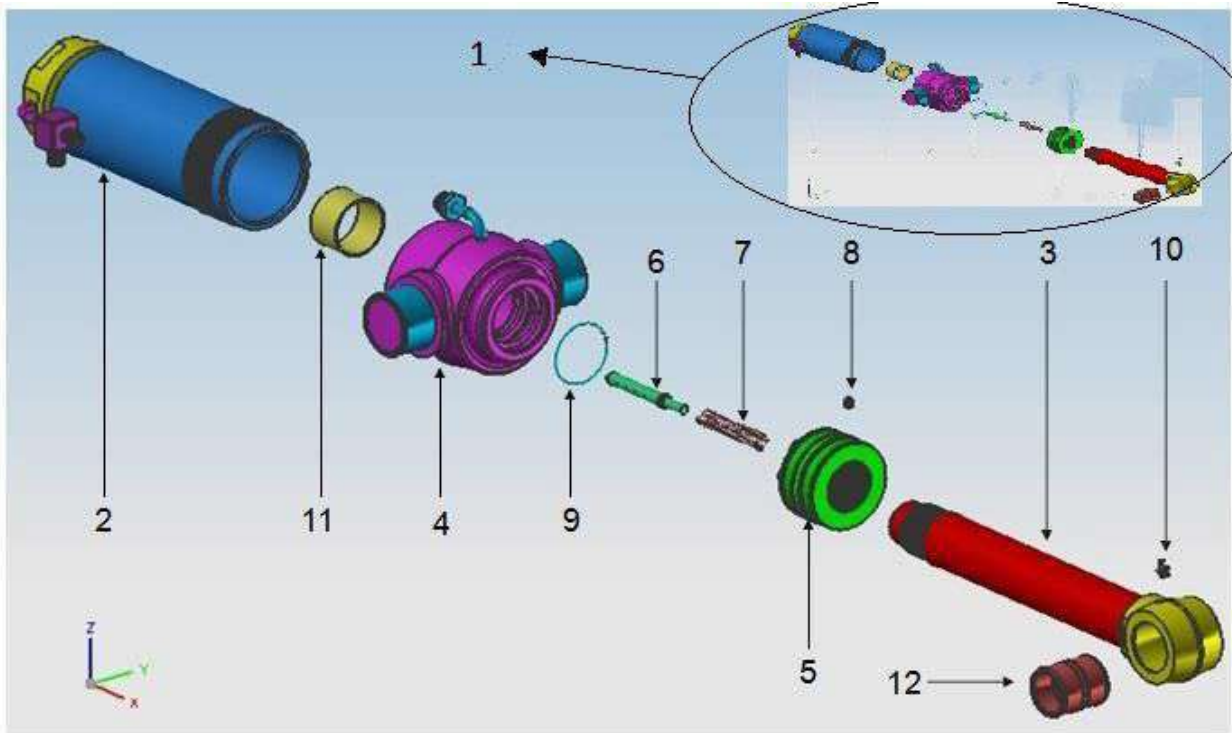
FIGURE NO: - 10.04

S. No	Part No	REV	DESCRIPTION	QTY	REMARKS
	200347740800		ARM CYLINDER ASSY 500-1221-00-00 1	1	500-1221-00-00
1	200347740900	A	TUBE FULL ASSY	1	500-1221-00-01
2	200347741000	A	PISTON ROD ASSY	1	500-1221-00-02
3	200347741100	A	PISTON	1	500-1000-00-03
4	200347741200	A	GLAND	1	500-1221-00-04
5	200347741300	A	BUSH (RC) & (RE)	2	500-1221-00-05
6	200347741400	A	SL BEARING	1	500-0087-00-06
7	200347741500	A	GRUB SCREW	1	500-1221-00-07
8	200347741600	A	SPH BALL	1	500-1221-00-08
9	200347741700	A	GREASE NIPPLE	2	500-1221-00-09
10	200347741800	A	PISTON SEAL	1	500-0954-00-10
11	200347741900	A	WEAR RING	2	500-0954-00-11
12	200347742000	A	CONTOMINATION SEAL	2	500-0954-00-12
13	200347742100	A	ROD SEAL	1	500-1221-00-13
14	200347742200	A	BUFFER SEAL	1	500-1000-00-14
15	200347742300	A	WIPER SEAL	1	500-1221-00-15
16	200347742400	A	B/U RING	1	500-0954-00-16
17	200347742500	A	B/U RING	1	500-1000-00-17
18	200347742600	A	O RING	1	500-0954-00-18
19	200347742700	A	O RING	1	500-1054-00-19
20	200347742800	A	O RING	1	500-0954-00-20
21	200347742900	A	SEAL KIT	1 SET	500-1221-00-99

SWING CYLINDER (100X60X224)

(924631000224-RH/924631000225-LH)

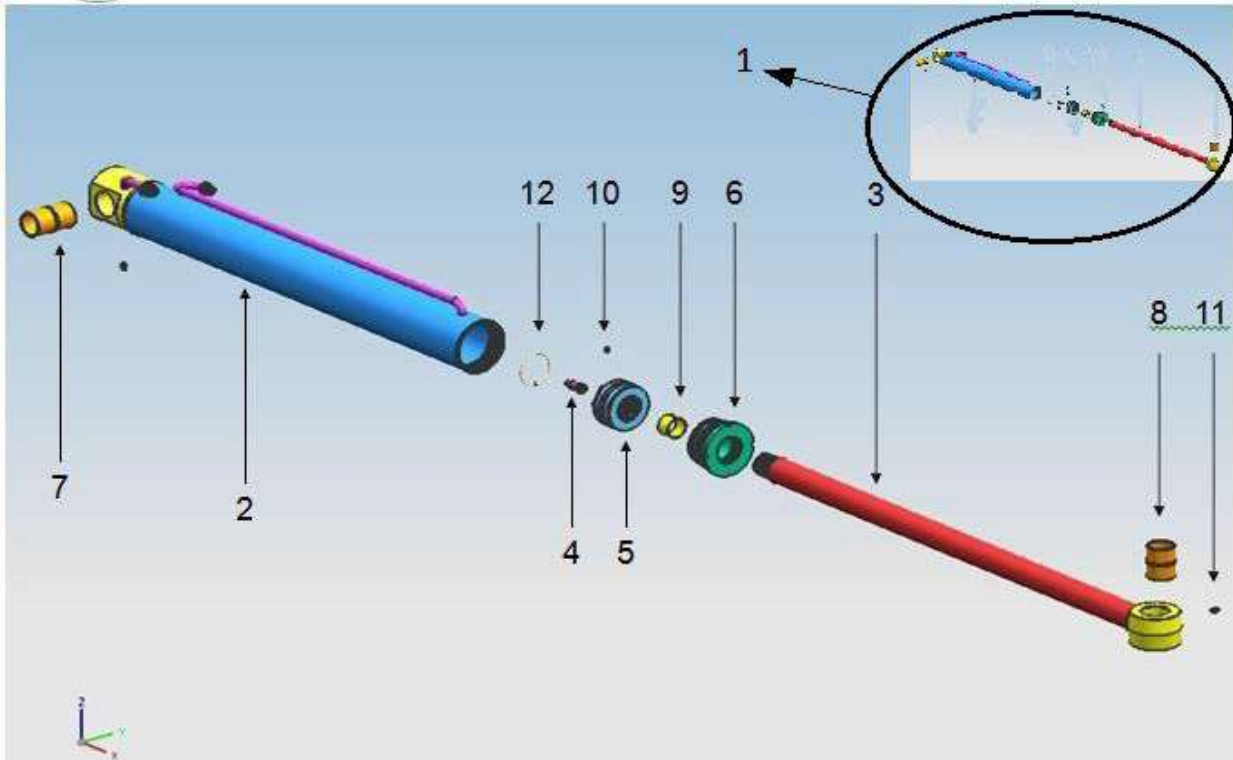
FIGURE NO: - 10.05



S. No	Part No	REV	DESCRIPTION	QTY	REMARKS
1	924601000224	A	SWING CYLINDER ASSEMBLY	1	500-124-05-00
2	200347723800	A	TUBE ASSEMBLY	1	500-124-01-01
3	200347723900	A	PISTON ROD ASSEMBLY	1	500-124-01-02
4	200347724000	A	TRUNNION ASSEMBLY	1	500-124-02-03
5	200347724100	A	PISTON	1	500-056-00-04
6	200347724200	A	CUSHION PLUNGER	1	500-056-01-07
7	200347724300	A	SPRING	1	500-056-00-09
8	200347724400	A	GRUB SCREW	1	500-124-00-05
9	200347724500	A	SNAP RING (GLAND WIPER)	1	500-056-00-11
10	200347724600	A	GREASE NIPPLE	2	500-086-00-09
11	200347724700	A	SELF LUBRICATION BEARING	1	500-124-00-08
12	200347724800	A	BUSH (PISTON ROD)	1	500-003-01-06
13	200347724900	A	SPARE SEAL KIT	1	500-056-00-99

BOOM CYLINDER (110X60X955) (924631100955)

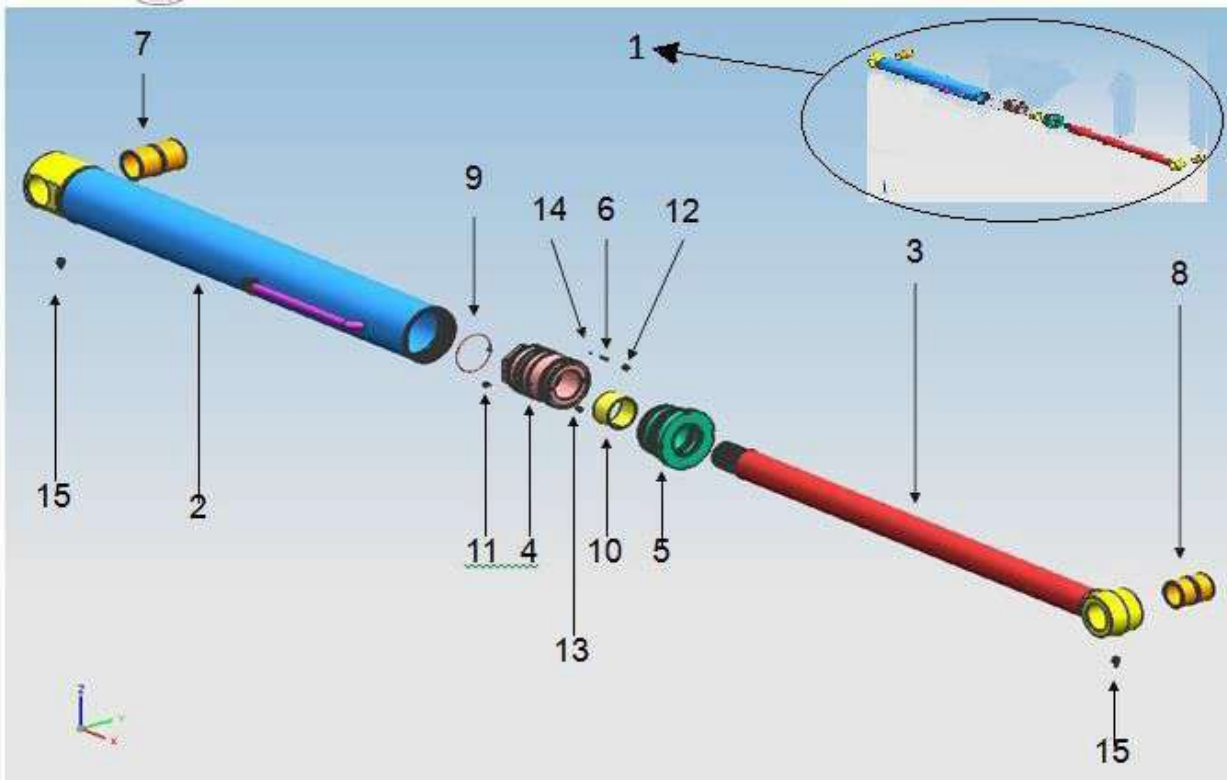
FIGURE NO: - 10.06



S. No	Part No	REV	DESCRIPTION	QTY	REMARKS
1	924601100955	A	BOOM CYLINDER ASSEMBLY	1	500-125-04-00
2	200347725000	A	TUBE ASSEMBLY	1	500-125-03-01
3	200347725100	A	PISTON ROD ASSEMBLY	1	500-125-02-02
4	200347725200	A	PISTON	1	500-125-01-03
5	200347725300	A	GLAND (H.E COVER)	1	500-125-01-04
6	200347725400	A	BUSH (BARREL)	1	500-125-01-05
7	200347725500	A	BUSH (PISTON ROD)	1	500-125-01-06
8	200347725600	A	PLUNGER ASSEMBLY	1	500-125-00-07
9	200347725700	A	SELF-LUBRICATION BEARING (GLAND)	1	500-087-00-10
10	200347725800	A	GRUB SCREW	1	500-125-00-08
11	200347725900	A	GREASE NIPPLE	2	500-086-00-09
12	200347726000	A	WIRE CIRCLIP	1	500-001-00-09
13	200347726100	A	SPARE SEAL KIT	1	500-125-00-99

DIPPER CYLINDER (100X60X742) (924631000743)

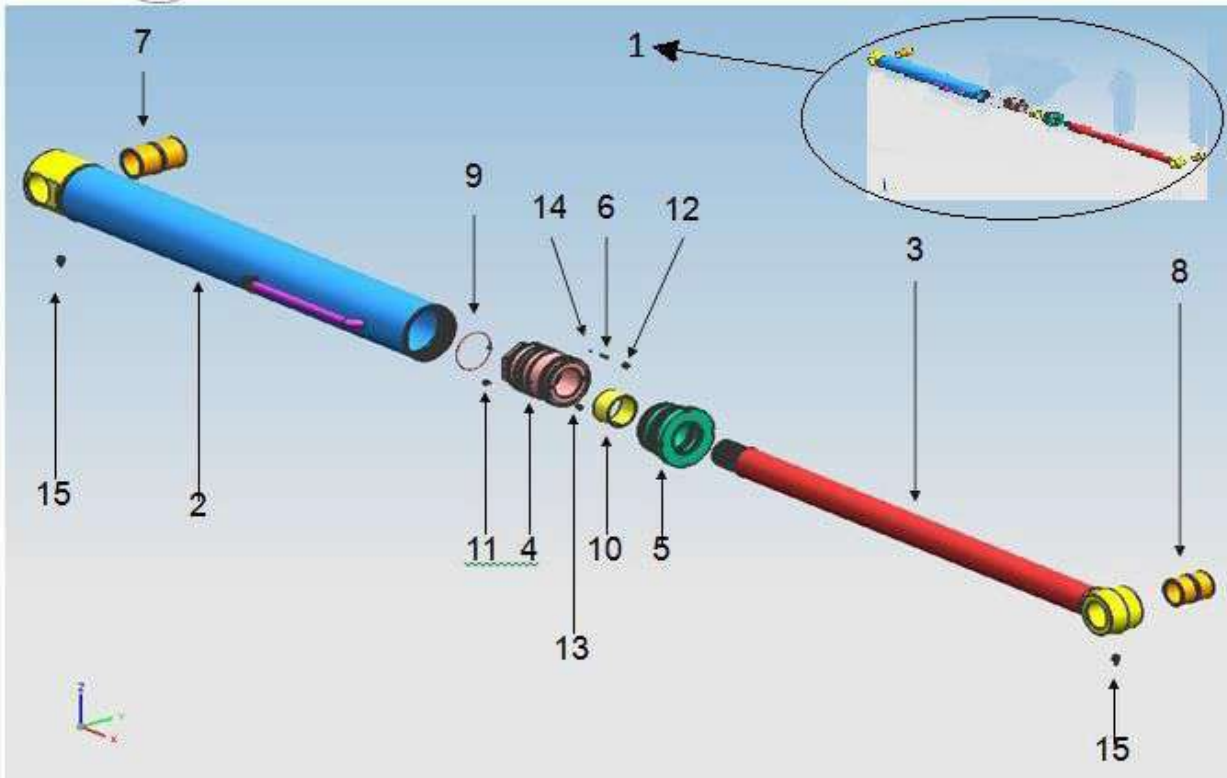
FIGURE NO: - 10.07



S. No	Part No	REV	DESCRIPTION	QTY	REMARKS
1	924601000742	A	DIPPER CYLINDER ASSEMBLY	1	500-087-05-00
2	200347726200	A	TUBE ASSEMBLY	1	500-087-03-01
3	200347726300	A	PISTON ROD ASSEMBLY	1	500-087-01-02
4	200347726400	A	PISTON	1	500-001-00-03
5	200347726500	A	GLAND (H.E COVER)	1	500-001-00-04
6	200347726600	A	SPRING	1	500-125-00-09
7	200347726700	A	BUSH (BARREL)	1	500-087-01-07
8	200347726800	A	BUSH (PISTON ROD)	1	500-087-01-08
9	200347726900	A	WIRE CIRCLIP	1	500-001-00-09
10	200347727000	A	SELF LUBRICATION BEARING (GLAND)	1	500-087-00-11

DIPPER CYLINDER (100X60X742) (924631000743)

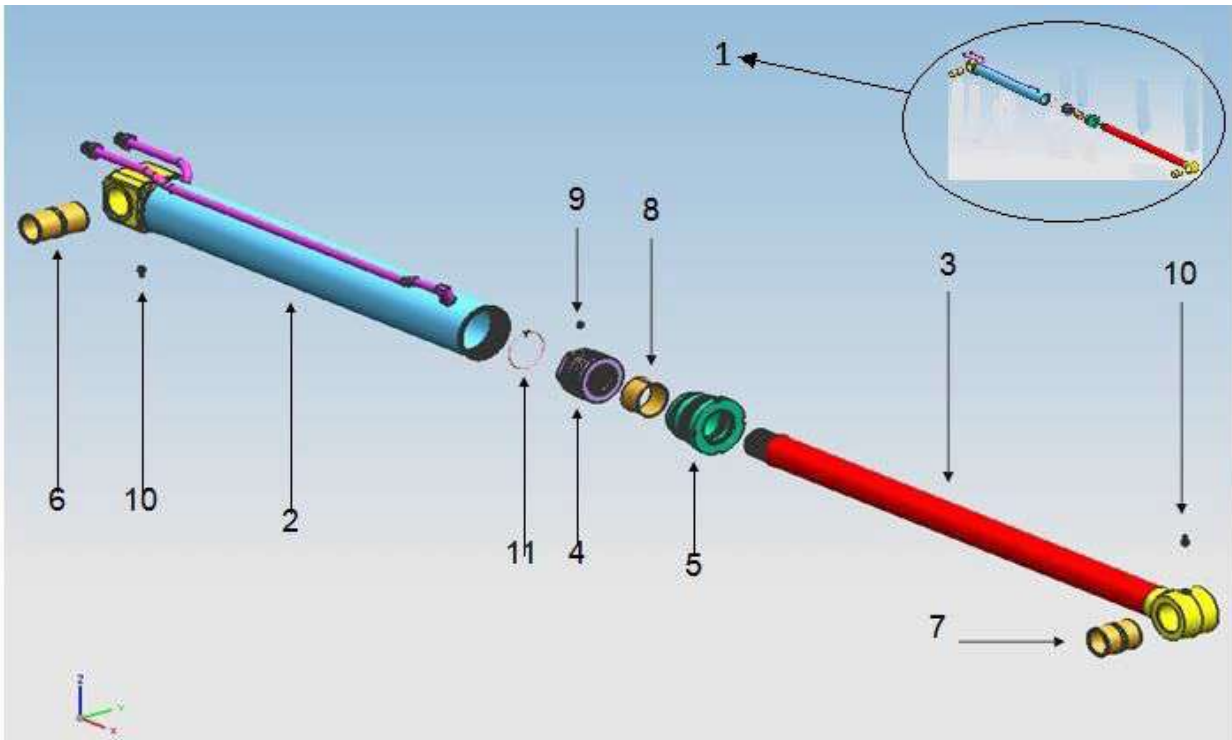
FIGURE NO: - 10.07



S. No	Part No	REV	DESCRIPTION	QTY	REMARKS
11	200347727100	A	GRUB SCREW	1	500-087-00-12
12	200347727200	A	ORIFICE -1	1	500-087-00-09
13	200347727300	A	ORIFICE -2	1	500-087-00-10
14	200347727400	A	SPHERICAL BALL	1	500-087-00-13
15	200347727500	A	GREASE NIPPLE	2	500-086-00-14
16	200347727600	A	SPARE SEAL KIT	1	500-001-00-99

EXCAVATOR BUCKET CYLINDER (90X60X665) (924600900645)

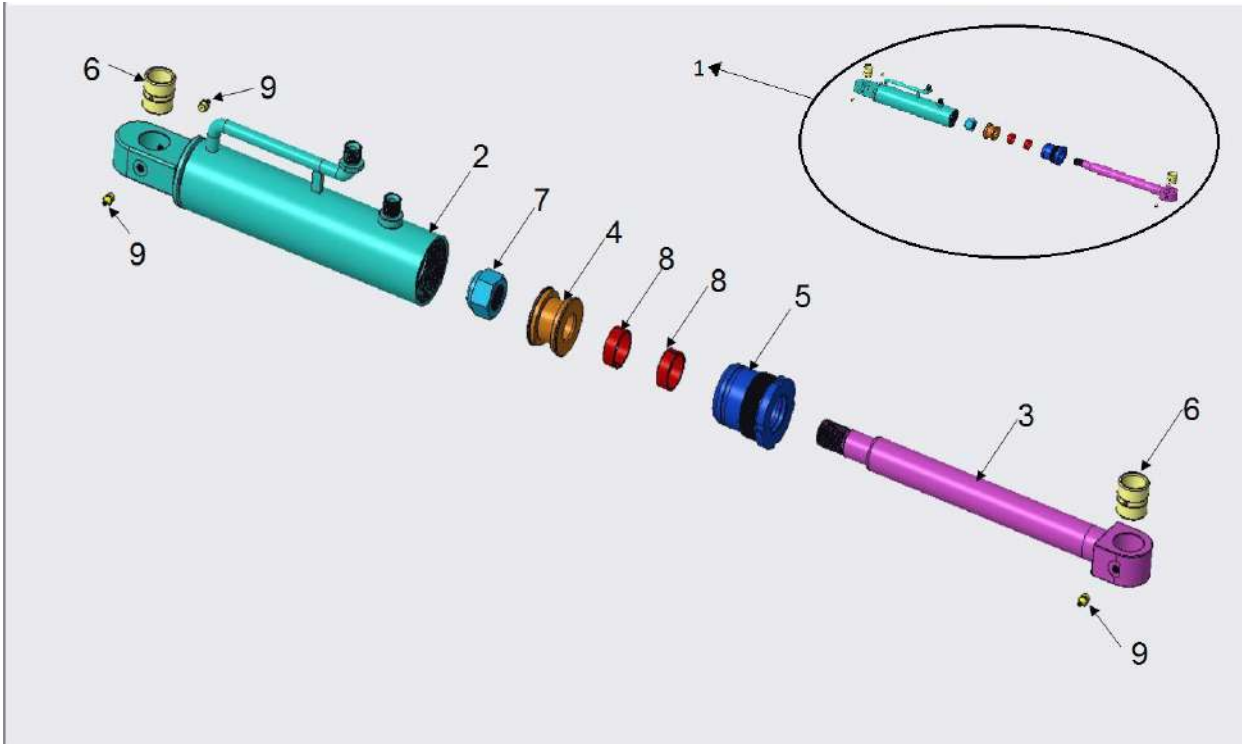
FIGURE NO: - 10.08



S. No	Part No	REV	DESCRIPTION	QTY	REMARKS
1	924600900645	A	BUCKET CYLINDER ASSEMBLY	1	500-088-04-00
2	200347727700	A	TUBE ASSEMBLY	1	500-088-01-01
3	200347727800	A	PISTON ROD ASSEMBLY	1	500-088-00-02
4	200347727900	A	PISTON	1	500-003-00-03
5	200347728000	A	GLAND (H.E COVER)	1	500-003-00-04
6	200347728100	A	BUSH (BARREL)	1	500-088-00-05
7	200347728200	A	BUSH (PISTON ROD)	1	500-087-01-08
8	200347728300	A	SELF LUBRICATION BEARING (GLAND)	1	500-087-00-10
9	200347728400	A	GRUB SCREW	1	500-088-00-06
10	200347728500	A	GREASE NIPPLE	2	500-086-00-09
11	200347728600	A	WIRE CIRCLIP	1	500-003-00-07
12	200347728700	A	SPARE SEAL KIT	1	500-088-00-99

6 IN 1 BUCKET CYLINDER (924400700190)

FIGURE NO: - 10.09



S. No	Part No	REV	DESCRIPTION	QTY	REMARKS
1	924400700190	A	6 IN 1 BUCKET CYLINDER ASSEMBLY	1	500-0228-00-00
2	200347728800	A	TUBE ASSEMBLY	1	500-0228-00-01
3	200347728900	A	PISTON ROD ASSEMBLY	1	500-0228-00-02
4	200347729000	A	PISTON	1	500-0228-00-03
5	200347729100	A	GLAND	1	500-0228-00-04
6	200347729200	A	BUSH (RC & RE)	2	500-0228-00-05
7	200347729300	A	LOCK NUT	1	500-0228-00-06
8	200347729400	A	SELF LUBRICATION BEARING (GLAND)	2	500-0228-00-07
9	200347729500	A	GREASE NIPPLE	3	500-086-00-14
10	200347729600	A	SPARE SEAL KIT	1	500-0228-00-99

