

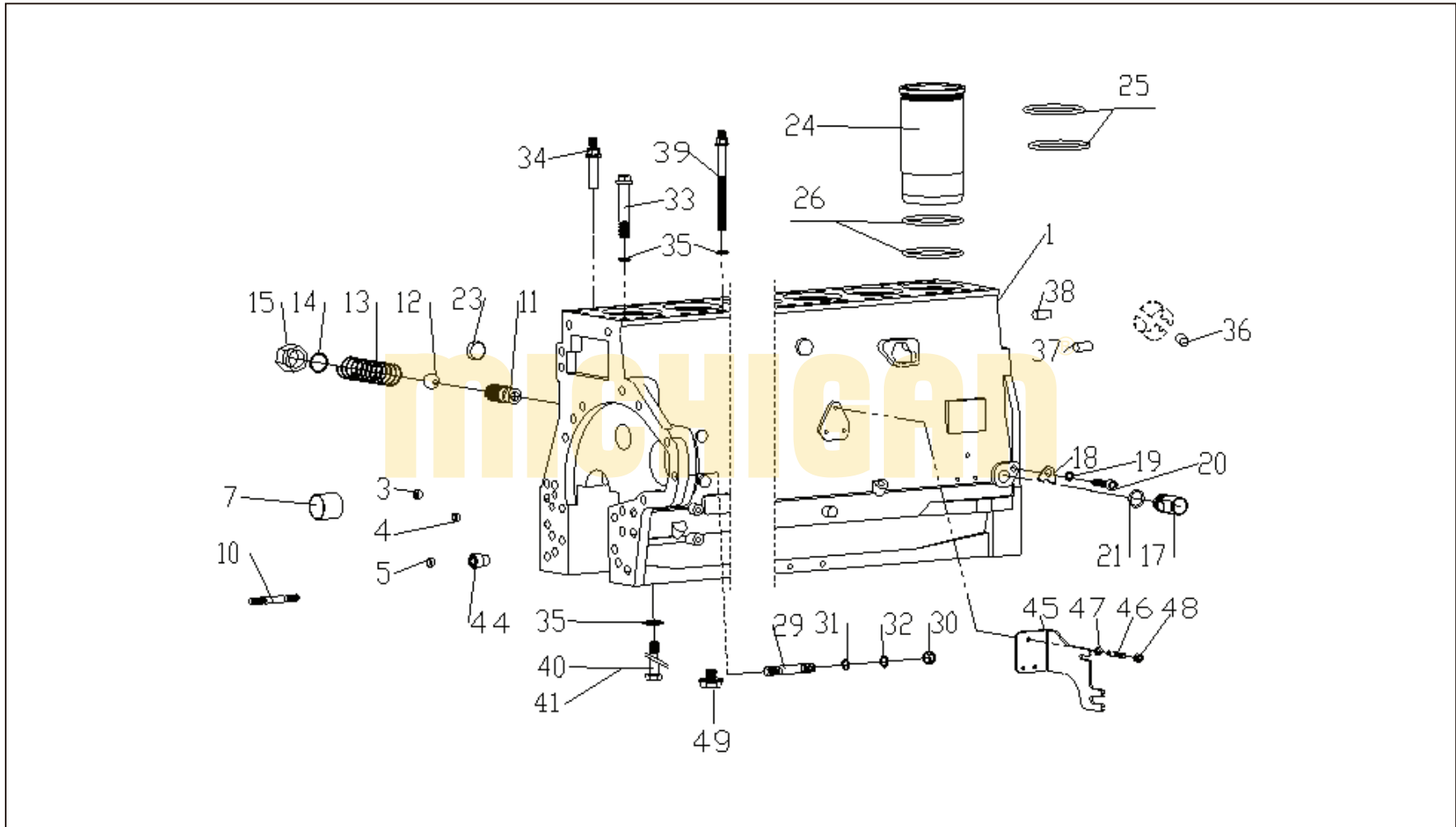
DESPIECE DE MOTOR

CARGADORA | R65C-R75C II-BM75HD-M75HD-M80HD



MICHIGAN[®]

CRANKCASE ASSEMBLY



CRANKCASE ASSEMBLY

Pos	Teile.number	ENGINE Typ. (Stk.)		DIN/Fremdfabr.Nr.	Denomination	Designation
		DHB06G0131	DHB06G0132			
1	13034813	1	--			ENGINE BLOCK
3	12151365	9	8	290/s-8		PLUG
4	12273515	2	2	290/-12		PLUG
5	12273557	2	2	290/-13		PLUG
7	12159599	1	1			BEARING BUSH
10	1153348	1	1	M8*25-10.9 Zn DGB898		STUD
11	12167053	1	1			SCREW FITTING
12	1116958	1	1	9GB308		BALL
13	1221356	1	1			COMPRESSINO SPRING
14	13023361	1	1	16JB982		SEALINE RING
15	12167057	1	1	BM14*135 DIN931-10.9		ACORN NUT
17	12160117	1	1			MANIFOLD
18	12160129	1	1			RETAINING PLATE
19	1177981	1	1	Q40308		SPRING LOCK WASHER
20	1151498	1	1	M8*16-12.9 GB70		CHEESE HEAD SCREW
21	1153869	1	1	20.3*24 H2927		O-SEAL
23	1152717	5	5	50 DIN443		COVER

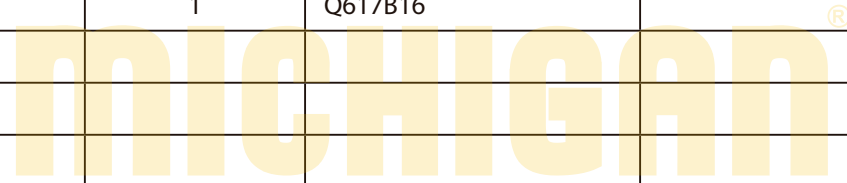
CRANKCASE ASSEMBLY

Pos	Teile.number	ENGINE Typ. (Stk.)		DIN/Fremdfabr.Nr.	Denomination	Designation
		DHB06G0131	DHB06G0132			
24	13024173	6	6			CYLINDER LINER
25	1153805	12	12	116*4-NBR-1-60H2927		O-SEAL
26	1153804	12	12	114*1.6 H2927		O-SEAL
29	1113477	4	4	Q1201035		STUD
30	13021999	4	4			HEXAGON BOLT
31	12166173	4	4			PLAIN WASHER
32	1117867	4	4	Q41210F9		TOOTH LOCK WASHER
33	13037377	17	17			CYLINDER HEAD BOLT
34	13037378	5	5			CYLINDER HEAD BOLT
35	12165568	5	5			PLAIN WASHER
36	1115413	7	7	Q5280408		STRAIGHT PIN
37	1105156	3	3	Q5210818		PARALLEL PIN
38	11105182	2	2	Q5211028		PARALLEL PIN
39	13037379	2	2			CYLINDER HEAD BOLT
40	12164651	12	12			HEXAGON BOLT
41	13033057	2	2			HEXAGON BOLT
44	13031278	1	1			SLEEVE

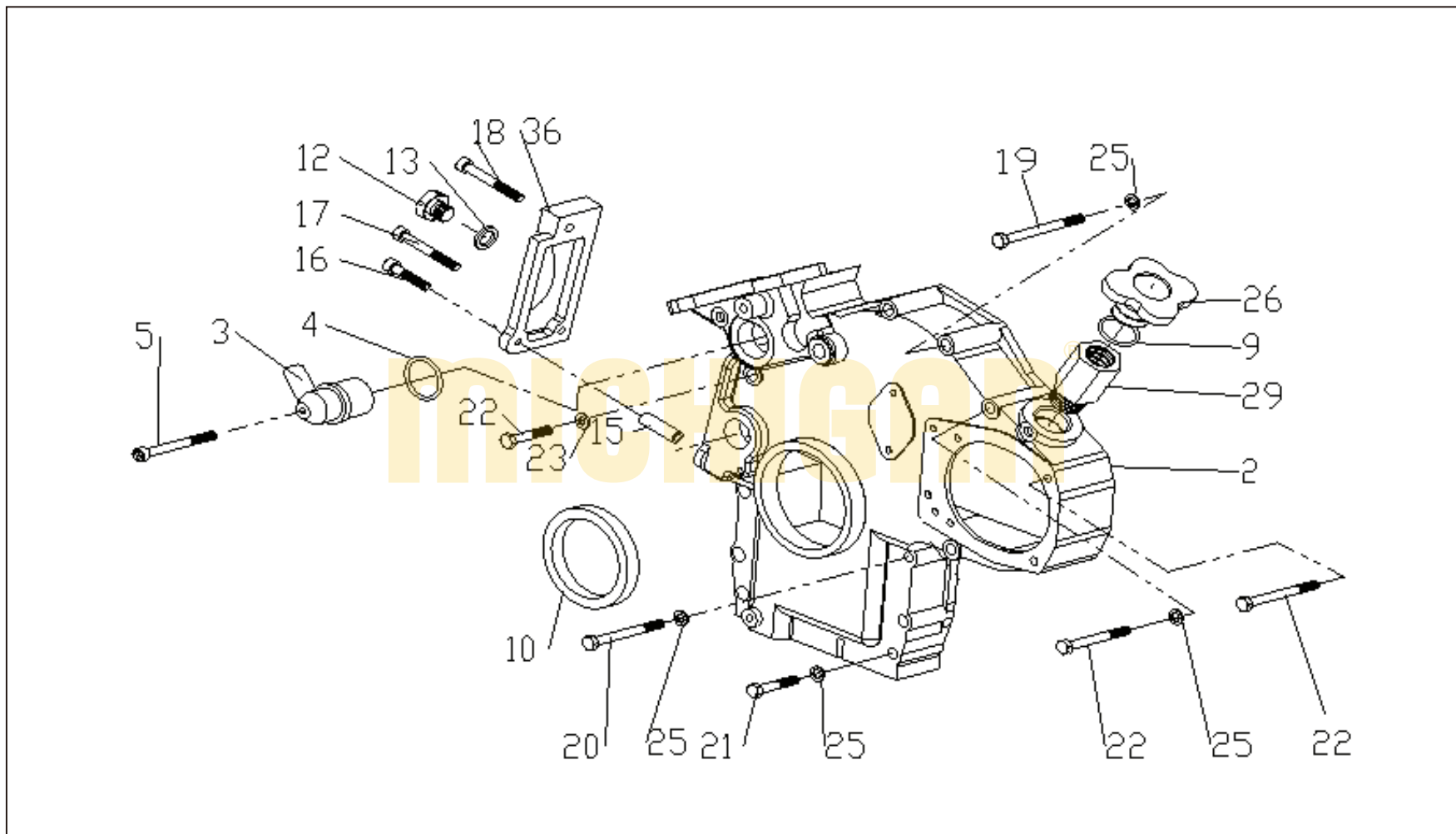


CRANKCASE ASSEMBLY

Pos	Teile.number	ENGINE Typ. (Stk.)		DIN/Fremdfabr.Nr.	Denomination	Designation
		DHB06G0131	DHB06G0132			
45	13052937	--	--			BRACKET
45	13054924	--	1			BRACKET
46	1151599	3	3	Q1200616		STUD
47	12167427	3	3			GASKET
48	1152783	3	3	Q360B06		HEXAGON BOLT
49	1151453	1	1	Q617B16		SCREW PLUG



CRANKCASE ASSEMBLY



CRANKCASE ASSEMBLY

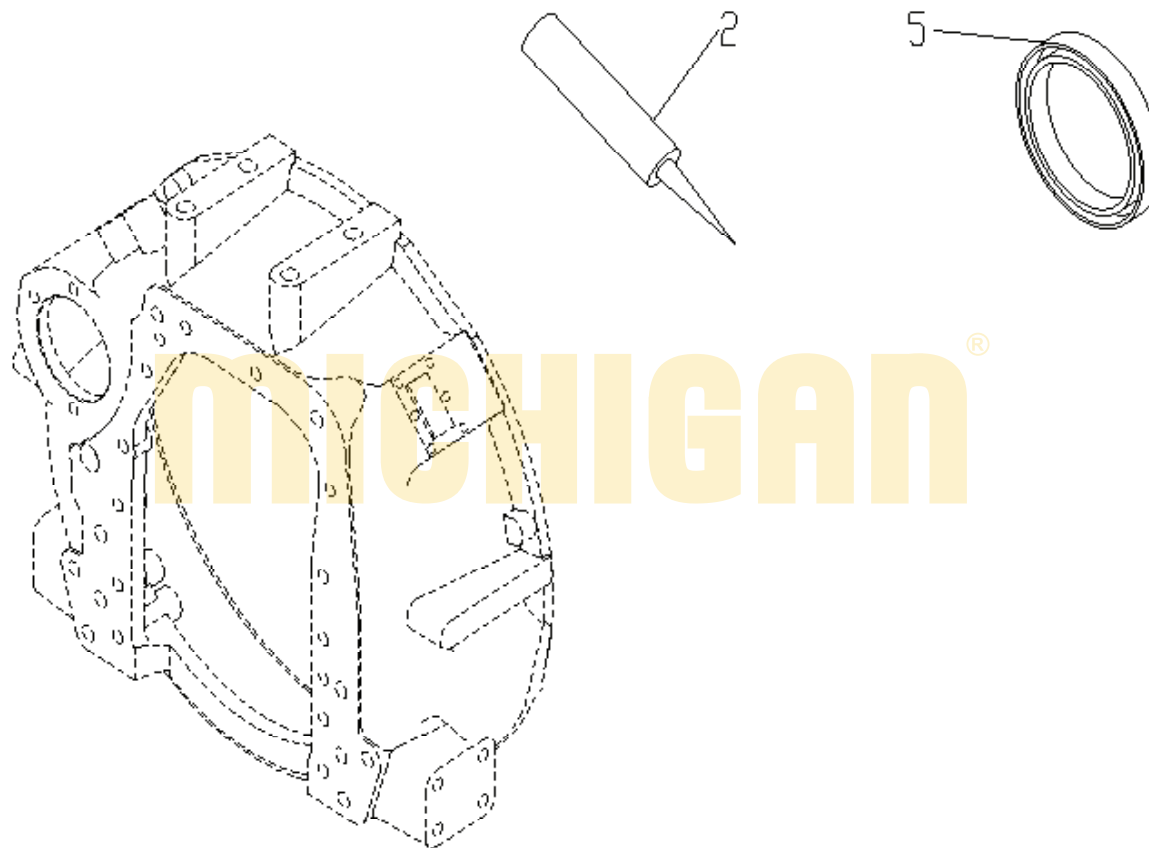
Pos	Teile.number	(Stk.)		DIN/Fremdfabr.Nr.	Denomination	Designation
		DHB06G0131	DHB06G0132			
2	13033663	--	1			CRANKC.END COVER
2	13039941	1	--			CRANKC.END COVER
2	13034470	--	--			CRANKC.END COVER
3	13031548	1	1			HOUSING/CASE
4	1161340	1	1	40*4-NBR-1-60H2927		O-SEAL
5	1111096	1	1	Q150B0690		HEXAGON BOLT
9	6214722	2	2	32*4-NBR-1-70H2927		O-SEAL
10	12188100	1	1			ROTARY SHAFT SEAL
12	12200730	1	1			SCREW PLUG
13	612600080200	1	1	A22*27Cu-DIN7603		SEALING RING
16	1112331	1	1	Q150B0825		HEXAGON BOLT
17	1137083	1	1	Q150B0820		HEXAGON BOLT
18	1112416	1	1	Q150B1025		HEXAGON BOLT
19	1111198	2	2	Q150B0890		HEXAGON BOLT
20	1139584	1	1	Q150B0835		HEXAGON BOLT
21	1111151	5	5	Q150B0845		HEXAGON BOLT
22	1111184	4	4	Q150B0875		HEXAGON BOLT

CRANKCASE ASSEMBLY

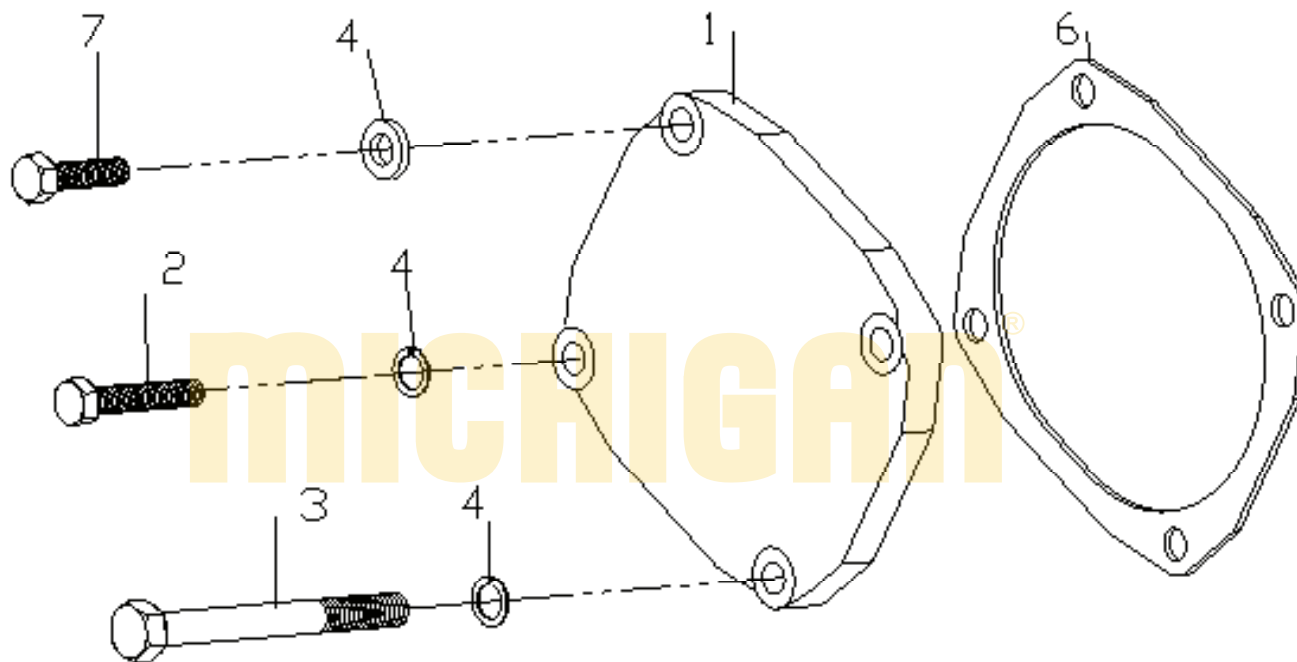
Pos	Teile.number	ENGINE Typ. (Stk.)		DIN/Fremdfabr.Nr.	Denomination	Designation
		DHB06G0131	DHB06G0132			
23	13023357	1	1			SEALING RING
25	1177981	11	11	Q40308		SPRING LOCK WASHER
26	12165572	1	1			SCREW PLUG
29	12272285	1	1			TIE-IN
36	13020237	1	1			SHIELD

MICHIGAN[®]

CRANKCASE ASSEMBLY

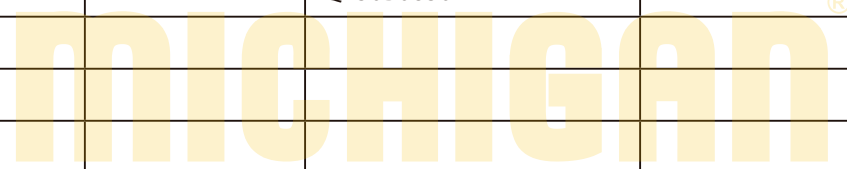


CRANKCASE ASSEMBLY

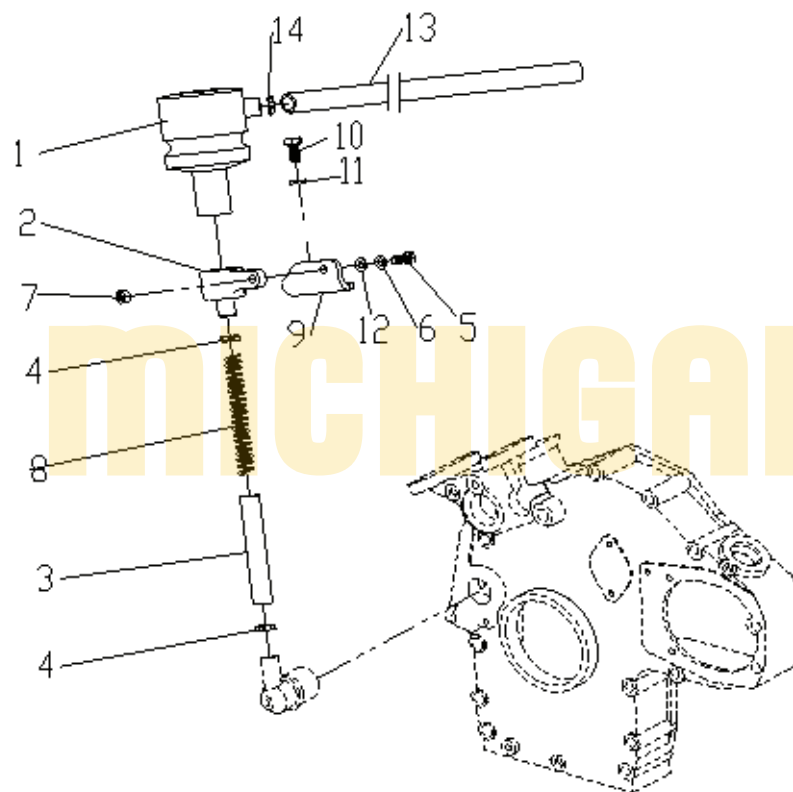


CRANKCASE ASSEMBLY

Pos	Teile.number	ENGINE Typ. (Stk.)		DIN/Fremdfabr.Nr.	Denomination	Designation
		DHB06G0131	DHB06G0132			
1	12166808	1	1			COVER
2	1112331	1	1	Q150B0825		HEXAGON BOLT
3	1111198	2	2	Q150B0890		HEXAGON BOLT
4	1177981	4	4	Q40308		SPRING LOCK WASHER
6	12189678	1	1			GASKET
7	1113391	1	1	Q150B0830		HEXAGON BOLT



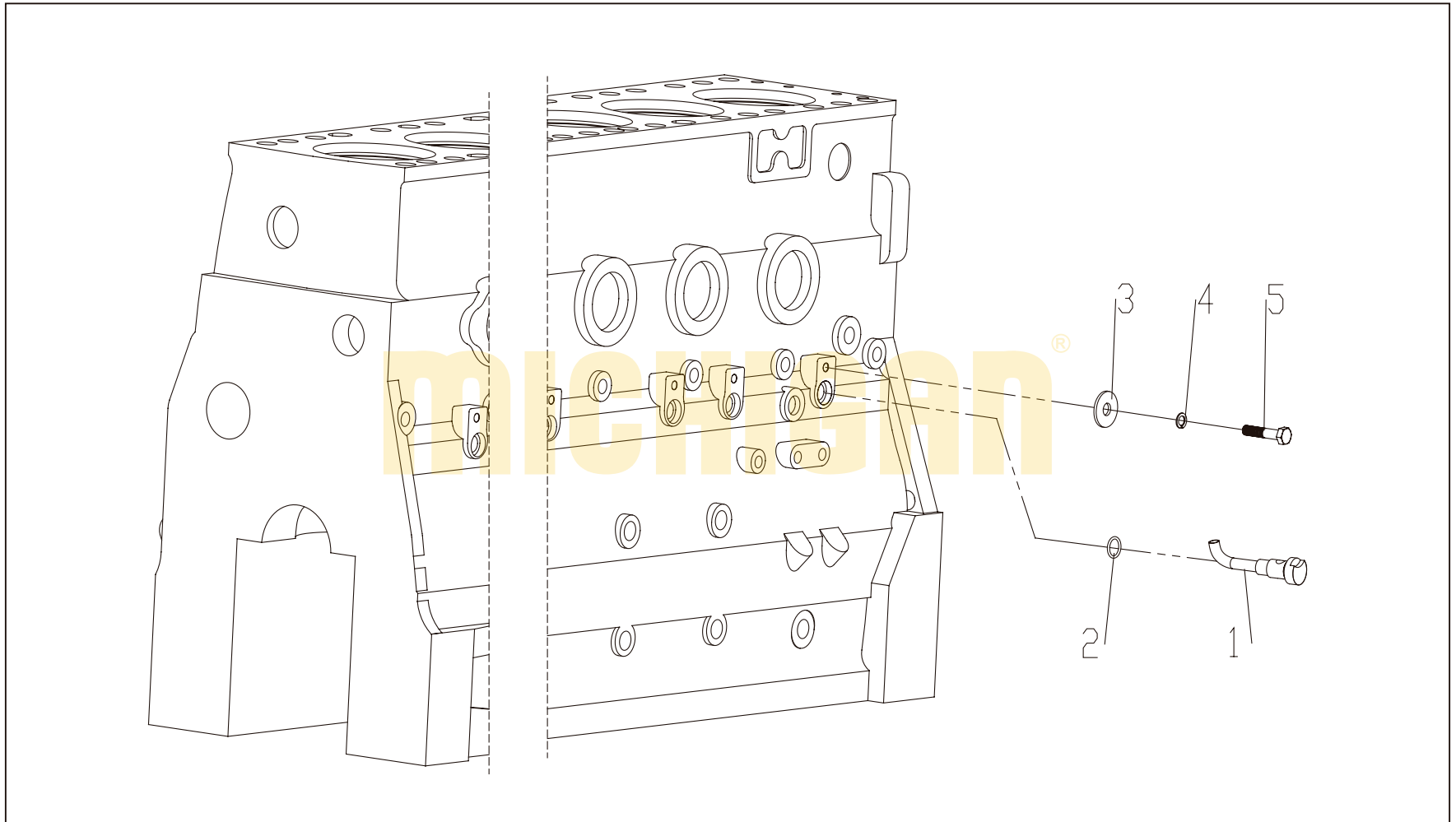
CRANKCASE ASSEMBLY



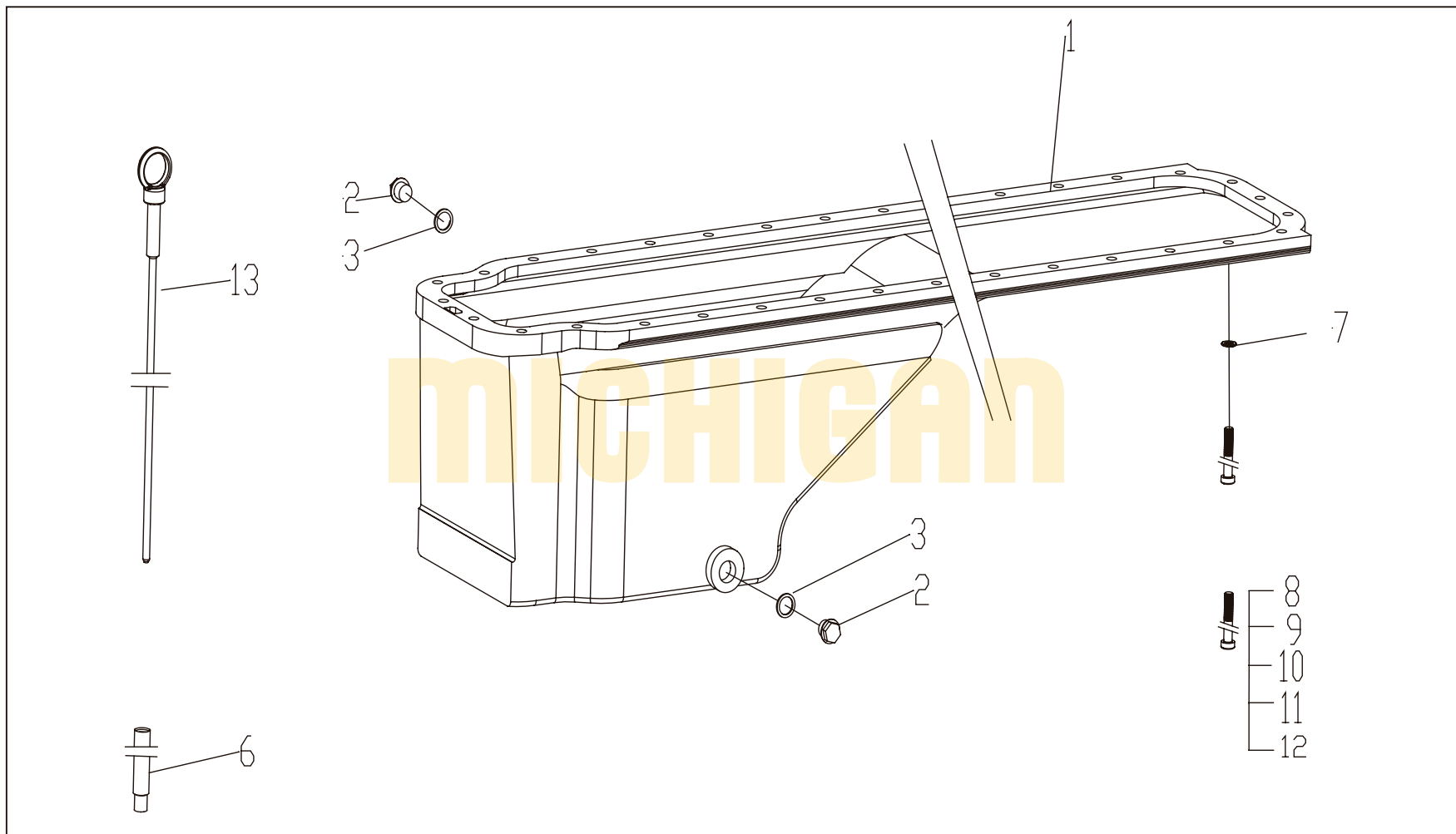
CRANKCASE ASSEMBLY

Pos	Teile.number	ENGINE Typ. (Stk.)		DIN/Fremdfabr.Nr.	Denomination	Designation
		DHB06G0131	DHB06G0132			
1	12270387	1	1			OIL SEPARATOR
2	12270388	1	1			ADAPTER
3	13031742	--	--	A18*24H7761		HOSE
4	13039655	2	2	Q67527		HOSE CLIP
5	1112339	1	1	Q150B0830		HEXAGON BOLT
6	1177981	1	1	Q40308		SPRING LOCK WASHER
7	1112829	1	1	Q360B08		HEXAGON NUT
8	12270389	1	1			COMPRESSION SPRING
9	13024161	--	--			BRACKET
10	1112339	2	2	Q150B1220		HEXAGON BOLT
11	1117281	1	1			SPRING LOCK WASHER
12	1132562	1	1	Q40110		PLAIN WASHER
13	13022800	1	1			HOSE
14	1177986	1	1	Q67545		HOSE CLIP

CRANKCASE ASSEMBLY



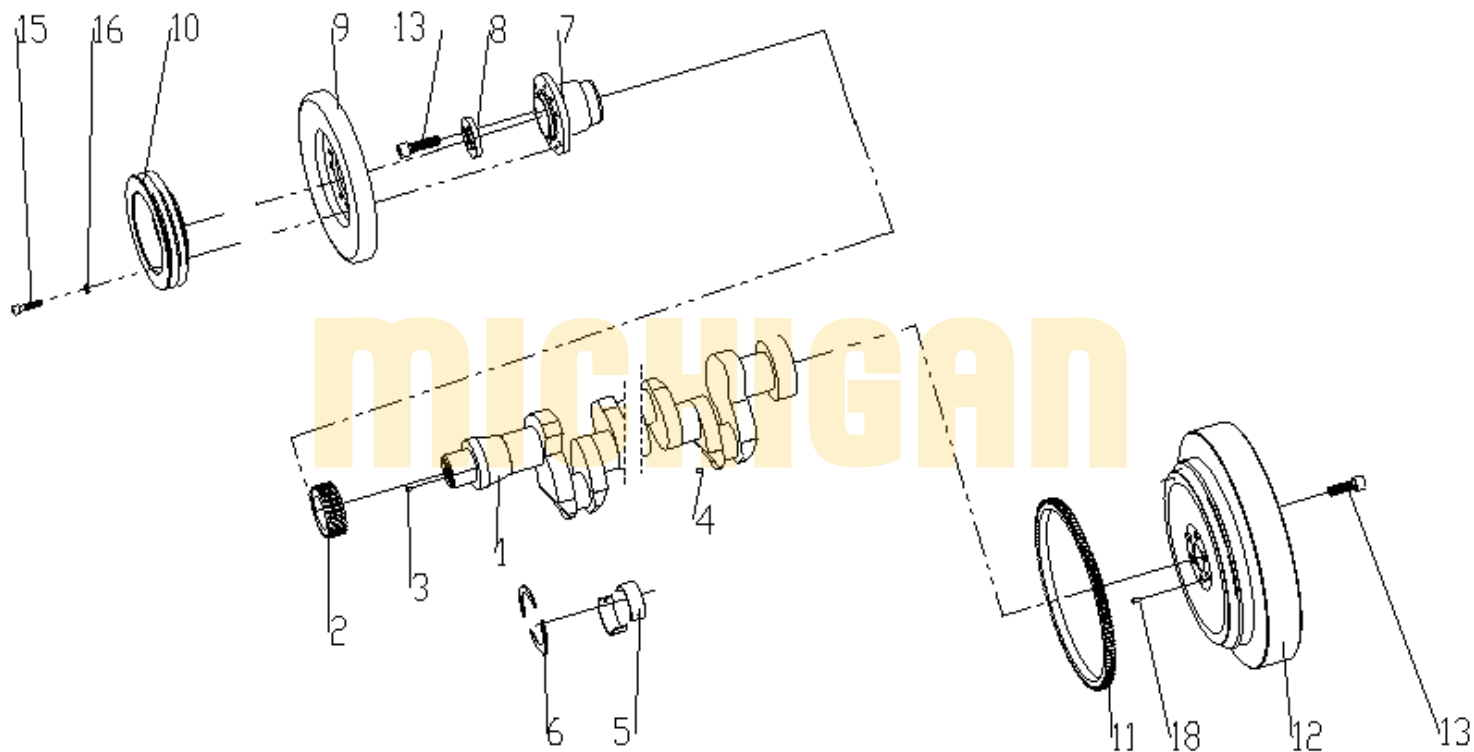
OIL PAN ASSEMBLY



OIL PAN ASSEMBLY

Pos	Teile.number	(Stk.)		DIN/Fremdfabr.Nr.	Denomination	Designation
		DHB06G0131	DHB06G0132			
1	13036094	1	1			OIL PAN
2	612600150302	1	1			SCREW PLUG
3	612600080200	2	2	A21*26-Cu DIN7603		SEALING RING
6	12190556	1	1			TUBE
7	1177981	33	33	Q40308		SPRING LOCK WASHER
8	13024226	--	--	Q218B0845		CHEESE HEAD SCREW
9	13024227	--	--	Q218B0835		CHEESE HEAD SCREW
10	13022514	--	--	Q218B0830		CHEESE HEAD SCREW
11	1112339	26	26	Q150B0812		HEXAGON BOLT
12	13024620	26	26	Q218B0840		CHEESE HEAD SCREW
13	12270457	1	1			DIPSTICK

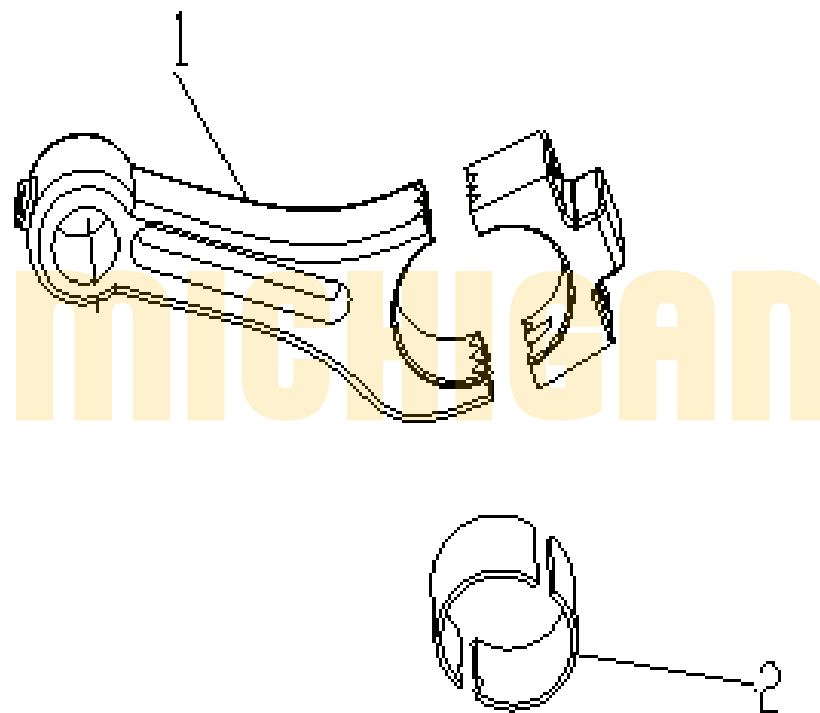
CRANKSHAFT ASSEMBLY



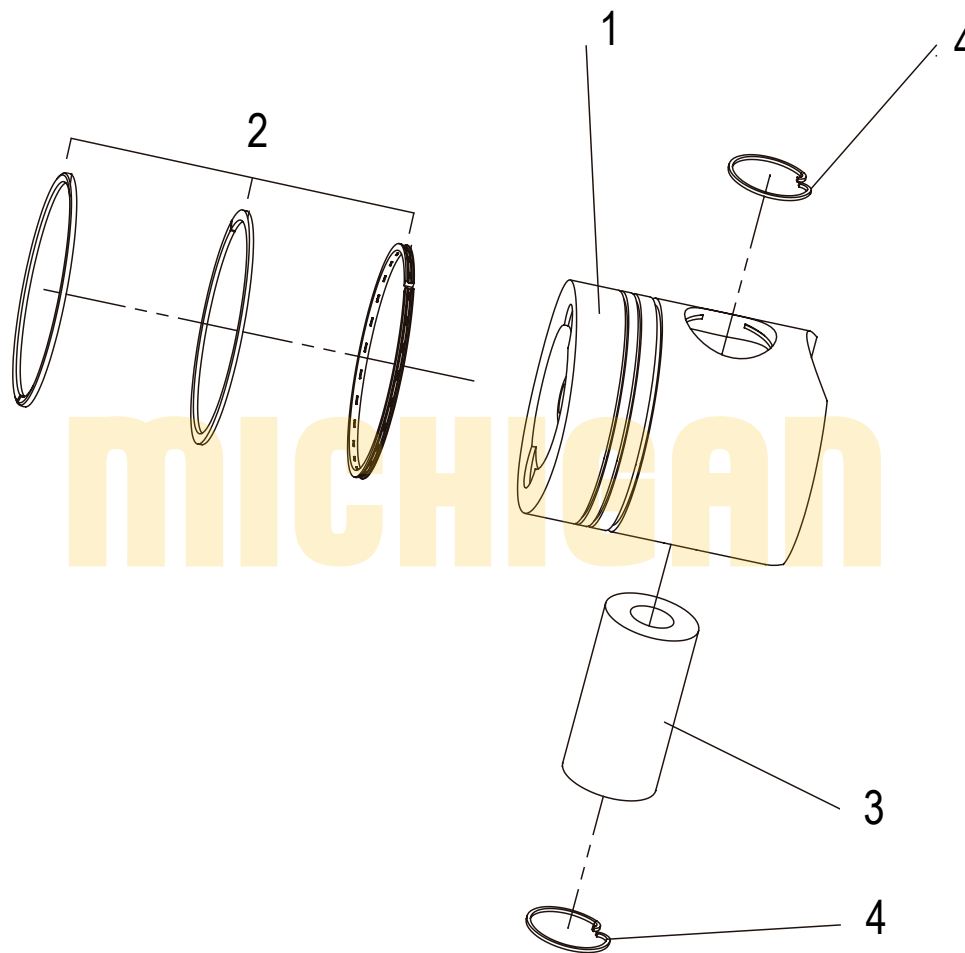
CRANKSHAFT ASSEMBLY

Pos	Teile.number	ENGINE Typ. (Stk.)		DIN/Fremdfabr.Nr.	Denomination	Designation
		DHB06G0131	DHB06G0132			
1	13032128	1	1			CRANKSHAFT
2	13022334	1	1			TIMING GEAR
3	1115416	1	1	Q5280414		STRAIGHT PIN
4	12151364	6	6			PLUG
5	13034908	6	6			MAIN BEARING
6	12273935	1	1			THRUST RING
	12273934	1	1			THRUST RING
7	12190647	1	1			HUB
8	12160534	1	1			PLAIN WASHER
9	12273121	1	1			VIBRATION DAMPER
10	13032251	1	1			V-GROOVED PULLEY
11	13023510	1	1			GEAR RIM
12	13035407	1	1			FLYWHEEL
13	1110847	6	6	N16*50-12GB70		CHEESE HEAD SCREW
15	1110673	6	6	M10*40		CHEESE HEAD SCREW
16	1178365	6	6	Q40310		SPRING LOCK WASHER
18	1125638	1	1	Q5280610		STRAIGHT PIN

CONNECTING ROD ASSEMBLY



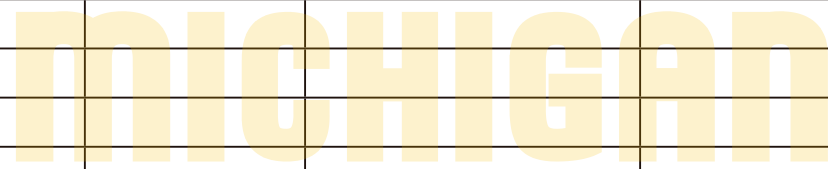
CONNECTING ROD ASSEMBLY



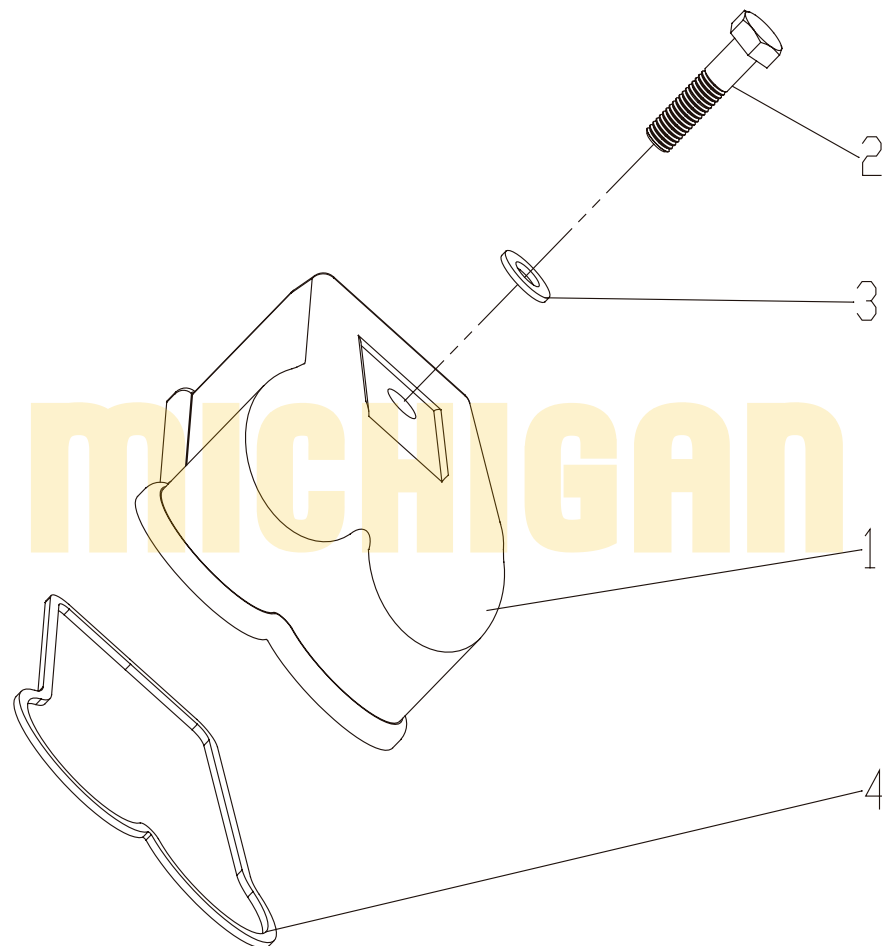


CONNECTING ROD ASSEMBLY

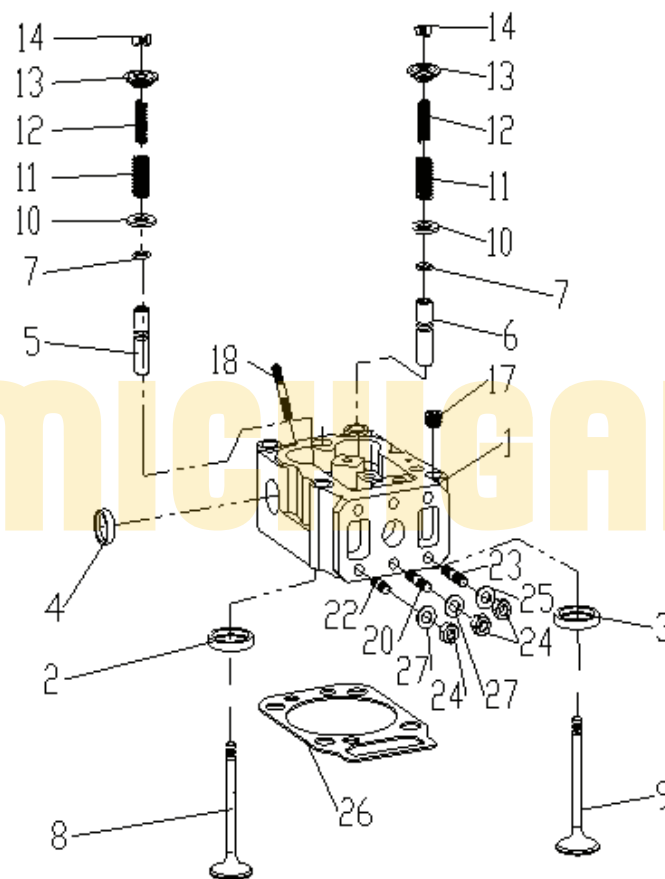
Pos	Teile.number	ENGINE Typ. (Stk.)		DIN/Fremdfabr.Nr.	Denomination	Designation
		DHB06G0131	DHB06G0132			
1	13032095	6	6			PISTON
2	MHD80-13065822	6	6			SET OF PIST.RINGS
3	12152378	6	6			PISTON PIN
4	12151395	12	12			SPRENGRING



CYLINDER HEAD COVER ASSEMBLY



CYLINDER HEAD ASSEMBLY



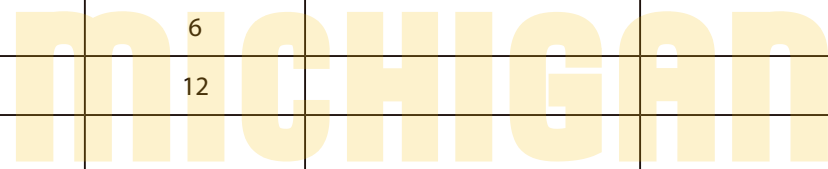
CYLINDER HEAD ASSEMBLY

Pos	Teile.number	ENGINE Typ. (Stk.)		DIN/Fremdfabr.Nr.	Denomination	Designation
		DHB06G0131	DHB06G0132			
1	12279057	6	6			CYLINDER HEAD
2	13026865	6	6			VALVE SEAT INTAKE
3	13026866	6	6			VALVE SEAT EXHAUST
5	13026863	6	6			VALVE GUIDE
6	13026864	6	6			VALVE GUIDE
7	13023391	12	12			AIRPROOF COVER
8	12159606	6	6			INLET VALVE
9	12159608	6	6			EXHAUST VALVE
10	13024293	12	12			SPRING CAP
11	12159606	12	12			VALVE SPRING
12	12159608	12	12			VALVE SPRING
13	12164645	12	12			SPRING CAP
14	12164698	24	24			VALVE COLLET
17	1104736	6	6	ZM22*1.5-5.8-DIN906		SCREW PLUG
18	1152538	12	12	Q1200840		STUD

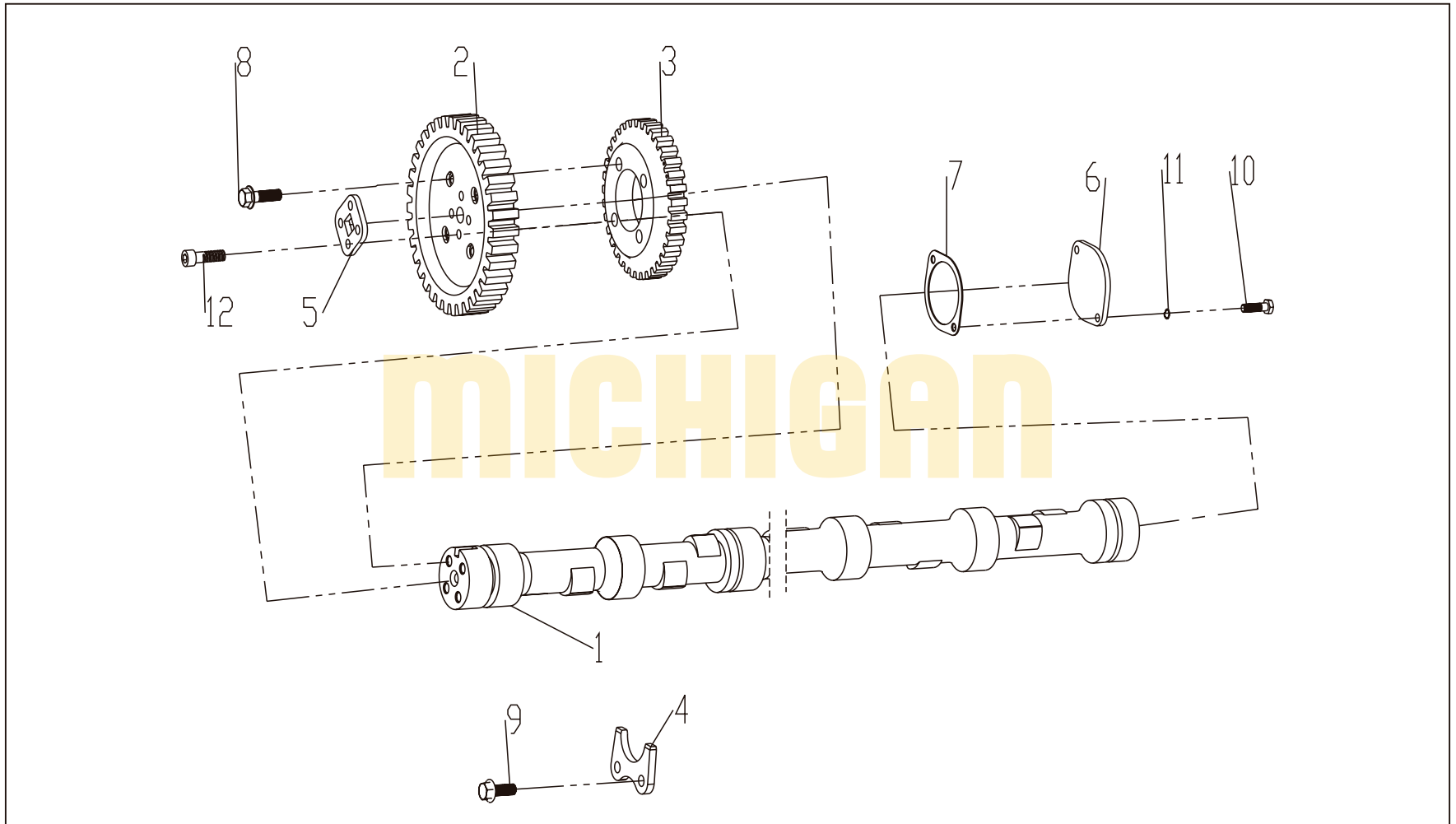


CYLINDER HEAD ASSEMBLY

Pos	Teile.number	ENGINE Typ. (Stk.)		DIN/Fremdfabr.Nr.	Denomination	Designation
		DHB06G0131	DHB06G0132			
20	1152500	6	6	Q12010100		STUD
22	1113472	12	12	Q1201030		STUD
23	13032347	12	12	Q1201040		STUD
24	1143995	24	24	M10-10(☒☒15)		NUT
25	12163182	12	12			PLAIN WASHER
26	13026701	6	6			CYLINDER HEAD GASKET
27	12167216	12	12			PLAIN WASHER



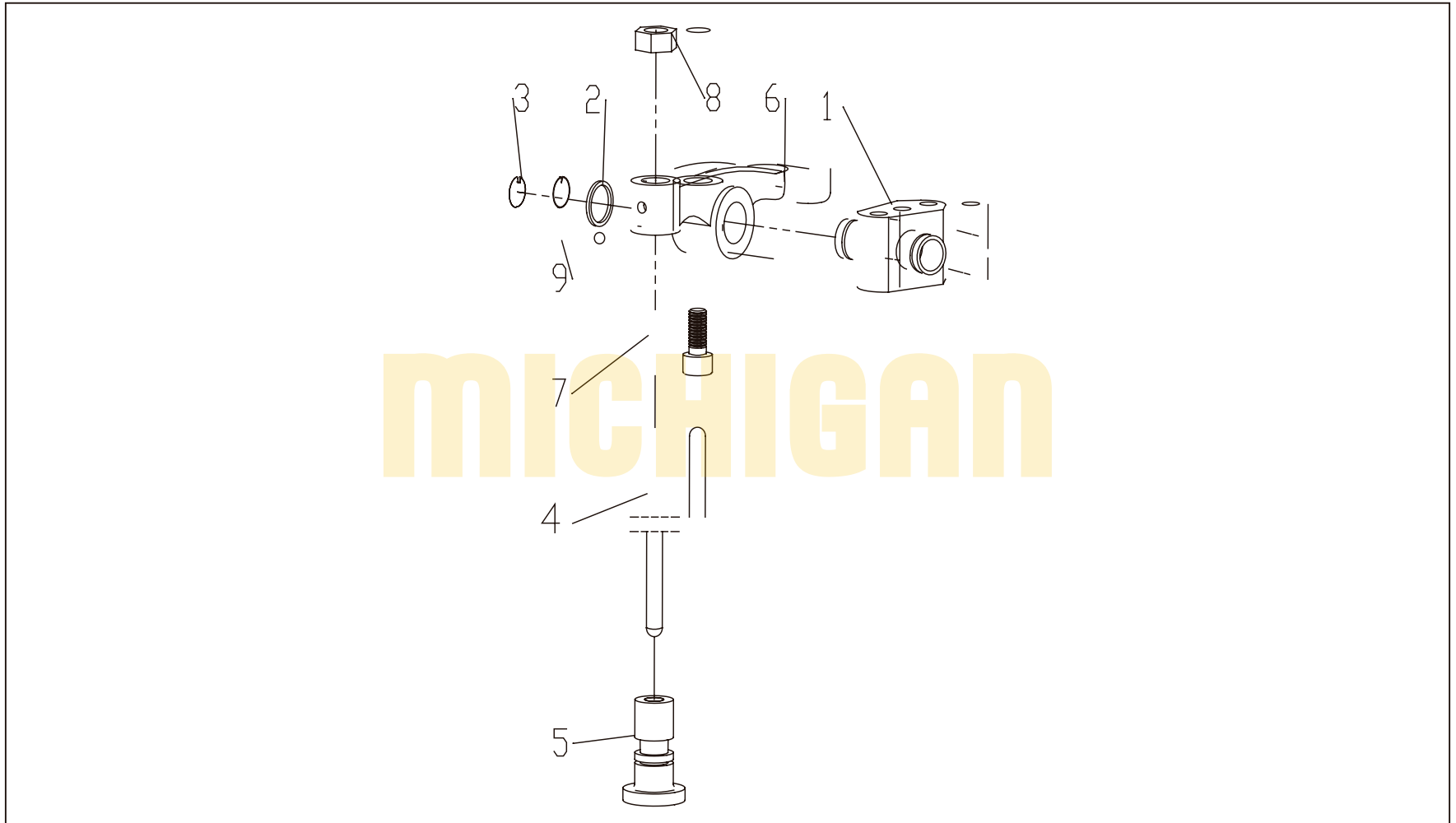
CAMSHAFT ASSEMBLY



CAMSHAFT ASSEMBLY

Pos	Teile.number	ENGINE Typ. (Stk.)		DIN/Fremdfabr.Nr.	Denomination	Designation
		DHB06G0131	DHB06G0132			
1	13031471	1	1			CAMSHAFT
2	12189556	1	1			CAMSHAFT GEAR
4	12159721	1	1			QUADRANT PLATE
5	12189558	1	1			SHAPED FLANGE
6	13051323	1	1			SHAPED FLANGE
7	13051324	1	1	NY300-10TB539		GASKET
8	1157293	4	4	AM8*22-12.9H2009		LOCKING SCREW
9	1157294	2	2	Q1800816		LOCKING SCREW
10	1137083	2	2	Q150B0820		HEXAGON BOLT
11	1177981	2	2	Q40308		SPRING LOCK WASHER
12	1139989	4	4	M10*1.25*25-12.9DIN912		CHEESE HEAD SCREW

ROCKER ARM BRACKET ASSEMBLY

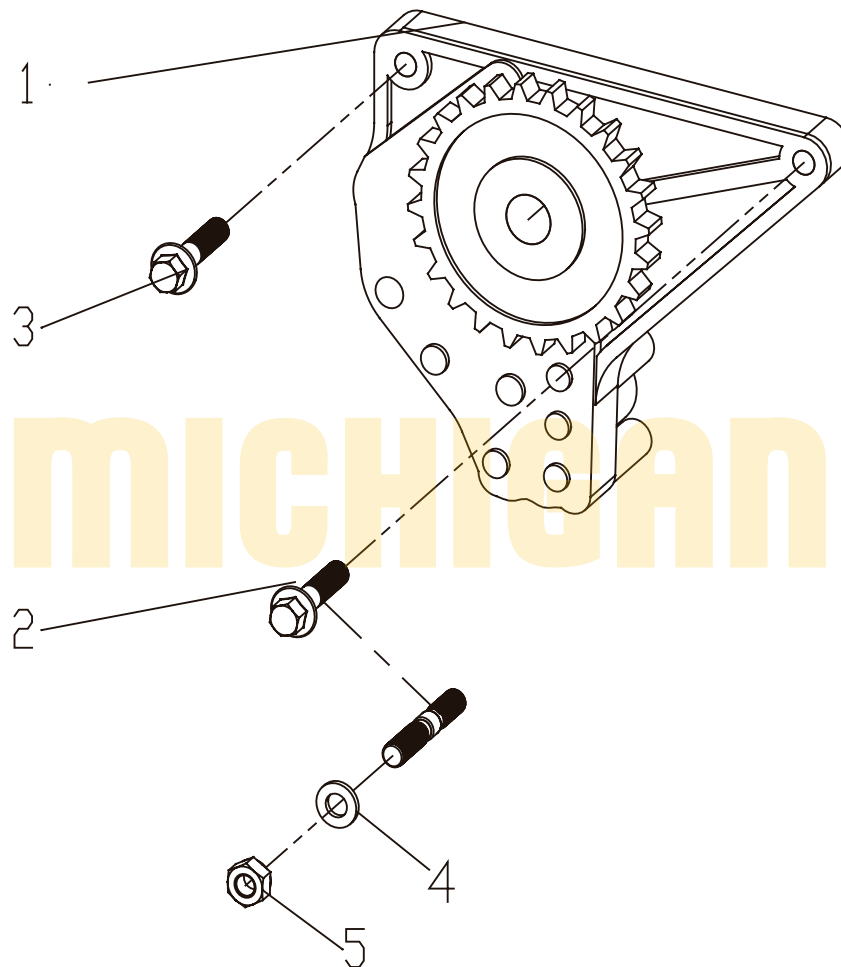


MICHIGAN

ROCKER ARM BRACKET ASSEMBLY

Pos	Teile.number	(Stk.)		DIN/Fremdfabr.Nr.	Denomination	Designation
		DHB06G0131	DHB06G0132			
1	12159630	6	6			ROCKER ARM BRACKET
2	12165314	24	24			SPRIG LOCK WASHER
3	1107724	12	12	Q43116		CIRCLIPS
4	12159194	12	12			PUSHROD
5	12273399	12	12			TAPPE
6	13037791	12	12			
7	12159522	12	12			ADJUSTING SCREW
8	12159526	12	12			HEXAGON NUT
9	1116947	12	12	3 GB308		BALL

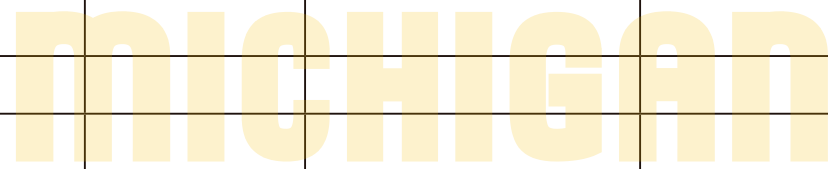
OIL PUMP ASSEMBLY



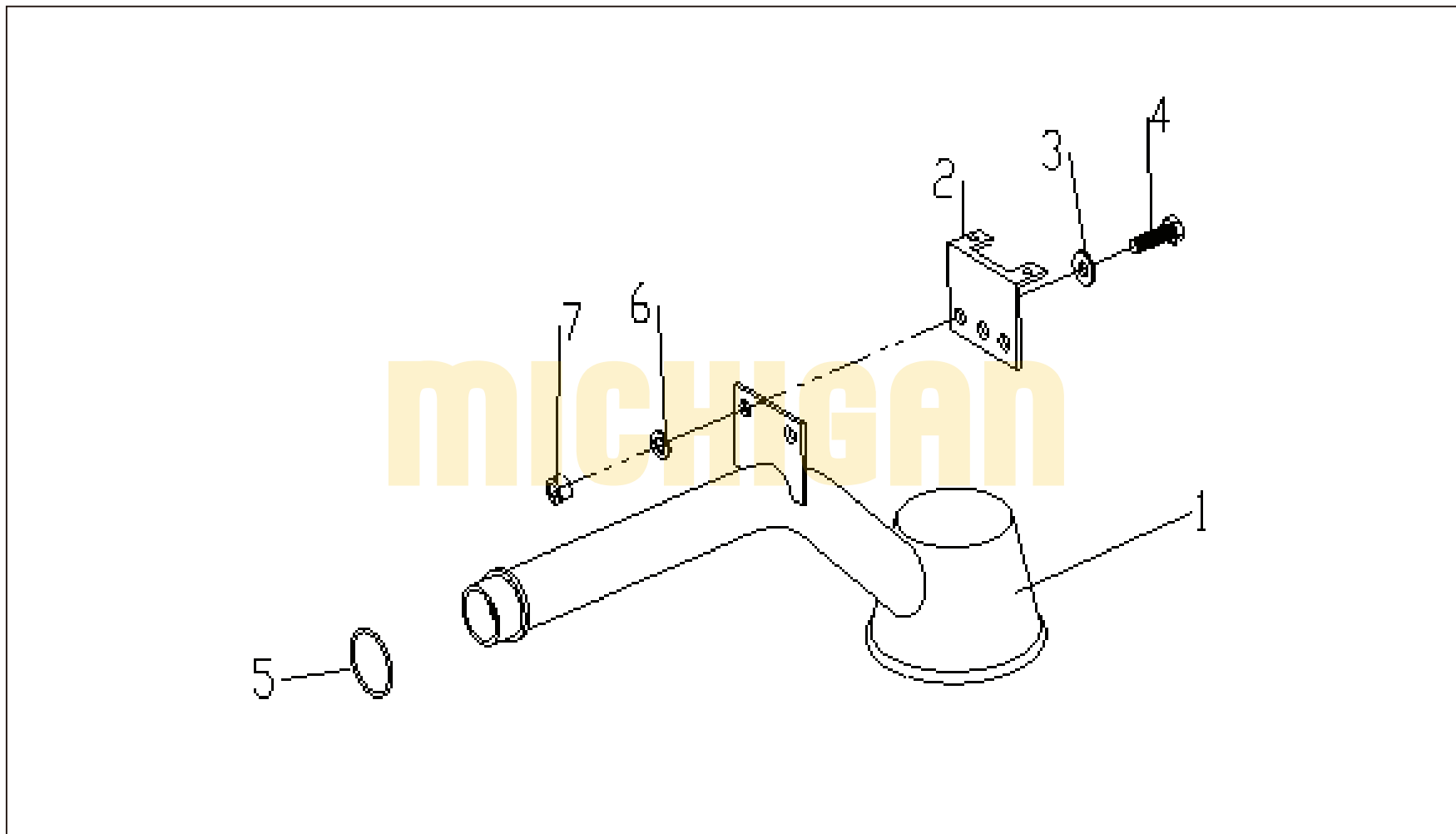


OIL PUMP ASSEMBLY

Pos	Teile.number	ENGINE Typ. (Stk.)		DIN/Fremdfabr.Nr.	Denomination	Designation
		DHB06G0131	DHB06G0132			
1	12159765	1	1			OIL FEED PUMP
2	1156339	1	1	AM8*35-12.9H2009		LOCKING SCREW
3	1157293	1	1	AM8*22-12.9H2010		LOCKING SCREW
4	12159468	1	1			PLAIN WASHER
5	12151228	1	1	HC-M8		NUT



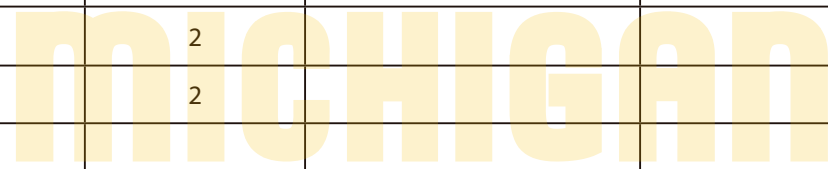
LUBRICAT.OIL LINE ASSEMBLY



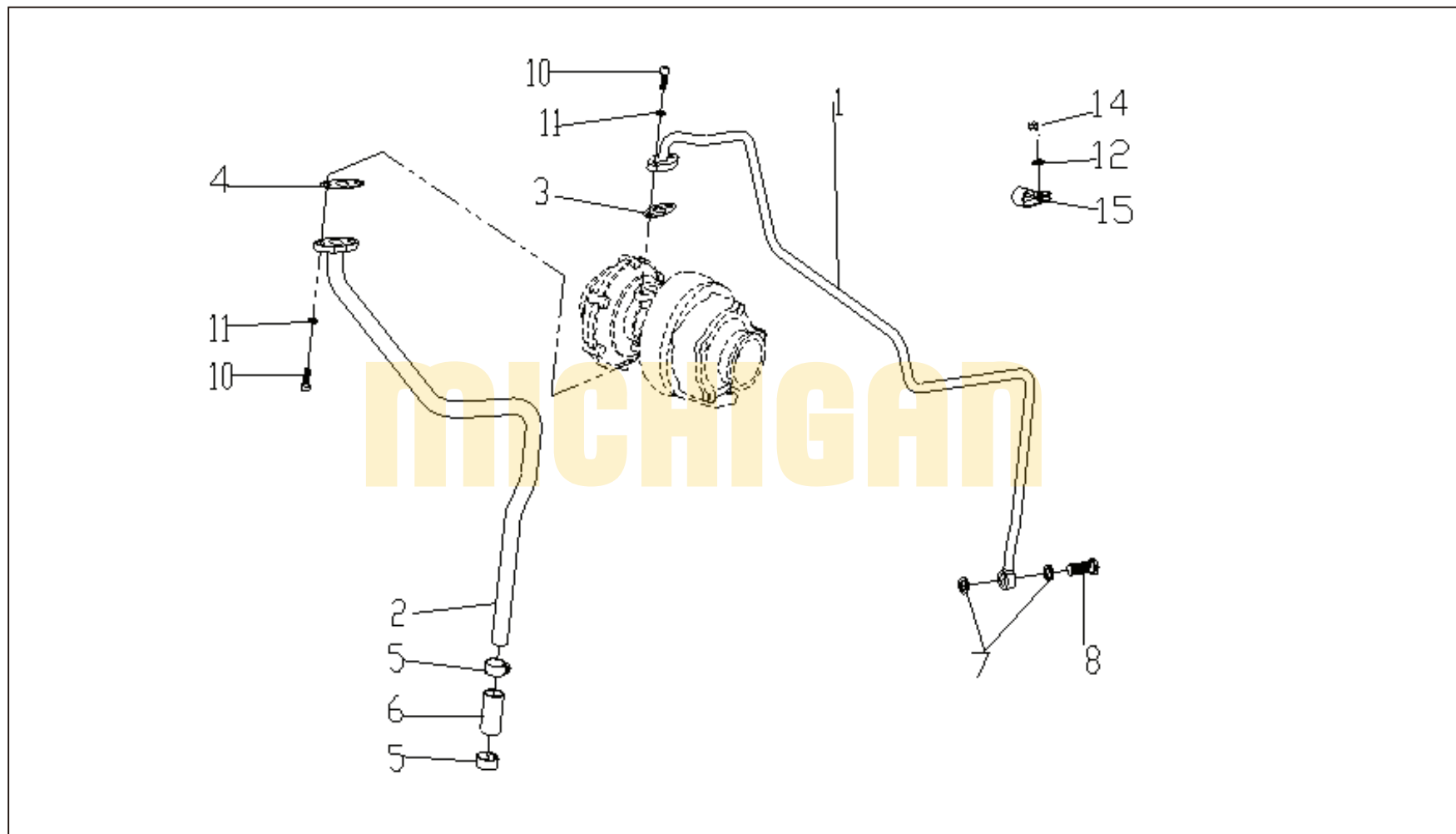


LUBRICAT.OIL LINE ASSEMBLY

Pos	Teile.number	ENGINE Typ. (Stk.)		DIN/Fremdfabr.Nr.	Denomination	Designation
		DHB06G0131	DHB06G0132			
1	13020429	1	1			LUBRICAT.OIL LINE ASSEMBLY
2	13033056	1	1			ANGLE PLATE
3	2404201	2	2			PLAIN WASHER
4	1137083	2	2			HEXAGON BOLT
5	1153874	1	1			O-SEAL
6	90014230004	2	2			SPRING LOCK WASHER
7	90012630006	2	2			HEXAGON NUT



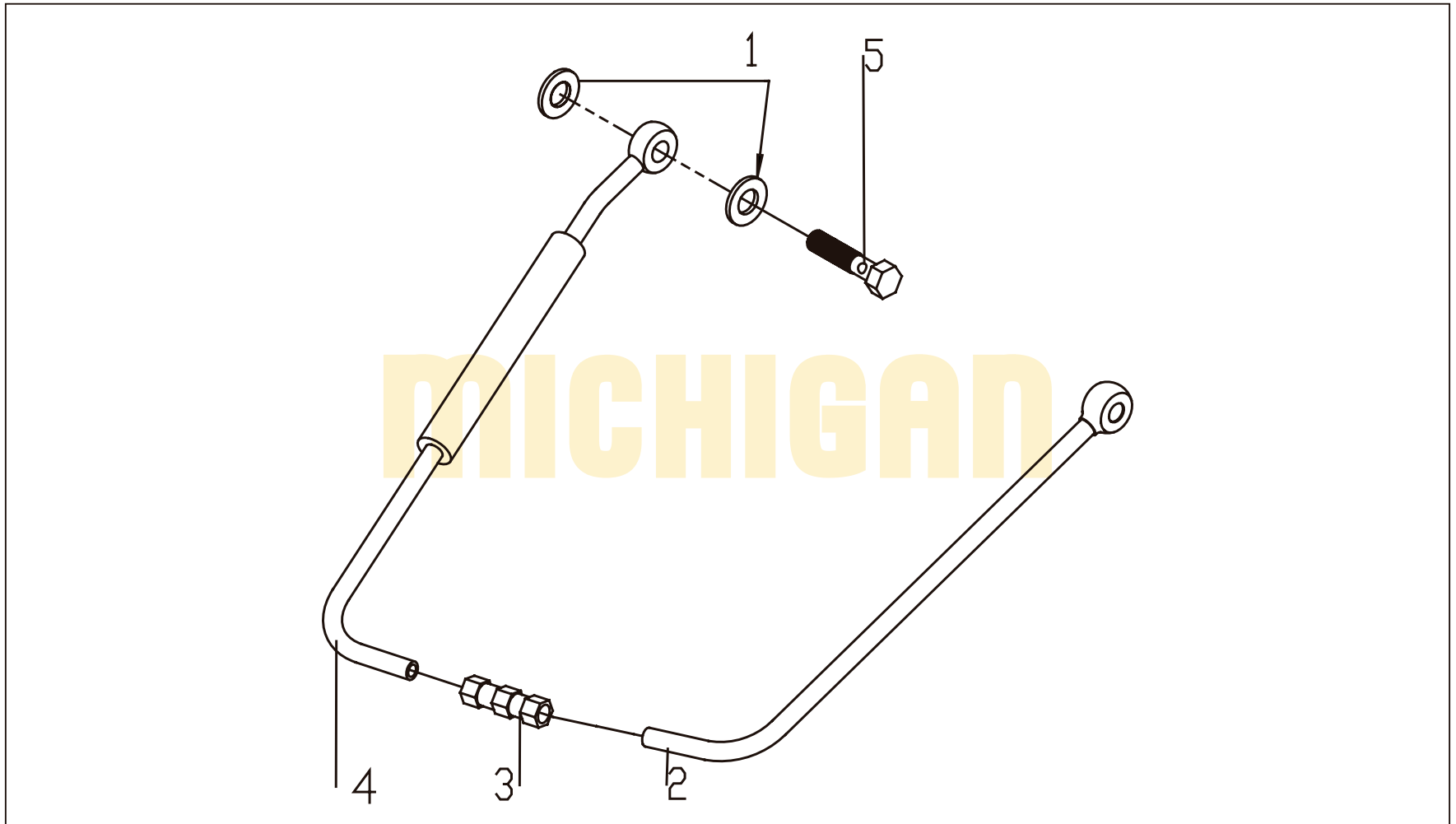
OIL SUCTION LINE ASSEMBLY



OIL SUCTION LINE ASSEMBLY

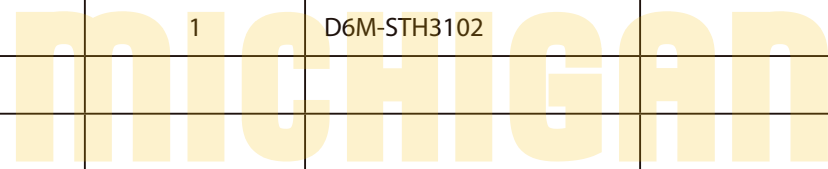
Pos	Teile.number	ENGINE Typ. (Stk.)		DIN/Fremdfabr.Nr.	Denomination	Designation
		DHB06G0131	DHB06G0132			
1	13037871	1	1			LUBRICAT. OIL LINE
2	13025122	1	1			LUBRICAT. OIL LINE
3	12161797	1	1			PLAIN WASHER
4	12161798	1	1			PLAIN WASHER
5	12151665	2	2	Q67535		PIPE CLAMP
6	13026005	1	1			TUBE
7	13023361	2	2	16JB982		SEALING RING
8	13036073	1	1			HOLLOW SCREW
10	1110571	4	4	M8*25-12.9GB70		CHESS HEAD SCREW
11	1177981	4	4	Q40308		SPRING LOCK WASHER

OIL SUCTION LINE ASSEMBLY

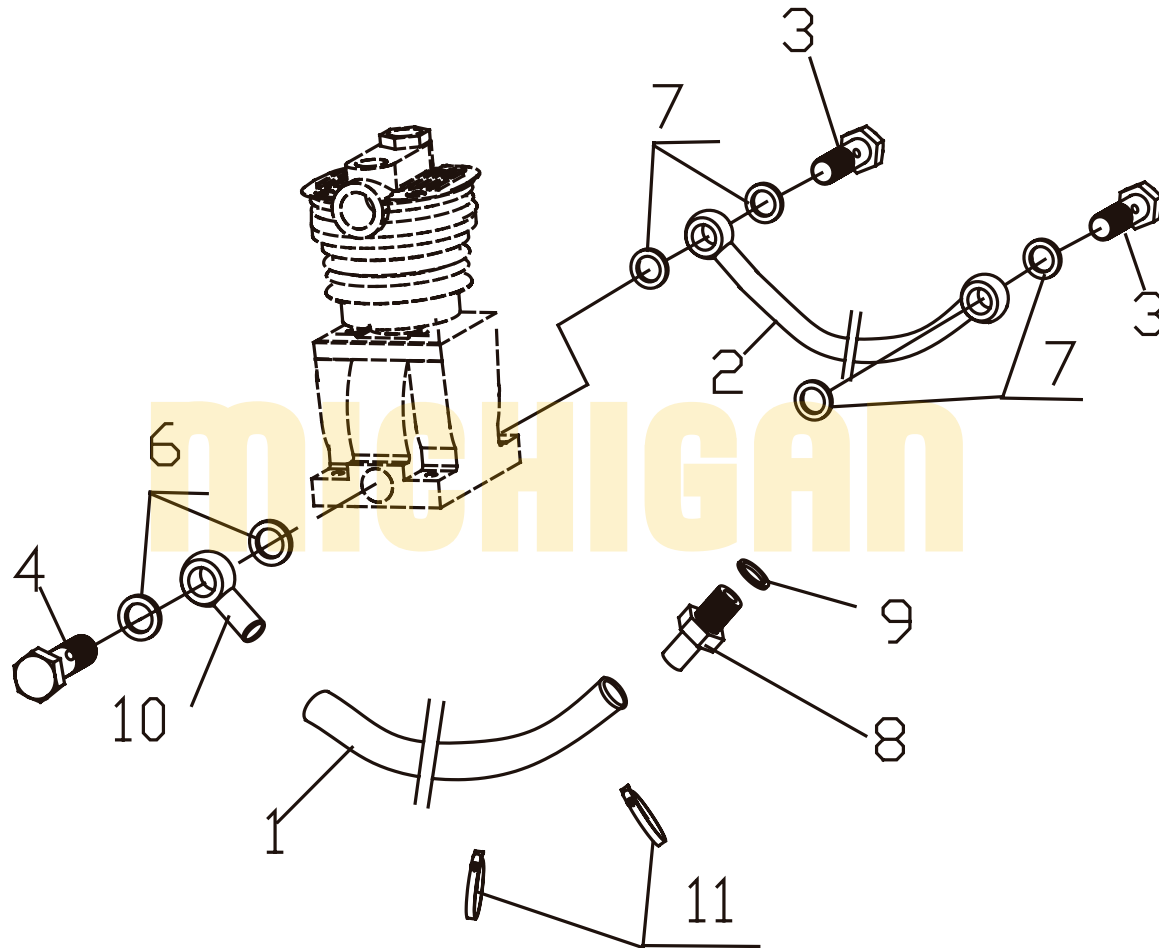


OIL SUCTION LINE ASSEMBLY

Pos	Teile.number	ENGINE Typ. (Stk.)		DIN/Fremdfabr.Nr.	Denomination	Designation
		DHB06G0131	DHB06G0132			
1	13023361	2	2	10JB982		SEALING RING
2	13026005	1	1			LUBRICAT. OIL LINE
3	1179509	--	1			THREDED JOINT
3	13021772	1	--			THREDED JOINT
4	12187856	1	1			LUBRICAT.OIL LINE
5	1153236	1	1	D6M-STH3102		HOLLOW SCREW



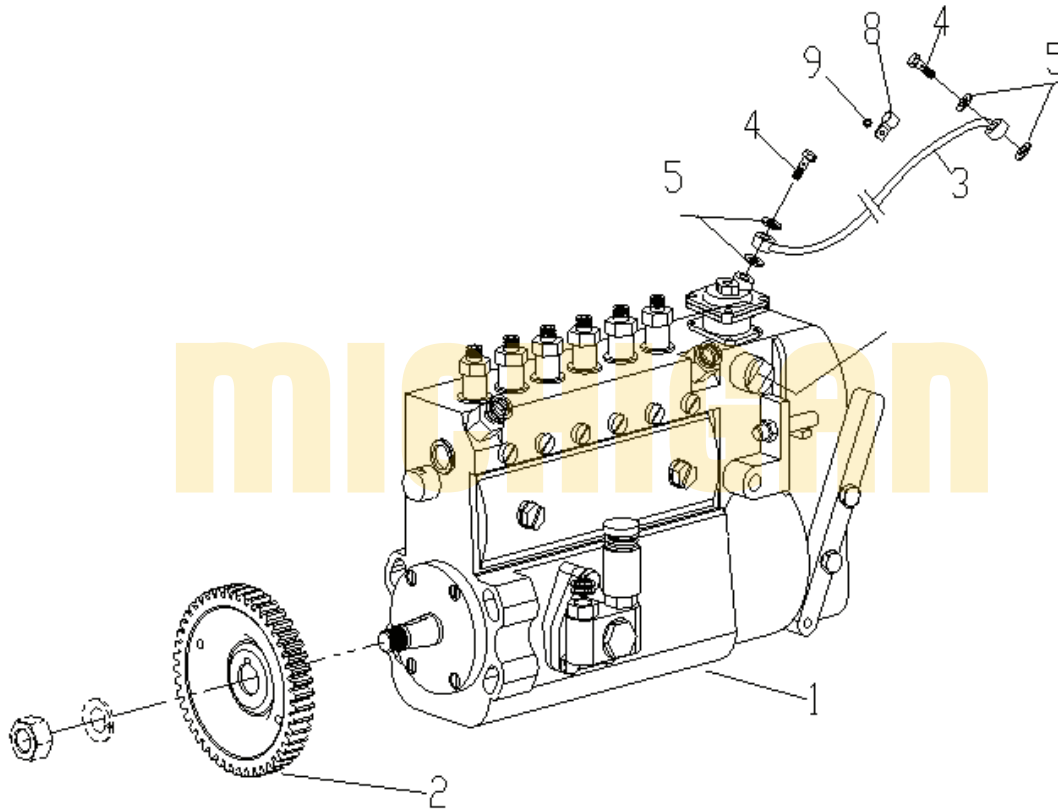
OIL SUCTION LINE ASSEMBLY



OIL SUCTION LINE ASSEMBLY

Pos	Teile.number	ENGINE Typ. (Stk.)		DIN/Fremdfabr.Nr.	Denomination	Designation
		DHB06G0131	DHB06G0132			
1	13039985	1	1			LEAK OFF LINE
2	13022734	1	1			LUBRICAT OIL LINE
3	13020915	2	2			HOLLOW SCREW
4	1119250	1	1	D15M-STH3102		HOLLOW SCREW
6	13023362	1	1	18JB982		SEALING RING
7	13023358	1	1	10JB982		SEALING RING
8	12200730	1	1			THREDED JOINT
9	13023360	1	1	14JB982		SEALING RING
10	13020443	1	1			THREDED JOINT
11	12151665	2	2	Q67535		PIPE CLIP

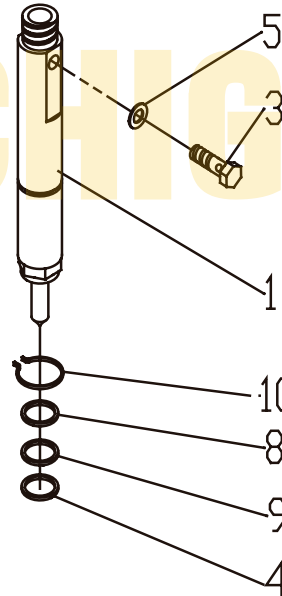
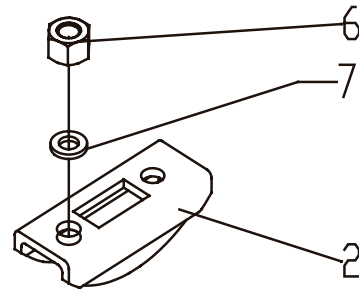
FUEL INJECTION PUMP ASSEMBLY



FUEL INJECTION PUMP ASSEMBLY

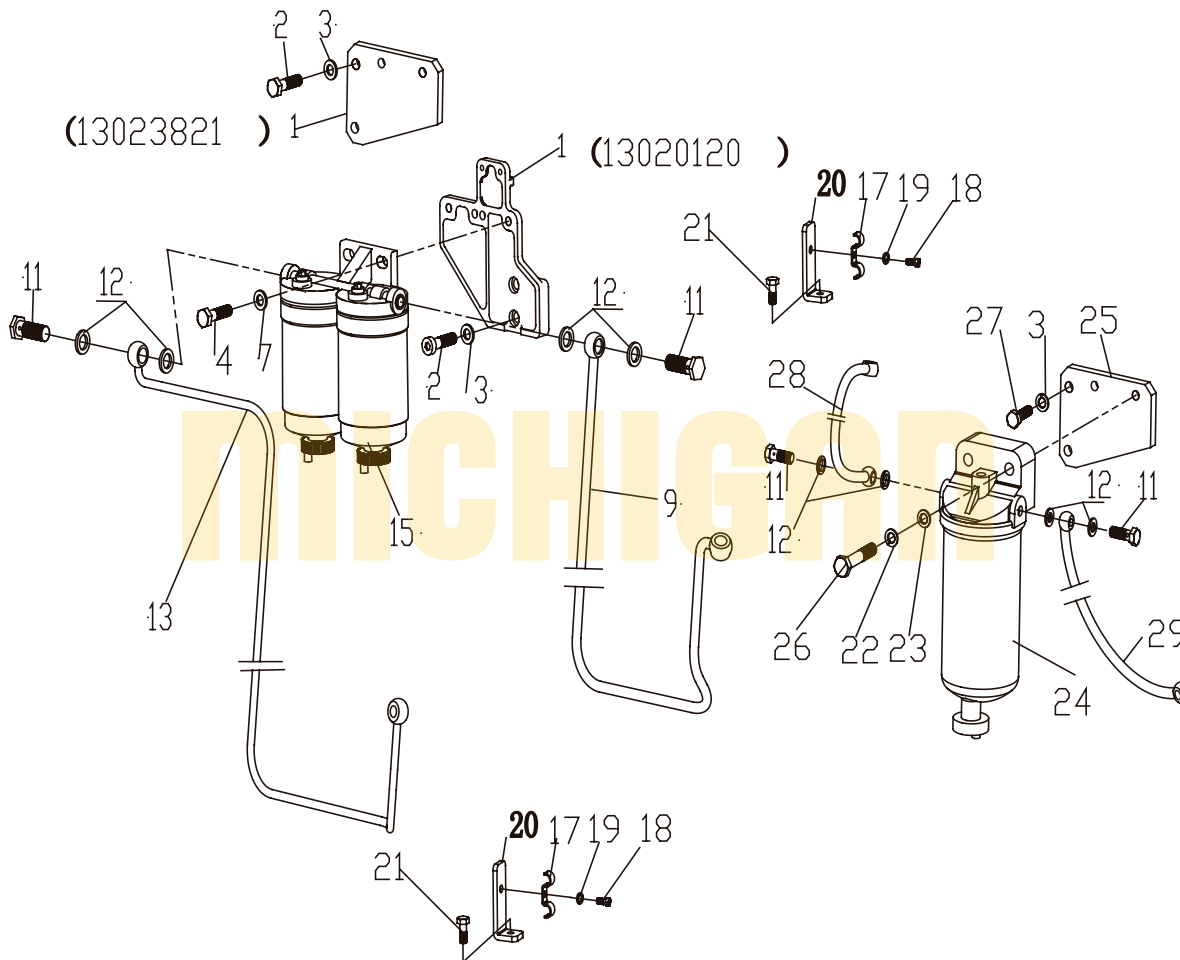
Pos	Teile.number	ENGINE Typ. (Stk.)		DIN/Fremdfabr.Nr.	Denomination	Designation
		DHB06G0131	DHB06G0132			
1	13053063	1				FUEL INJECT.PUMP
	13053061		1			FUEL INJECT.PUMP
2	13023016	--	1			SPUR GEAR
3	13029301	1	1			HOLLOW PIPE
4	1119238	1	1	D8M-STH3102		HOLLOW SCREW
5	612600050042	4	4	12JB982		SEALING RING
8	1173401	1	1			CLIP
9	12167427	1	1			PLAIN WASHER

FUEL INJECTOR ASSEMBLY



MICHIGAN

FUEL FILTER ASSEMBLY



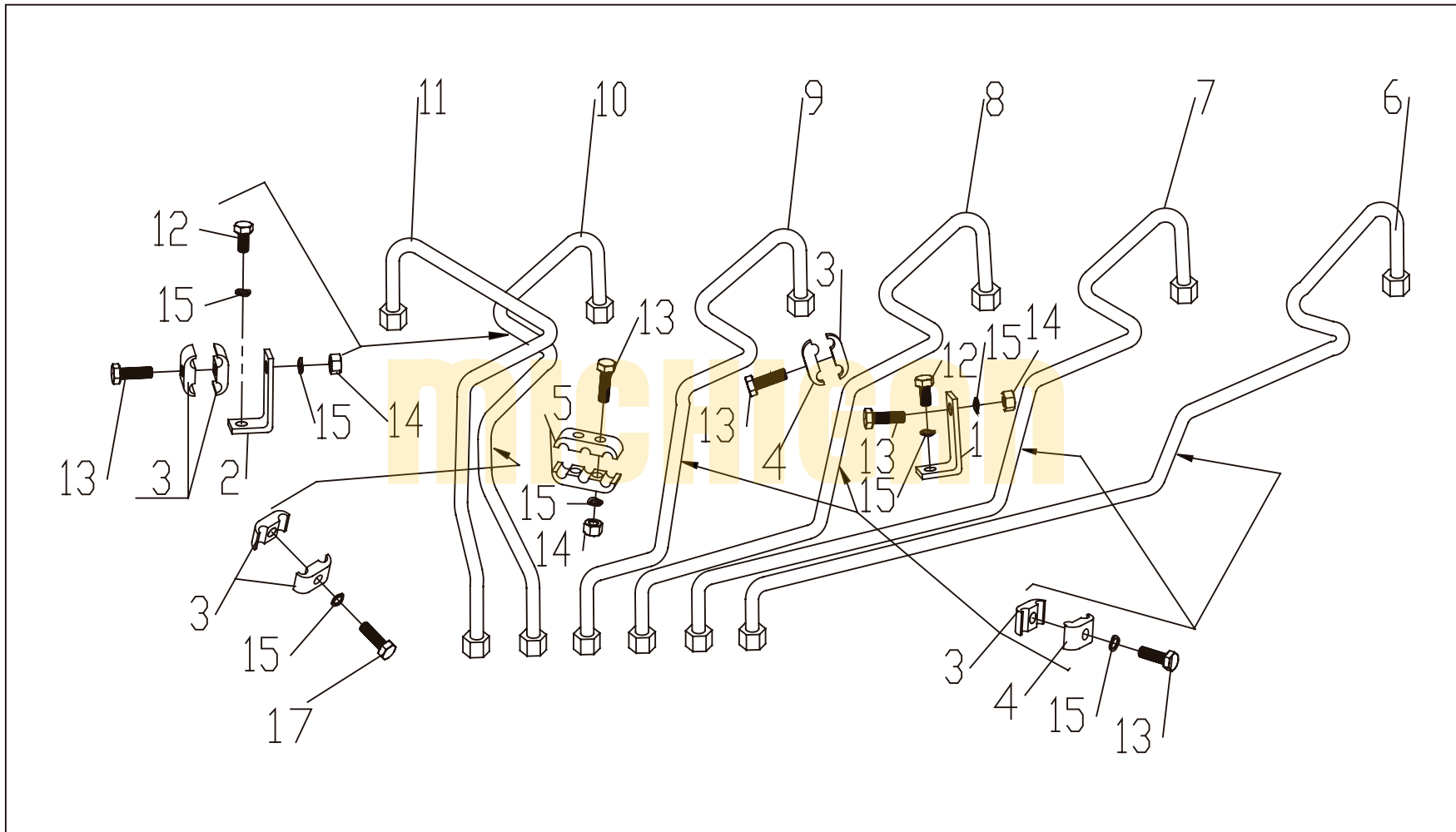
FUEL FILTER ASSEMBLY

Pos	Teile.number	ENGINE Typ. (Stk.)		DIN/Fremdfabr.Nr.	Denomination	Designation
		DHB06G0131	DHB06G0132			
1	12189915	1	1			BRACKET
2	1110560	2	2	M8*20-12.9GB70		CHEESE HEAD SCREW
3	01177981	2	2	Q40308		SPRING LOCK WASHER
4	1112416	2	2	Q150B1025		HEXAGON BOLT
7	1107284	2	2	Q418B10		SPRING WASHER
9	13023278	1	1			PIPE
11	13032649	2	2	D10M-STH3102		HOLLOW SCREW
12	612600080200	8	8	14JB982		SEALING RING
13	13023279	1	1			PIPE
15	12189882	1	1			FUEL FILTER
17	13023280	2	2			CLIP
18	13021976	2	2	M5*10-8.8GB29.1-8.8		HEXAGON BOLT
19	12167427	2	2			PLAIN WASHER
20	13023281	2	2			BRACKET
21	1112405	2	2	Q150B1020		HEXAGON BOLT

FUEL FILTER ASSEMBLY

Pos	Teile.number	ENGINE Typ. (Stk.)		DIN/Fremdfabr.Nr.	Denomination	Designation
		DHB06G0131	DHB06G0132			
22	1178365	2	2	Q40310		SPRING LOCK WASHER
23	1152752	2	2	Q40110		PLAIN WASHER
24	13022658	1	1			FUEL FILTER
25	13024778	1	1			BRACKET
26	1111297	2	2	Q150B1045		HEXAGON BOLT
27	1137083	2	2	Q150B0820		HEXAGON BOLT
28	13025937	1	1			OIL PIPE
29	13022793	--	--			OIL PIPE

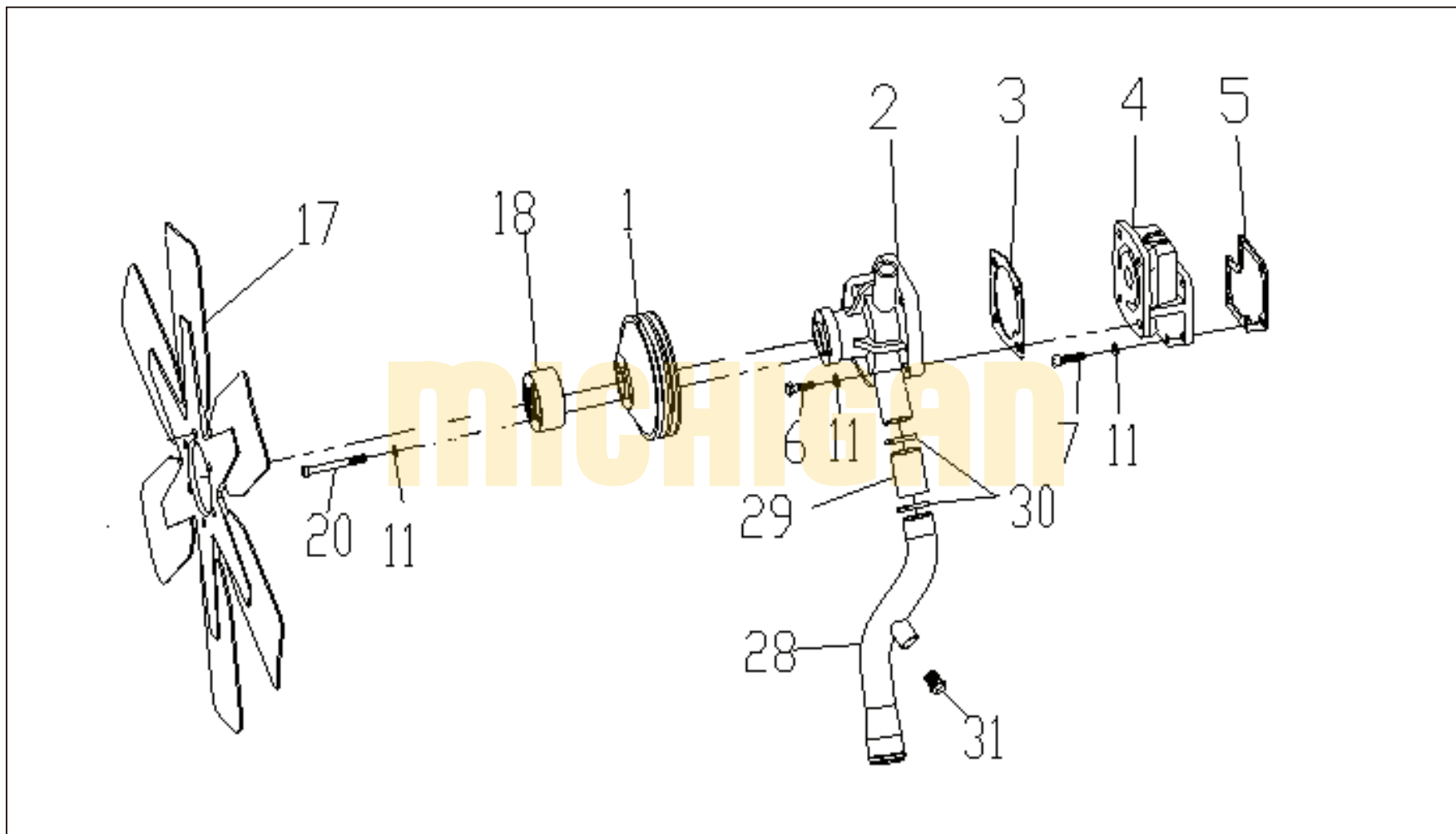
HIGH PRESSURE PIPE ASSEMBLY



HIGH PRESSURE PIPE ASSEMBLY

Pos	Teile.number	ENGINE Typ. (Stk.)		DIN/Fremdfabr.Nr.	Denomination	Designation
		DHB06G0131	DHB06G0132			
1	12272777	1	1			ANGLE PLATE
2	12272776	4	4			ANGLE PLATE
3	12165346	14	14			HALF-CLIP
4	12166451	8	8			HALF-CLIP
5	12158443	2	2			HALF-CLIP
6	13030240	1	1			HIGH PRESSURE PIPE
7		1	1			HIGH PRESSURE PIPE
8		1	1			HIGH PRESSURE PIPE
9		1	1			HIGH PRESSURE PIPE
10		1	1			HIGH PRESSURE PIPE
11		1	1			HIGH PRESSURE PIPE
12	1112238	5	5	Q150B0612		HEXAGON BOLT
13	1112267	12	12	Q150B0625		HEXAGON BOLT
14	1152783	8	8	Q360B06		HEXAGON NUT
15	1107279	18	18	Q41806		SPRING WASSHER
17	1112271	1	1	Q150B0630		HEXAGON BOLT
18	13025516	1	1	Q150B0630		HEXAGON BOLT

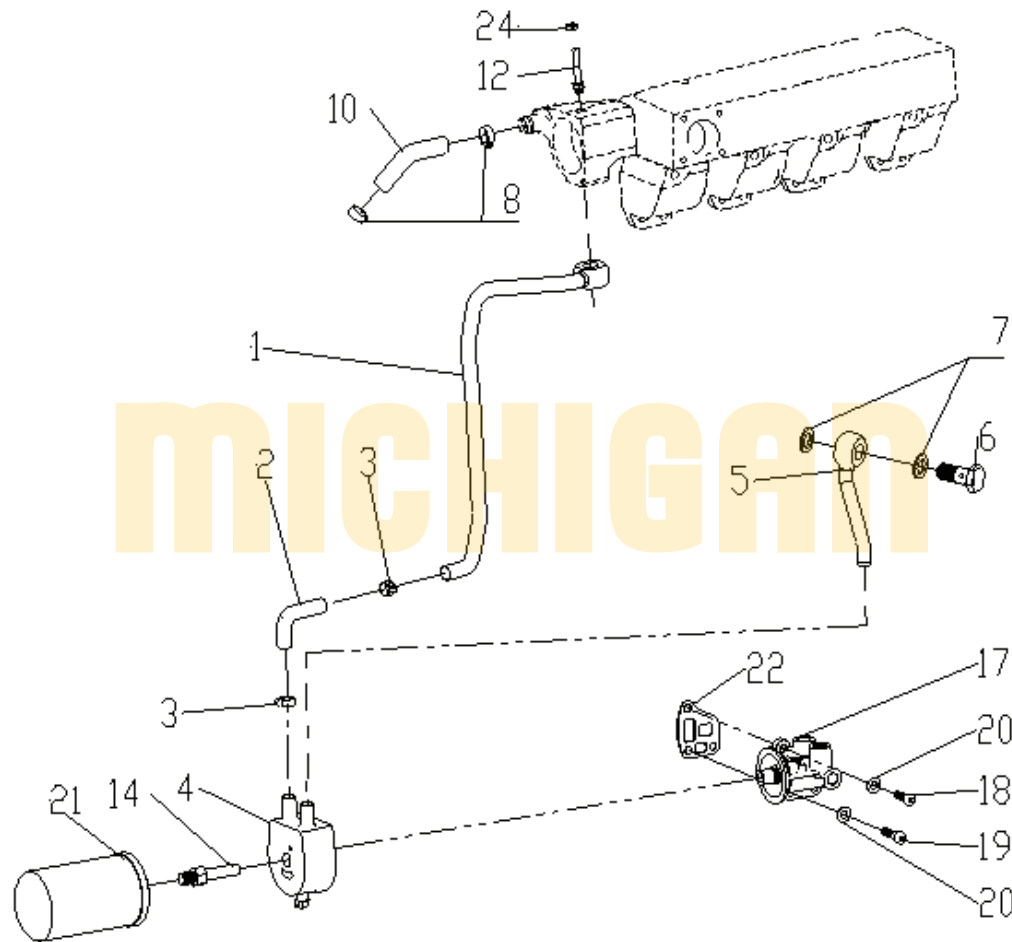
ADAPTER ASSEMBLY



ADAPTER ASSEMBLY

Pos	Teile.number	ENGINE Typ. (Stk.)		DIN/Fremdfabr.Nr.	Denomination	Designation
		DHB06G0131	DHB06G0132			
1	13033563	1	1			V-GROOVED PULLEY
2	12159770	1	1			CENTRIFUGAL PUMP
3	12200650	1	1			PUMP GASKET
5	12158513	1	1			PUMP GASKET
6	1139584	5	5	Q150B0835		HEXAGON BOLT
7	1112331	6	6	Q150B0825		HEXAGON BOLT
11	1177981	13	13	Q40308		SPRING LOCK WASHER
17	13021190	1	1	--		FAN
20	13021442	4	4	M8*85-12.9GB70		CHEESE HEAD SCREW
29	13032793	1	1			TUBE
30	1137413	3	3			PIPE CLAMP
31	13020947	1	1	NPT3/8		SCREW PLUG

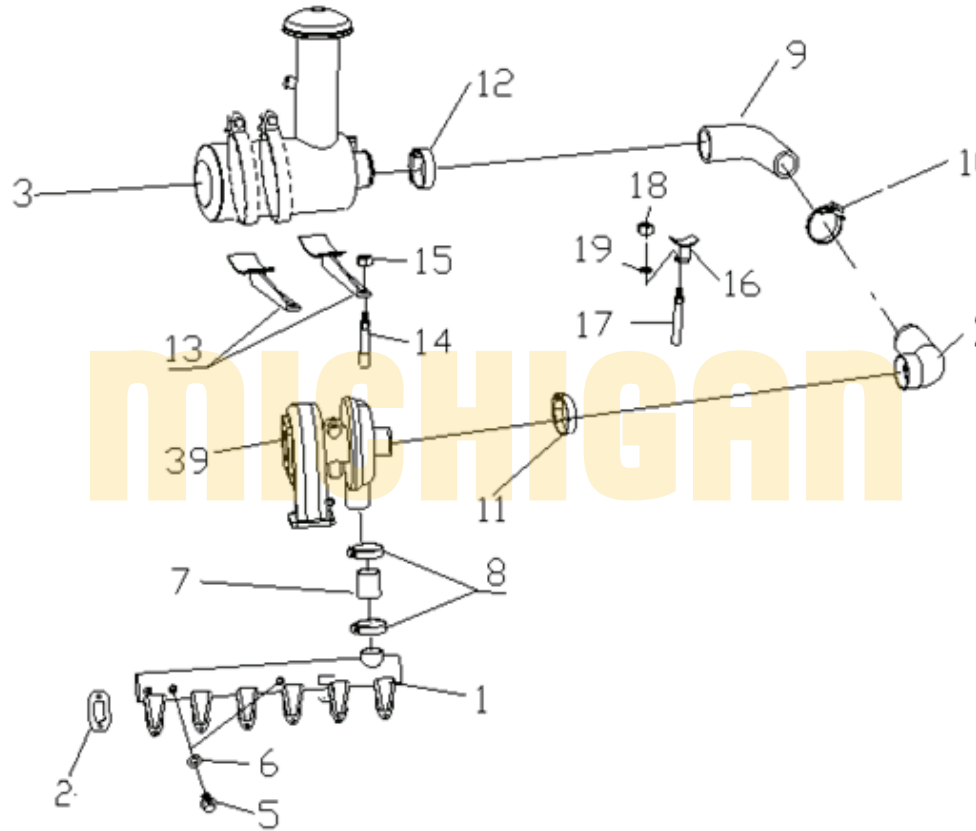
COOLING SYSTEM



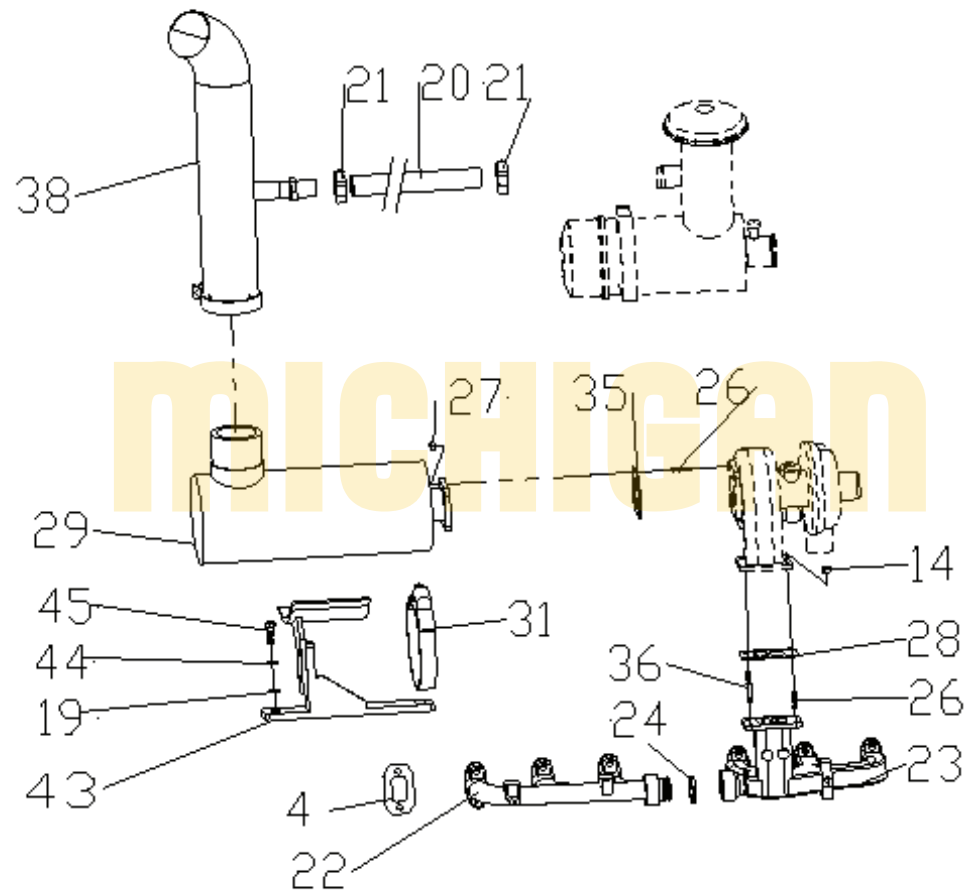
COOLING SYSTEM

Pos	Teile.number	ENGINE Typ. (Stk.)		DIN/Fremdfabr.Nr.	Denomination	Designation
		DHB06G0131	DHB06G0132			
1-3	13035193	1	1			COOLING WATER LINE
5	13054758	1	1			COOLING WATER LINE
6	13033424	1	1	D18M-STH3102		HOLLOW SCREW
7	13034050	2	2	22JB982		SEALING RIING
8	1177986	2	2	AL25-40-W1-2DIN3017		CLIP
10	13034046	--	1			SYPHON
10	13032794	1	--			SYPHON
12	13027409	--	1			TUBE TIE-IN
14	13024129	1	1			CONNECT BREECHBLOCK
17	13024998	1	1			FILTED HEAD
18	1136431	1	1	Q218B1030		CHEESE HEAD SCREW
19	1139277	1	1	Q218B1040		CHEESE HEAD SCREW
20	1107284	3	3	Q41810		SPRING WASSHER
21	1174415	1	1			SPIN-ON FILTER
	1174421	1	1			SPIN-ON FILTER
22	12270878	1	1			SEALING RIING
24	612600080246	1	1			CLIP

INTAKE AND EXHAUST PIPE ASSEMBLY



INTAKE AND EXHAUST PIPE ASSEMBLY



INTAKE AND EXHAUST PIPE ASSEMBLY

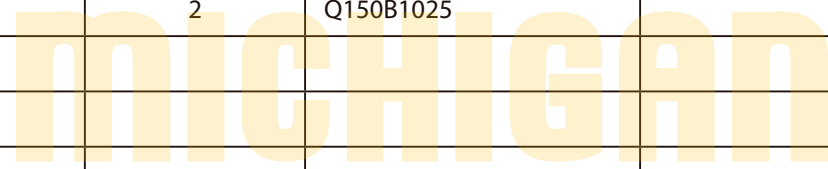
Pos	Teile.number	ENGINE Typ. (Stk.)		DIN/Fremdfabr.Nr.	Denomination	Designation
		DHB06G0131	DHB06G0132			
1	13034462	1	1			INTAKE MANIFOLD
2	12272783	1	1			GASKET
3	13026173	1	1			AIR FILTER
4	12161833	6	6			
5	1125789	2	2	M20*1.5-5.8DIN910		SCREW PLUG
6	1118727	2	2	A20*24-Cu DIN7603		SEALING RING
7	1175634	1	1			TUBING
8	1133878	2	2	Q67560		HOSE CLIP
9	13026171	1	1			SYPHON ASSEMBLY
10	13021246	1	1			
11	12151677	1	1	Q67590		HOSE CLIP
12	13021568	1	1	Q675120		HOSE CLIP
13	13022519	2	2			BRACKET
14	13020714	4	4			HEXAGON BOLT
15	1112861	4	4	Q360B12		HEXAGON NUT
16	13050258	1	1			BRACKET

INTAKE AND EXHAUST PIPE ASSEMBLY

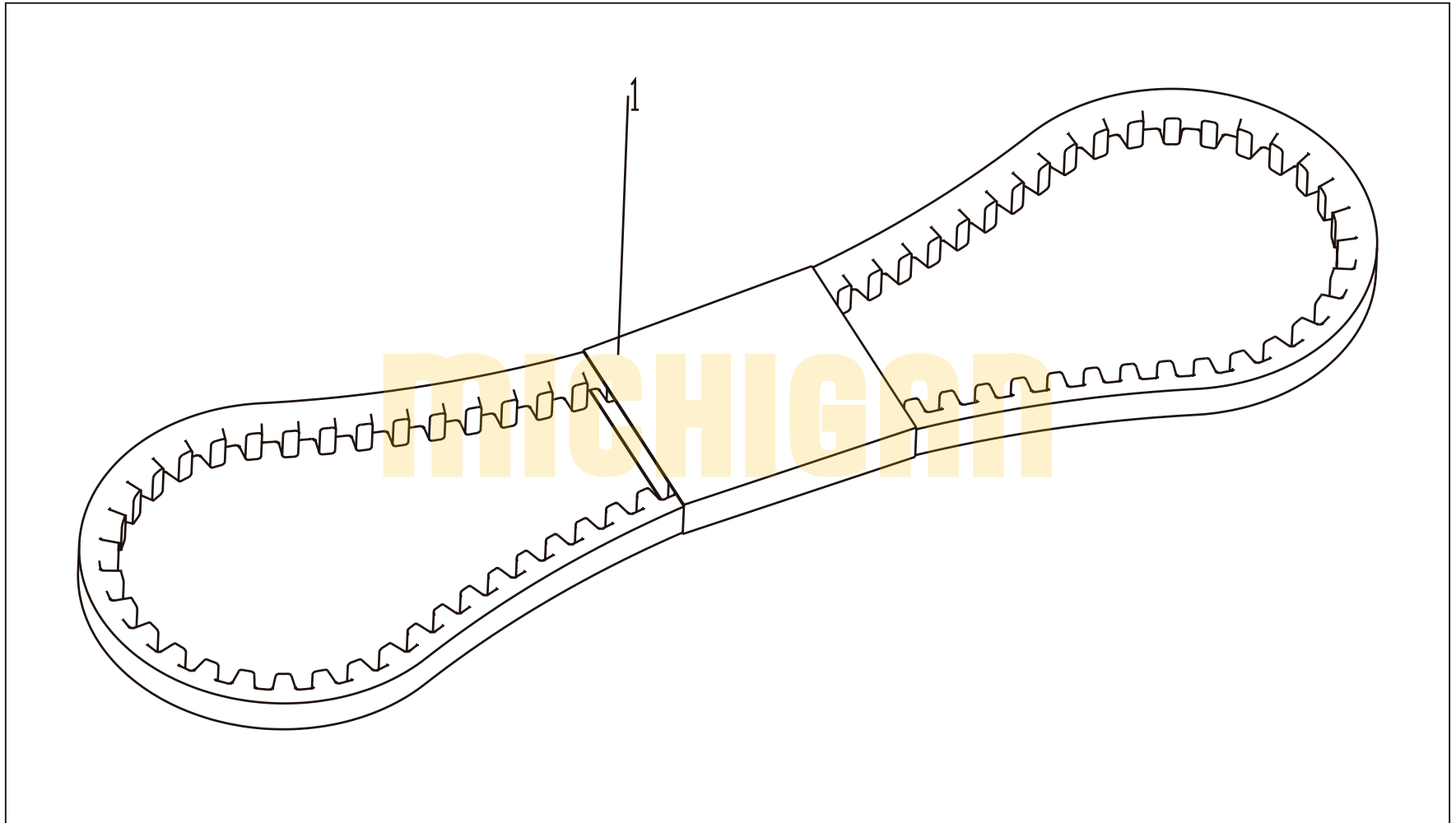
Pos	Teile.number	ENGINE Typ. (Stk.)		DIN/Fremdfabr.Nr.	Denomination	Designation
		DHB06G0131	DHB06G0132			
17	13022462	1	1			HEXAGON BOLT
18	1139401	1	1	Q360B10		HEXAGON NUT
19	1178365	1	1	Q40310		SPRING LOCK WASHER
20	13031760	1	1			TUBING
21	1137413	2	2	Q67535		HOSE CLIP
22	13024004	1	1			EXHAUST PIPE
23	13034311	1	1			EXHAUST PIPE
24	12188619	4	4			SET OF SEALINGS
25	13022806	1	1			
26	1143285	1	1	M10*25-12.9GB898		STUD
27	1321459	4	4	Q33210		HEXAGON NUT
28	12161833	1	1			SEALING RING
29	13023179	1	1			SILENCER
31	13020720					CLIP CINCTURE
35	12161831					GASKET
36	1143285					STUD

INTAKE AND EXHAUST PIPE ASSEMBLY

Pos	Teile.number	ENGINE Typ. (Stk.)		DIN/Fremdfabr.Nr.	Denomination	Designation
		DHB06G0131	DHB06G0132			
38	13026172	1	1			EXHAUST GAS LEAD PIPE
-	13038512	1	--			TURBOCHARGER
39	13037015	--	1			TURBOCHARGER
43	13029283	1	1			BRACKET
44	1151002	2	2	Q40110		PLAIN WASHER
45	1151548	2	2	Q150B1025		HEXAGON BOLT

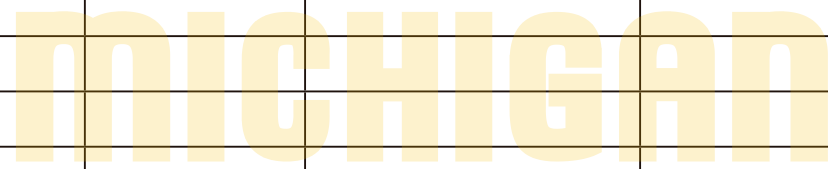


NARRON V-BELT ASSEMBLY

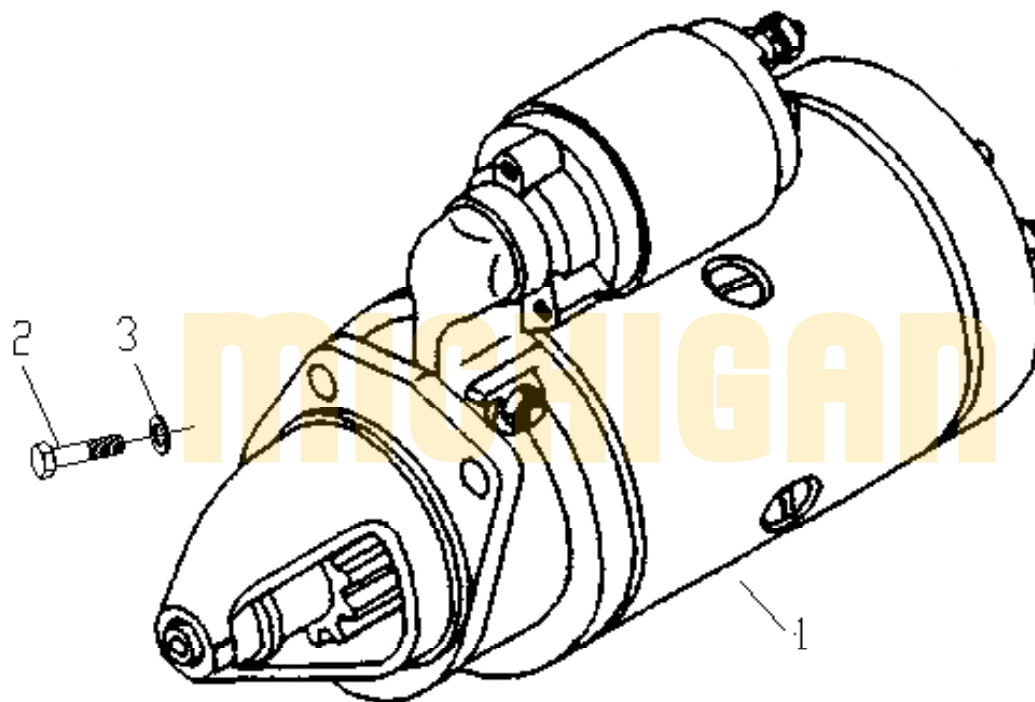


NARRON V-BELT ASSEMBLY

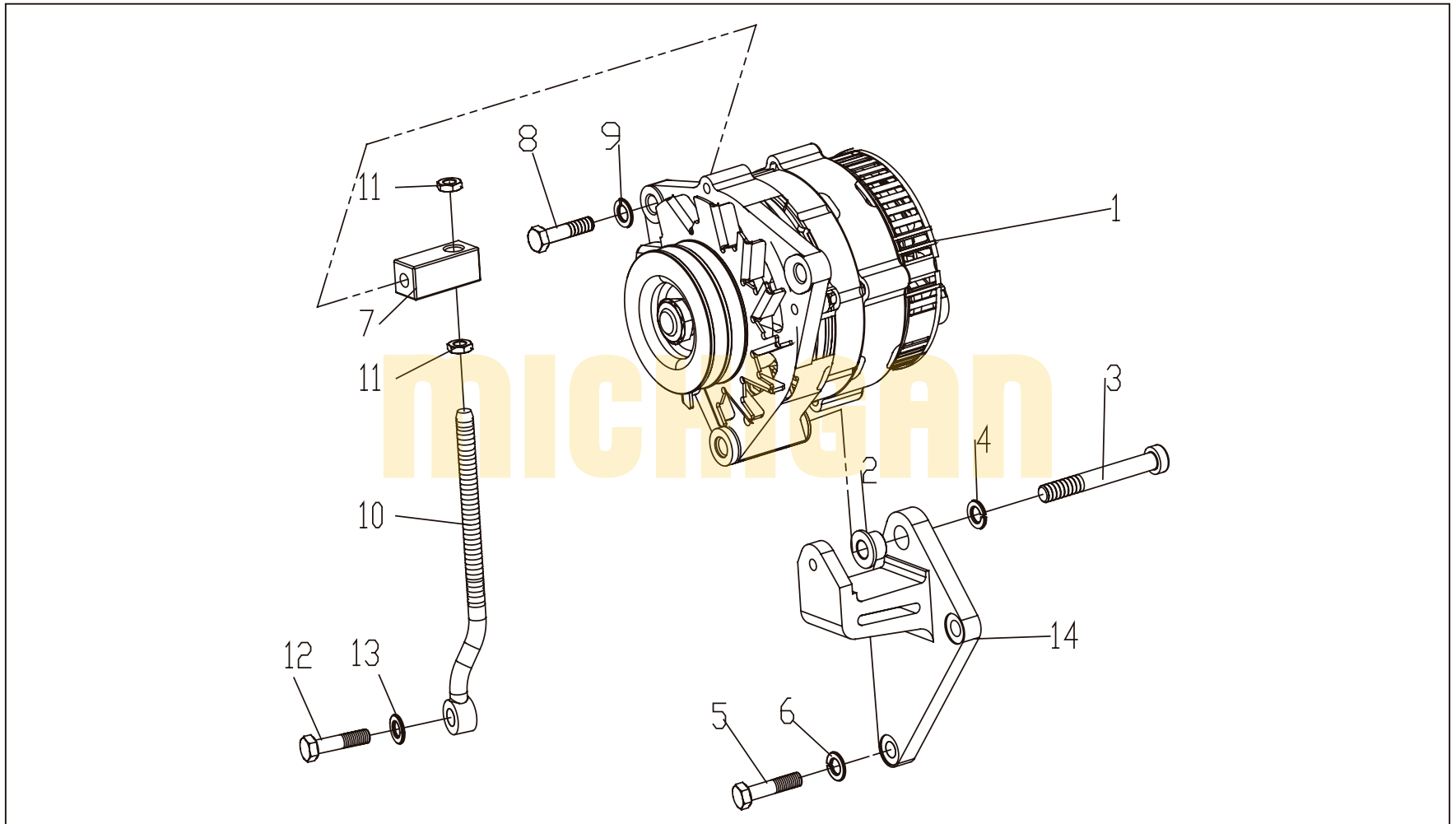
Pos	Teile.number	ENGINE Typ. (Stk.)		DIN/Fremdfabr.Nr.	Denomination	Designation
		DHB06G0131	DHB06G0132			
1	13023543	2	2			V-belt
	13033963	1	1			V-belt



STARTER ASSEMBLY



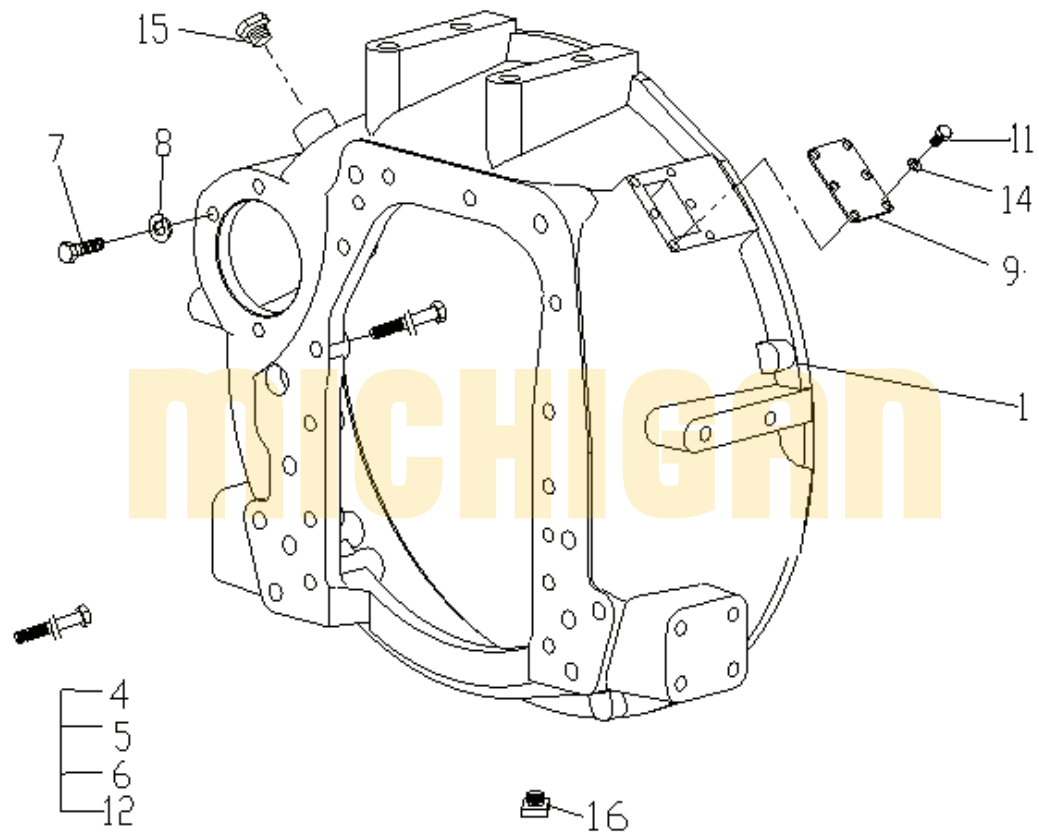
ALTERNATOR AND BRACKET ASSEMBLY



ALTERNATOR AND BRACKET ASSEMBLY

Pos	Teile.number	ENGINE Typ. (Stk.)		DIN/Fremdfabr.Nr.	Denomination	Designation
		DHB06G0131	DHB06G0132			
1	13024345	1	--			ALTERNATOR ASSEMBLY
2	13024352	1	1			SLEEVE
3	13024577	1	1	Q218B1080		CHEESE HEAD SCREW
4	1177981	1	1	Q40310		SPRING LOCK WASHER
5	1112331	1	1	Q150B0835		HEXAGON BOLT
6	1177981	1	1	Q40308		SPRING LOCK WASHER
7	13032791	1	1			BRACKET
8	1139338	1	1	M10*35-12.9GB5782		HEXAGON BOLT
9	1152752	1	1	Q40110		PLAIN WASHER
10	13025986	1	1			STRAIN
11	13022243	2	2			HEXAGON NUT
12	13025013	1	1	Q150B1030		HEXAGON BOLT
13	13024	1	1	Q40310		SPRING LOCK WASHER
14	13024344	1	1			BRACKET

FLYWHEEL HOUSING ASSEMBLY



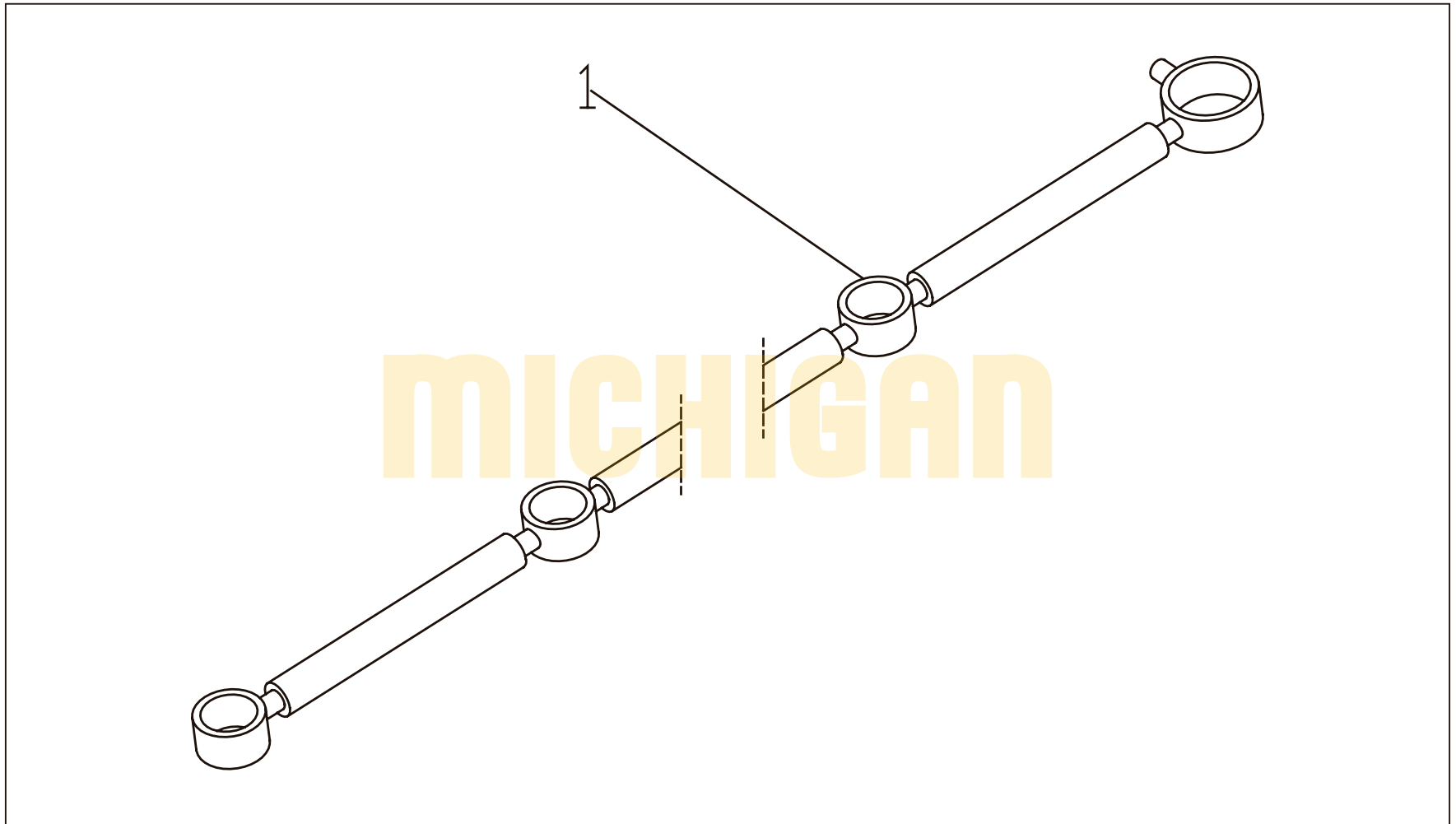
FLYWHEEL HOUSING ASSEMBLY

Pos	Teile.number	ENGINE Typ. (Stk.)		DIN/Fremdfabr.Nr.	Denomination	Designation
		DHB06G0131	DHB06G0132			
1	13035402	1	--			FLYWHEEL HOUSING
4	1139338	10	10	M10*35-12.9GB5782		HEXAGON BOLT
5	13022068	2	2	M10*85-12.9GB5782		HEXAGON BOLT
6	1112551	6	6	M12*45-12.9GB5782		HEXAGON BOLT
9	13021673	1	1			SHIELD
11	1112238	6	6	Q150B0612		HEXAGON BOLT
12	1178940	1	1	M12*80-12.9GB5782		HEXAGON BOLT
14	1178307	6	6	Q40306		SPRING LOCK WASHER
15	130 05	1	1	M18*1.5		HEXAGON BOLT
16	13022921	1	1			SQUARE TOES PLUG

AIR COMPRESSOR ASSEMBLY

Pos	Teile.number	ENGINE Typ. (Stk.)		DIN/Fremdfabr.Nr.	Denomination	Designation
		DHB06G0131	DHB06G0132			
1	13026014	1	1			AIR COMPRESSOR
2	13031840	1	1			SWELL PRESSING WHEEL ASSEMBLY
3	13033561	1	1			BRACKET
4	1110665	4	4	Q218B1035		CHEESE HEAD SCREW
5	1139584	1	1	Q150B0835		HEXAGON BOLT
6	1112829	1	1	Q340B08		HEXAGON NUT
7	13020864	1	1			SUPPORT BOARD
8	13023198	1	1			WASHER
9	1113391	1	1	Q1200825		DOUBLE-BOLT
10	1113472	1	1	Q1201030		DOUBLE-BOLT
12	1139401	1	1	Q360B10		HEXAGON NUT
13	12166173	1	1			PLAIN WASHER
14	1112682	1	1	M16*40 10.9GB578		HEXAGON BOLT
15	1177981	1	1	Q40308		SPRING LOCK WASHER
16	1022681	1	1	Q40316		SPRING LOCK WASHER
17	13021663	1	1			UNDERLAY BOARD

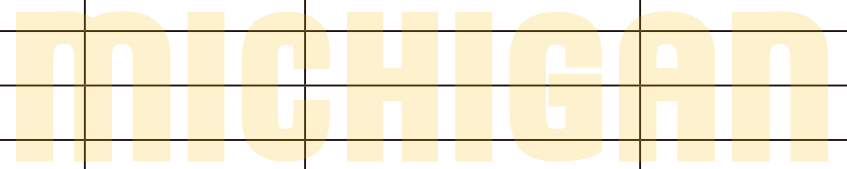
LEAK OFF LINE ASSEMBLY





LEAK OFF LINE ASSEMBLY

Pos	Teile.number	ENGINE Typ. (Stk.)		DIN/Fremdfabr.Nr.	Denomination	Designation
		DHB06G0131	DHB06G0132			
1	13022580	1	1			LEAK OFF LINE



CONTENTS

CRANKCASE ASSEMBLY	1
CRANKCASE ASSEMBLY	5
CRANKCASE ASSEMBLY	8
CRANKCASE ASSEMBLY	10
CRANKCASE ASSEMBLY	12
CRANKCASE ASSEMBLY	14
OIL PAN ASSEMBLY	16
CRANKSHAFT ASSEMBLY	18
CONNECTING ROD ASSEMBLY	20
PISTON ASSEMBLY	22
VALVE MECHAN COVER ASSEMBLY	24
CYLINDER HEAD ASSEMBLY	26
CAMSHAFT ASSEMBLY	29
ROCKER ARM BRACKET ASSEMBLY	31
LUBRICAT OIL PUMP ASSEMBLY	33
LUBRICAT OIL LINE ASSEMBLY	35
OIL SUCTION LINE ASSEMBLY	37
OIL SUCTION LINE ASSEMBLY	39
OIL SUCTION LINE ASSEMBLY	41
FUEL INJECTION PUMP ASSEMBLY	43
FUEL INJECTOR ASSEMBLY	45
FUEL FILTER ASSEMBLY	47



HIGH PRESSURE PIPE ASSEMBLY _____	50
ADAPTER ASSEMBLY _____	52
COOLING SYSTEM ASSEMBLY _____	54
INTAKE AND EXHAUST PIPE ASSEMBLY _____	56
NARROW V-BELT ASSEMBLY _____	61
STARTER ASSEMBLY _____	63
ALTERNATOR AND BRACKET ASSEMBLY _____	65
FLYWHEEL HOUSING ASSEMBLY _____	67
AIR COMPRESSOE ASSEMBLY _____	69
LEAK OFF LINE ASSEMBLY _____	71