

DESPIECE DE MOTOR

CARGADORA | R50CII



MICHIGAN[®]

Special items

| Item | Nombre de piezas | Códigos | Cant. | Observ. |
|------|--|----------------|-------|---------|
| 1 | Cylinder Head Machining parts | A4K41T-03100 | 1 | |
| 2 | Injector Yoke | A4K41T-03016 | 4 | |
| 3 | Injector binding bolt | A4K41T-03017 | 4 | |
| 4 | Fuel return pipe part between injection pump and delivery pump | A4K41T-25400 | 1 | |
| 5 | Piston | A4K39T-04001 | 4 | |
| 6 | High pressure fuel pipe assembly | A4K41T-23000 | 1 | |
| 7 | Injector assembly | A4K41T-22000 | 4 | |
| 8 | Con-rod part | A4K41T-04200 | 4 | |
| 9 | First ring | A4K39T-04002 | 4 | |
| 10 | Second ring | A4K39T-04003 | 4 | |
| 11 | Coil spring oil control ring | A4K39T-04100 | 4 | |
| 12 | Piston pin | A4K39T-04004 | 4 | |
| 13 | 38 Circlip used for hole | GB/TB93.1-1986 | 8 | |
| 14 | Nameplate | 4K39T-11008-3 | 1 | |
| 15 | Return pipe of injector | A4K41T-25002 | 3 | |
| 16 | Rubber sleeve of injector | A4K41T-25004 | 1 | |

Special Items

| Item | Nombre de piezas | Códigos | Cant. | Observ. |
|------|--|----------------|-------|---------|
| 1 | Cylinder Head Machining parts | A4K41T-03100 | 1 | |
| 2 | Injector Yoke | A4K41T-03016 | 4 | |
| 3 | Injector binding bolt | A4K41T-03017 | 4 | |
| 4 | Fuel return pipe part between injection pump and delivery pump | A4K41T-25400 | 1 | |
| 5 | Piston | A4K41T-04001 | 4 | |
| 6 | High pressure fuel pipe assembly | A4K41T-23000 | 1 | |
| 7 | Injector assembly | A4K41T-22000 | 4 | |
| 8 | Con-rod part | A4K41T-04200 | 4 | |
| 9 | First ring | A4K41T-04002 | 4 | |
| 10 | Second ring | A4K41T-04003 | 4 | |
| 11 | Coil spring oil control ring | A4K41T-04100 | 4 | |
| 12 | Piston pin | A4K41T-04004 | 4 | |
| 13 | Circlip used for hole | GB/TB93.1-1986 | 8 | |
| 14 | Nameplate | 4K39T-11008-3 | 1 | |
| 15 | Return pipe of injector | A4K41T-25002 | 3 | |
| 16 | Rubber sleeve of injector | A4K41T-25004 | 1 | |

Special Items

| Item | Nombre de piezas | Códigos | Cant. | Observ. |
|------|--|----------------|-------|---------|
| 1 | Cylinder Head Machining parts | A4K41T-03100 | 1 | |
| 2 | Injector Yoke | A4K41T-03016 | 4 | |
| 3 | Injector binding bolt | A4K41T-03017 | 4 | |
| 4 | Fuel return pipe part between injection pump and delivery pump | A4K41T-25400 | 1 | |
| 5 | Piston | A4K43T-04001 | 4 | |
| 6 | High pressure fuel pipe assembly | A4K41T-23000 | 1 | |
| 7 | Injector assembly | A4K41T-22000 | 4 | |
| 8 | Con-rod part | A4K41T-04200 | 4 | |
| 9 | First ring | A4K43T-04002 | 4 | |
| 10 | Second ring | A4K43T-04003 | 4 | |
| 11 | Coil spring oil control ring | A4K43T-04100 | 4 | |
| 12 | Piston pin | A4K43T-04004 | 4 | |
| 13 | Circlip used for hole | GB/TB93.1-1986 | 8 | |
| 14 | Nameplate | 4K39T-11008-3 | 1 | |
| 15 | Return pipe of injector | A4K41T-25002 | 3 | |
| 16 | Rubber sleeve of injector | A4K41T-25004 | 1 | |
| 17 | Intake valve | 4K39T-03015 | 4 | |
| 18 | Exhaust valve | 4K39T-03014 | 4 | |

Special Items

| Item | Nombre de piezas | Códigos | Cant. | Observ. |
|------|--|----------------|-------|---------|
| 1 | Main bearing (up) | 4K48T-01033 | 5 | |
| 2 | Main bearing (down) | 4K48T-01034 | 5 | |
| 3 | Thrust washer (up) | 4K48T-01022 | 2 | |
| 4 | Thrust washer (down) | 4K48T-01026 | 2 | |
| 5 | Crankshaft pulley | A4K41ZT -05001 | 1 | |
| 6 | Flywheel ring gear | A4K41ZT -05100 | 1 | |
| 7 | Oil dipstick tube welding part | A4K41ZT -07210 | 1 | |
| 8 | Oil gauge part | A4K41ZT -07220 | 1 | |
| 9 | Exhaust manifold | A4K41ZT -08002 | 1 | |
| 10 | Exhaust pipe | A4K41ZT -08001 | 1 | |
| 11 | Intake manifold | A4K41ZT -09003 | 1 | |
| 12 | Fiber sandwich rubber hose | A4K41ZT -09005 | 1 | |
| 13 | Fiber sandwich rubber hose | A4K41ZT -09007 | 1 | |
| 14 | Intake pipe | A4K41ZT -09002 | 1 | |
| 15 | Intake manifold | A4K41ZT -09006 | 1 | |
| 16 | Intake manifold pad | A4K41ZT -09004 | 1 | |
| 17 | Turbo | A4K41ZT-19001 | 1 | |
| 18 | Oil pipe part of turbo | A4K41ZT -19300 | 1 | |
| 19 | Return oil pipe connector | A4K41ZT -19004 | 1 | |
| 20 | (一) Intake pipe support(一) | A4K41ZT -09008 | 1 | |
| 21 | (二) Intake pipe support(二) | A4K41ZT -09009 | 1 | |
| 22 | Crankshaft | A4K41ZT-05003 | 1 | |
| 23 | Injector assembly | A4K41ZT-22000 | 4 | |
| 24 | Injection pump assembly | A4K41ZT-21000 | 1 | |
| 25 | Fuel return pipe part between injection pump and delivery pump | A4K41ZT -25300 | 1 | |
| 26 | Return oil pipe part of injector | A4K41ZT-25100 | 1 | |
| 27 | Piston injector part | A4K41ZT -01200 | 4 | |

Special Items

| Item | Nombre de piezas | Códigos | Cant. | Observ. |
|------|-------------------------------|-----------------|-------|---------|
| 28 | Joint bolt assembly | A4K41ZT-01300 | 4 | |
| 29 | Cu washer | 4D35T-01090 | 4 | |
| 30 | 10.6X1.8 O sealing 10.6X1.8 | GB/T3452.1-1992 | 4 | |
| 31 | Sealing cap behind crankshaft | A4K41ZT-01071 | 1 | |
| 32 | Injection pump flange | A4K41ZT-16005 | 1 | |
| 33 | Packing chest | A4K41ZT-62001 | 1 | |
| 34 | Oil pump&oil way assembly | A4K41ZT-31000 | 1 | |
| 35 | Return oil hose of turbo | A4K41ZT-19006 | 1 | |
| 36 | Machining block assembly | A4K41ZT-01100 | 1 | |
| 37 | Oil return pipe connector | A4K41ZT-01060 | 1 | |
| 38 | Cylinder liner | A4K41ZT-01005 | 4 | |
| 39 | Breather wedding piece | 4K39T-34100-3 | 1 | |
| 40 | A Fuel pump support A | A4K41ZT-01076 | 1 | |
| 41 | B Fuel pump support B | A4K41ZT-01077 | 1 | |
| 42 | High pressure pipe assembly | A4K41T-23000-4 | 1 | |
| 43 | Cylinder Head Machining parts | A4K41T-03100 | 1 | |
| 44 | Injector Yoke | A4K41T-03016 | 4 | |
| 45 | Injector binding bolt | A4K41T-03017 | 4 | |
| 46 | Into fuel connector | 490B-25401-4 | 1 | |
| 47 | Piston | A4K41T-04001 | 4 | |
| 48 | Con-rod part | A4K41T-04200 | 4 | |
| 49 | First ring | A4K41T-04002 | 4 | |
| 50 | Second ring | A4K41T-04003 | 4 | |
| 51 | Coil spring oil control ring | A4K41T-04100 | 4 | |
| 52 | Piston pin | A4K41T-04004 | 4 | |
| 53 | 38 Cirelip used for hole | GB/TB93.1-1986 | 8 | |
| 54 | Return pipe of injector | A4K41T-25002 | 3 | |
| 55 | Rubber sleeve of injector | A4K41T-25004 | 1 | |

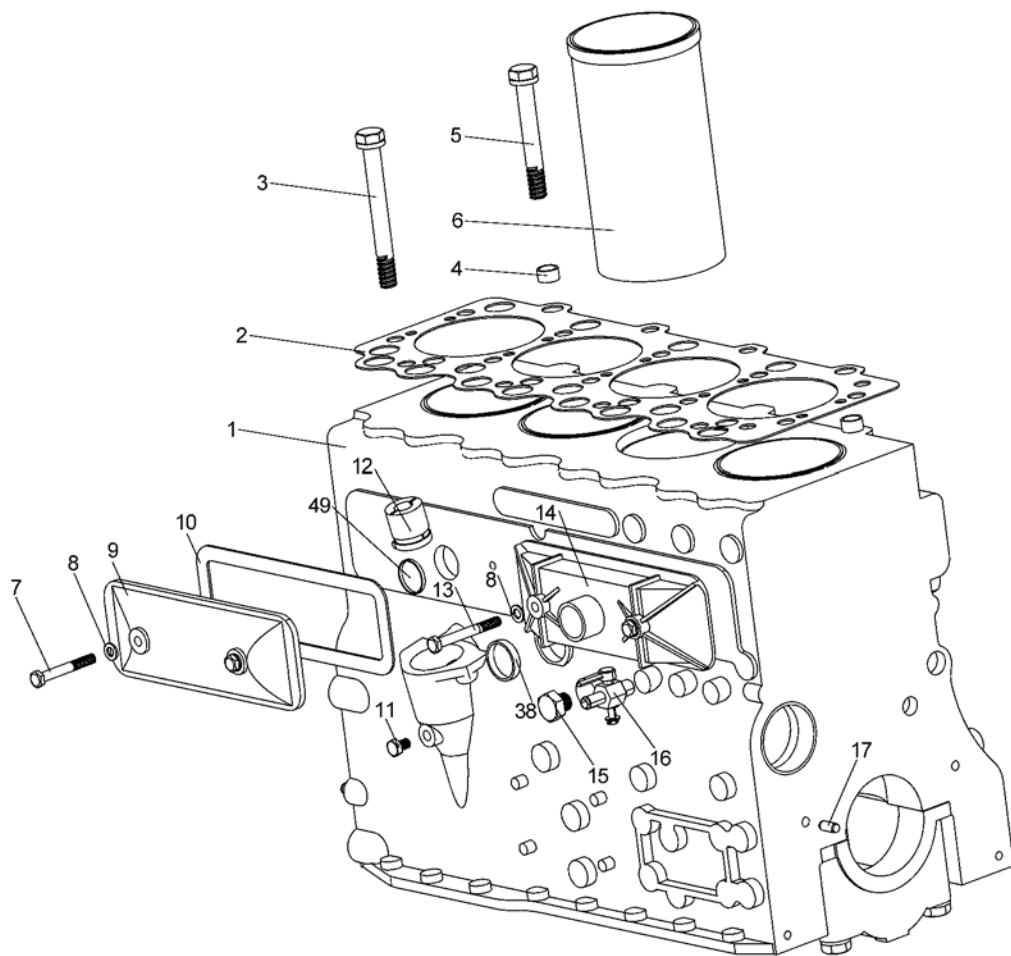
Special Items For Combine-harvester Application

| Item | Nombre de piezas | Códigos | Cant. | Observ. |
|------|---|---------------|-------|---------------------------------------|
| 1 | Drain part | 4K39T-01200-1 | 1 | |
| 2 | Sealing seat | 4K39T-01071-1 | 1 | |
| 3 | Oil seal seat washer | 4K39T-01072-1 | 1 | |
| 4 | Injection pump Timing gear shaft sleeve | 4K39T-02015-1 | 1 | |
| 5 | Hydraulic pump gear | 4K39T-02013-1 | 1 | |
| 6 | Crankshaft pulley | 4K39T-05001-1 | 1 | |
| 7 | Flywheel | 4K39T-05101-1 | 1 | |
| 8 | Flywheel ring gear | 4K39T-05102 | 1 | |
| 9 | Oil sump assembly | 4K39T-07000-1 | 1 | |
| 10 | Exhaust pipe | 4K39T-08001-1 | 1 | |
| 11 | Exhaust manifold pad | 4K39T-08003-1 | 1 | |
| 12 | Intake pipe | 4K39T-09003-1 | 1 | |
| 13 | Flywheel housing | 4K39T-13001-1 | 1 | Don't install flywheel housing gasket |
| 14 | Timing gear cover | 4K39T-16001-1 | 1 | |
| 15 | Timing pointer | 490B-16012 | 1 | |
| 16 | Low pressure fuel pipe assembly | 4K39T-25000-1 | 1 | |
| 17 | Fuel filter support | 4K39T-26001-1 | 1 | |
| 18 | Breather assembly | 4K39T-34000-1 | 1 | |
| 19 | Water pump assembly | 4K39T-42100-1 | 1 | |
| 20 | Water pump gasket | 4K39T-42001-1 | 1 | |
| 21 | Head front cover plate | 4K39T-43101-1 | 1 | |
| 22 | Hose for auto | 4K39T-43009-1 | 1 | |
| 23 | Generator support assembly | 4K39T-53000-1 | 1 | |
| 24 | Heater plug | 4K39T-54100-1 | 4 | |
| 25 | Fan belt | AV15-1200Li | 1 | |
| 26 | Parking assembly | 4K39T-62000-1 | 1 | |
| 27 | ameplate | 4K39T-11008-2 | 1 | |

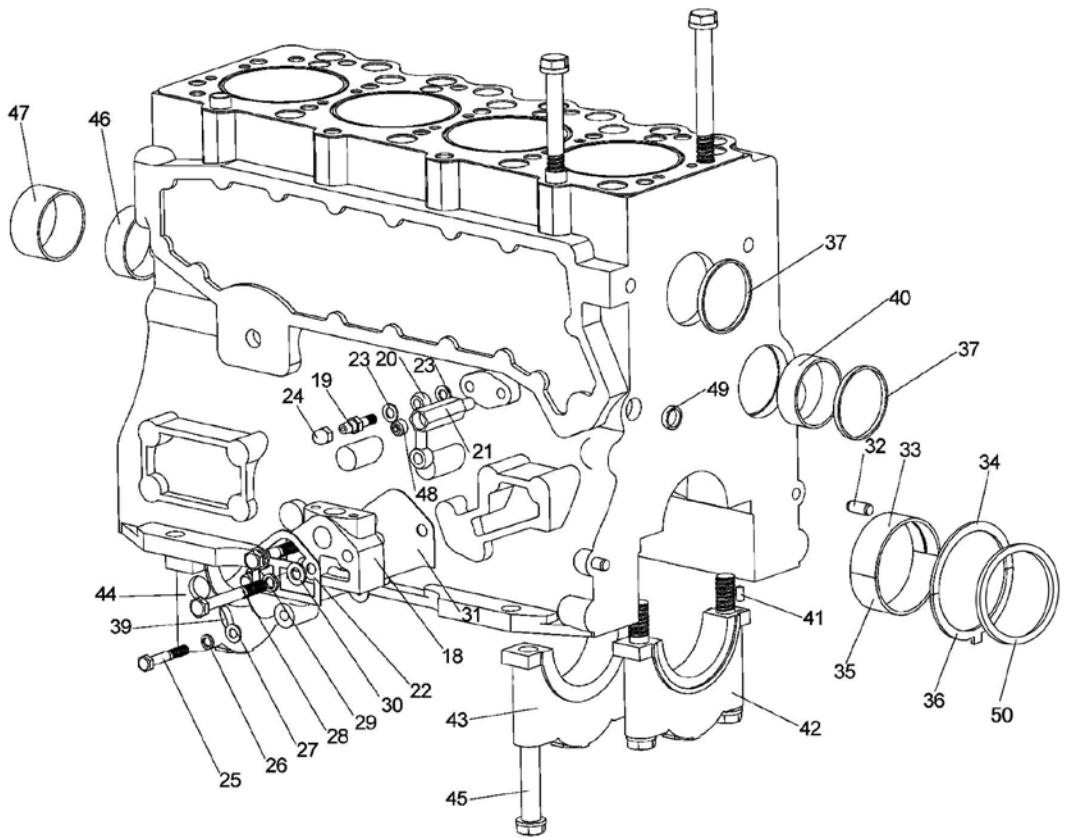
Contents

| | |
|---|----|
| Body assembly | 1 |
| Timing gear transmission assembly | 6 |
| Cylinder head assembly | 8 |
| Oil pan and side bracket assembly | 12 |
| Intake and exhaust assembly | 14 |
| Flywheel crankshaft, connecting rod piston, camshaft, flywheel housing and starter motor assembly | 16 |
| Timing gear and thermostat assembly | 20 |
| Oil pump and piping assembly | 23 |
| Cooler, water pump and fan assembly | 25 |
| Fuel supply system | 27 |
| Charging generator and bracket assembly | 29 |

Body assembly



Body assembly



Body assembly

| Item | Códigos | Nombre de piezas | Cant. | Observ. |
|------|----------------|---------------------------------|-------|----------------|
| 1 | 4K39T- 01100 | Body | 1 | |
| | 4K41T- 01101 | Body | 1 | 4K41T |
| | 4K43T- 01101 | Body | 1 | 4K43T |
| 2 | 4K39T- 01004 | Cylinder gasket | 1 | 4K39T 4K41T |
| | 4K43T- 01004 | Cylinder gasket | 1 | 4K43T |
| 3 | 4K39T- 01002 | Long cylinder head bolts | 14 | |
| 4 | 4K39T- 01001 | Cylinder head positioning units | 2 | |
| 5 | 4K39T- 01003 | Short cylinder head bolts | 4 | |
| 6 | 4K39T- 01005 | Cylinder | 4 | |
| | 4K41T- 01005 | Cylinder | 4 | 4K41T |
| | 4K43T- 01005 | Cylinder | 4 | 4K43T |
| 7 | GB/T5782- 2000 | Bolt M8655 | 2 | |
| 8 | GB/T982 | Combination gasket 8 | 4 | |
| 9 | 4K39T- 01042 | Tappet chamber cover(7) | 1 | |
| 10 | 4K39T- 01043 | Tappet chamber cover gasket | 2 | |
| 11 | 490B- 01029-1 | Plug Rc1/8 | 2 | |
| 12 | 4K39T- 01051 | Oil pump drive gear bushing | 1 | |
| 13 | GB/T5782- 2000 | Bolt M8670 | 2 | |
| 14 | 4K39T- 01041 | Tappet chamber cover(8) | 1 | |
| 15 | 490BT- 13008-1 | Flywheel plug | 1 | |
| 16 | 490BT- 01100 | Release valve parts | 1 | |
| 17 | GB119- 86 | Pin B8620 | 2 | |
| 18 | 4K39T- 01053 | Machines Filter Block | 1 | |

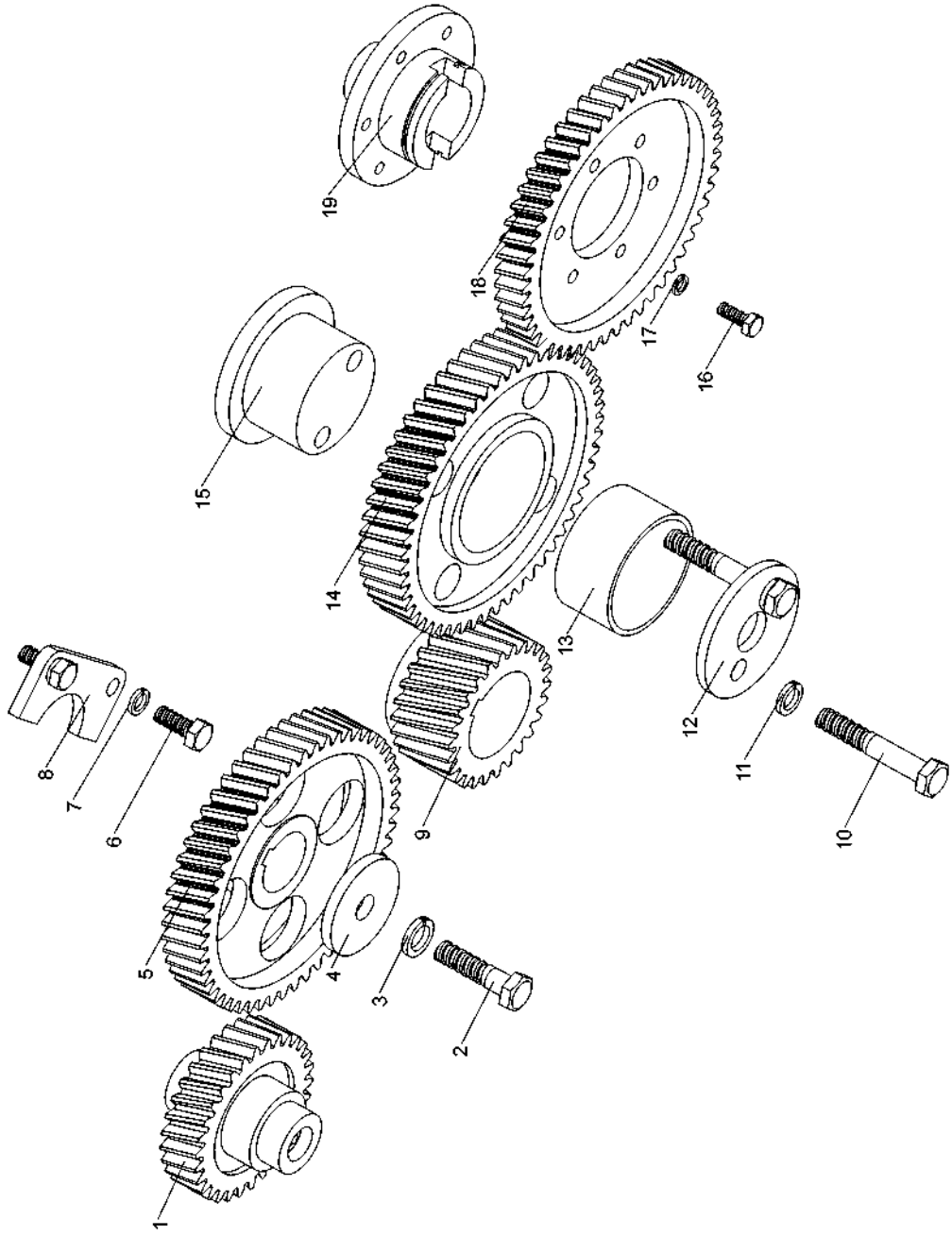
Body assembly

| Item | Códigos | Nombre de piezas | Cant. | Observ. |
|------|----------------|-------------------------------------|-------|---------|
| 19 | 490B- 52005-1 | Into oil conector | 1 | |
| 20 | NB485B- 21100 | Forced lubrication oil pump | 1 | |
| 21 | 4K39T- 01074 | Oil pressure sensor connector | | |
| 22 | 4K39T- 01073 | Oil filter gasket | 1 | |
| 23 | JB/T6013- 2000 | Washer 8 | 2 | |
| 24 | GB/T923- 1988 | Cap-type nuy M8 | 1 | |
| 25 | GB/T5782- 2000 | Bolt M8650 | 2 | |
| 26 | GB/T93- 1987 | Washer 8 | 8 | |
| 27 | GB/T97.1- 1985 | Washer 8 - 140 Hv | 8 | |
| 28 | GB/T5782- 2000 | Bolt M10685 | 2 | |
| 29 | GB/T93- 1987 | Washer 10 | 2 | |
| 30 | GB/T97.1- 1985 | Washer 8 - 140 Hv | 2 | |
| 31 | 4K39T- 01052 | Machine filter seat cushion film | 1 | |
| 32 | GB119- 86 | Pin B10624 | 2 | |
| 33 | 4K39T- 01034 | Main bearing | 5 | |
| 34 | 4K39T- 01026 | Thrust washer | 2 | |
| 35 | 4K39T- 01033 | Main bearing | 5 | |
| 36 | 4K39T- 01022 | Thrust washer | 2 | |
| 37 | 4K39T- 01111 | Plug cap 9 65 | 2 | |
| 38 | 4K39T- 01112 | Plug cap 9 65 | 1 | |
| 39 | 490B- 03017 | Bowl cypriot films 20 | | |
| 40 | 4K39T- 01104 | Camshaft bushes | 1 | |
| 41 | 4K39T- 01102 | Pin 9 6612 | 1 | |

Body assembly

| Item | Códigos | Nombre de piezas | Cant. | Observ. |
|------|--------------|-------------------------------|-------|---------|
| 42 | 4K39T- 01110 | His calligraphy bearing cover | 1 | |
| 43 | 4K39T- 01106 | Middle main bearing cap | 3 | |
| 44 | 4K39T- 01109 | Front main bearing cap | 1 | |
| 45 | 4K39T- 01103 | Main bearing cap bolts | 10 | |
| 46 | 4K39T- 01107 | Camshaft Bushing | 2 | |
| 47 | 4K39T- 01108 | Camshaft Bush before | 1 | |
| 48 | 490B- 01081 | Plug R1/4 | 1 | |
| 49 | 490B- 01078 | Bowl cypriot films 30 | 2 | |
| 50 | 4K39T-01036 | Behind crankshaft sealing | 1 | |

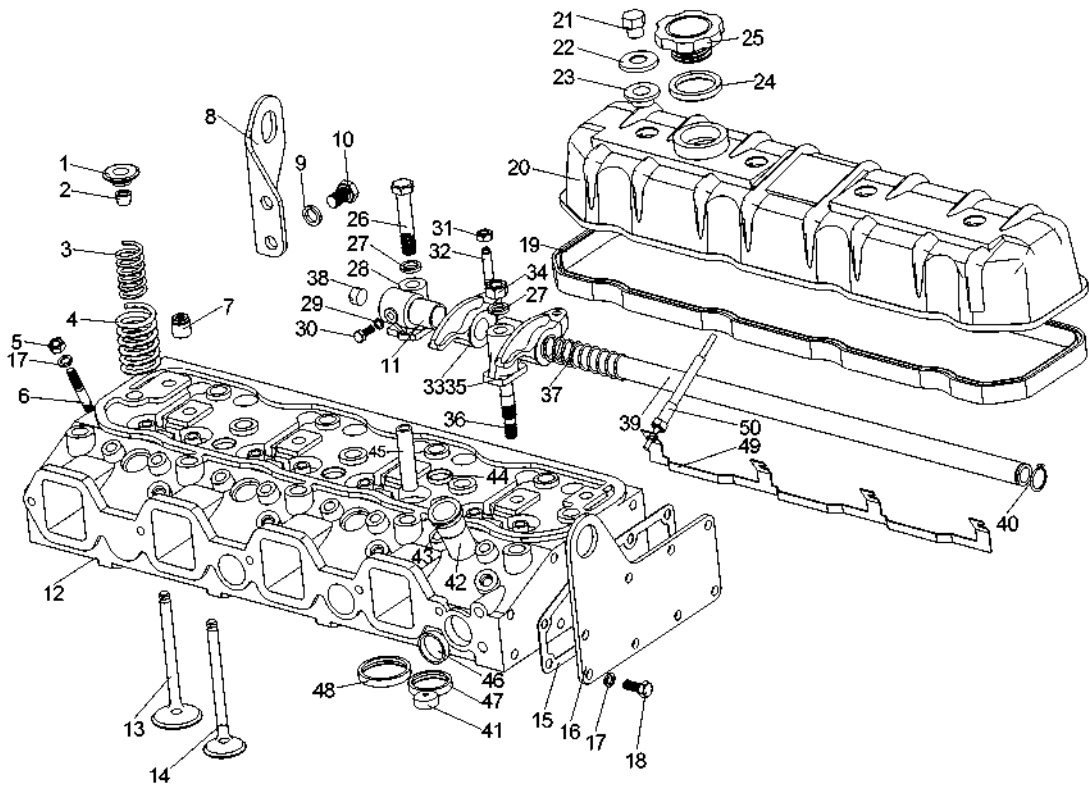
Timing gear transmission assembly



Timing gear transmission assembly

| Item | Códigos | Nombre de piezas | Cant. | Observ. |
|------|----------------|--|-------|---------|
| 1 | 4K39T- 02013 | Hydraulic pump gear | 1 | |
| 2 | GB/T5782- 2000 | Bolt M12640 | 1 | |
| 3 | GB/T93- 1987 | Spring washer 12 | 1 | |
| 4 | 4K39T- 02011 | Camshaft gear plate | 1 | |
| 5 | 4K39T- 02009 | Camshaft timing gear | 1 | |
| 6 | GB/T5783- 2000 | Bolt M8620 | 2 | |
| 7 | GB/T93- 1987 | Spring washer 8 | 2 | |
| 8 | 4K39T- 02008 | Camshaft thrust plate | 1 | |
| 9 | 4K39T- 02007 | Camshaft gear | 1 | |
| 10 | GB/T5782- 2000 | Bolt M10660 | 2 | |
| 11 | GB/T93- 1987 | Spring washer 10 | 2 | |
| 12 | 4K39T- 02012 | Idler gear plate | 1 | |
| 13 | 4K39T- 02005 | Idler gear bushing | 1 | |
| 14 | 4K39T- 02006 | Idler gear | 1 | |
| 15 | 4K39T- 02004 | Idler gear shaft timing | 1 | |
| 16 | GB/T5783- 2000 | Bolt M6616 | 6 | |
| 17 | GB/T93- 1987 | Spring washer 6 | 6 | |
| 18 | 4K39T- 02003 | Gear pump | 1 | |
| 19 | 4K39T- 02015 | Fuel injection pump timing gear sleeve | 1 | |

Cylinder head assembly



Cylinder head assembly

| Item | Códigos | Nombre de piezas | Cant. | Observ. |
|------|----------------|----------------------------|-------|---------------------|
| 1 | 4K39T- 03007 | Valve spring attendance | 16 | |
| 2 | 4K39T- 03006 | Air lock folder | 16 | |
| 3 | 4K39T- 03005 | Valve inner spring | 8 | |
| 4 | 4K39T- 03004 | Gas door spring | 8 | |
| 5 | GB/T6170- 1987 | Nut M8 | 8 | |
| 6 | GB/T898- 1988 | Stud AM8-M8 645 | 8 | |
| 7 | 4K39T- 03008 | Valve guide seal | 8 | |
| 8 | 4K39T- 03011 | Lug | 1 | |
| 9 | GB/T6170- 2000 | Spring washer 12 | 2 | |
| 10 | GB/T5783- 2000 | Bolt M1261.5625 | 2 | |
| 11 | 4K39T- 03212 | Valve rocker shaft bush | 8 | |
| 12 | 4K39T- 03101 | Cylinder head | 1 | -, 4K39T : 4K41T |
| | 4K43T- 03101 | Cylinder head | 1 | -, 4K43T |
| 13 | 4K39T- 03015 | Intake valve | 4 | -, 4K39T : 4K41T |
| | 4K43T- 03015 | Intake valve | 4 | -, 4K43T |
| 14 | 4K39T- 03014 | Exhaust valve | 4 | -, 4K39T : 4K41T |
| | 4K43T- 03014 | Exhaust valve | 4 | -, 4K43T |
| 15 | 4K39T- 03013 | Cylinder head cover gasket | 1 | |
| 16 | 4K39T- 03012 | Cylinder head cover | 1 | |
| 17 | GB/T93- 1987 | Spring 8 | 16 | |
| 18 | GB/T5783- 2000 | Bolt M8620 | 8 | |
| 19 | 4K39T- 11002 | Covered with rubber mats | | |

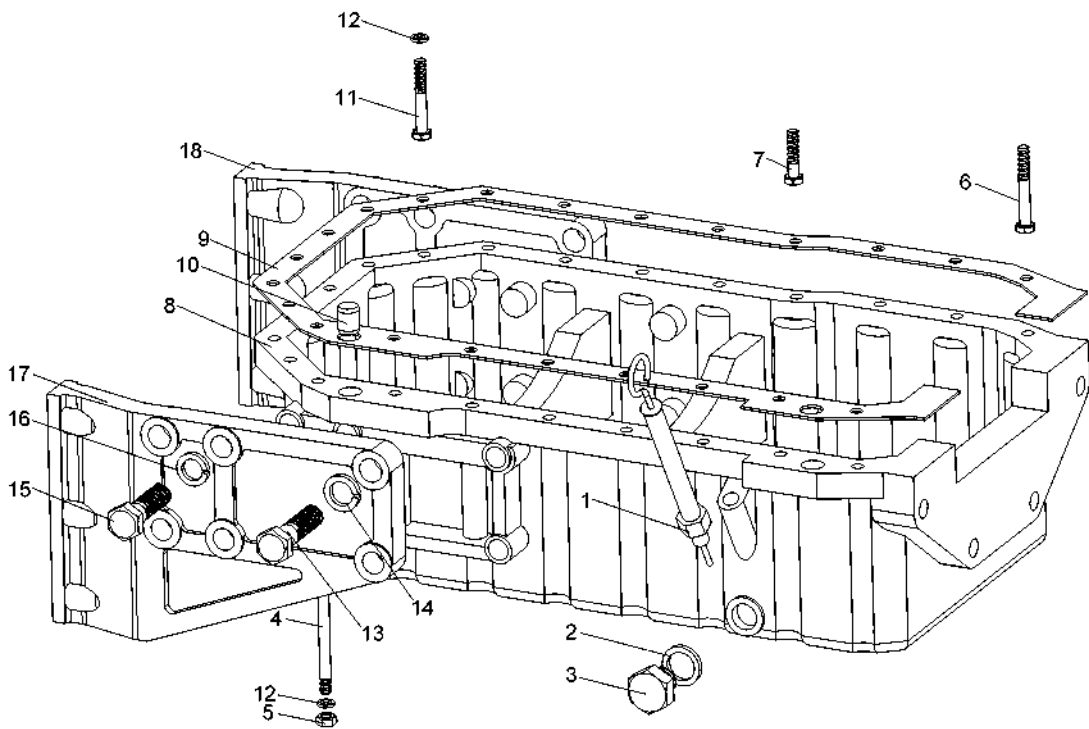
Cylinder head assembly

| Item | Códigos | Nombre de piezas | Cant. | Observ. |
|------|------------------------|----------------------------------|-------|---------|
| 20 | 4K39T- 11100 | Cylinder cover | 1 | |
| 21 | 4K39T- 11006 | Lock nut | 4 | |
| 22 | 4K39T- 11005 | Lock nut pad | 4 | |
| 23 | 4K39T- 11007 | Lock nut rubber mats | 4 | |
| 24 | 4K39T- 11003 | Oil filler cover | 1 | |
| 25 | 4K39T- 11004 | Oil filler cover gasket | 1 | |
| 26 | 4K39T- 03207 | Block rocker bolt | 2 | |
| 27 | GB/T93- 1987 | Spring washer 12 | 6 | |
| 28 | 4K39T- 03205 | Block rocker | 1 | |
| 29 | GB/T93- 1987 | Spring washer 6 | 1 | |
| 30 | GB/T5783- 2000 | Bolt M6616 | 1 | |
| 31 | GB/T6171- 2000 | Nut M861 | 8 | |
| 32 | 4K39T- 03201 | Valve clearance adjustment screw | 8 | |
| 33 | 4K39T- 03211 | Rocker arm components | 8 | |
| 34 | GB/T6172- 1986 | Nut M12 | 4 | |
| 35 | 4K39T- 03202 | Block Rocker | 5 | |
| 36 | 4K39T- 03208 | Block Rocker Bolt | 4 | |
| 37 | 4K39T- 03203 | Rocker shaft spring | 3 | |
| 38 | 4K39T- 03206 | Rocker shaft plug M1461.5 | 2 | |
| 39 | 4K39T- 03204 | Rocker shaft | 1 | |
| 40 | GB8941- 1986 | Snap Ring 20 | 1 | |
| 41 | 4K39T- 03105 | Plug | 6 | |
| 42 | 4K39T- 03109 | Copper sets injector | 4 | |
| 43 | GB/T3452.1- 256 2.4 | O- ring | 4 | |

Cylinder head assembly

| Item | Códigos | Nombre de piezas | Cant. | Observ. |
|------|--------------|----------------------------|-------|--------------------|
| 44 | 4K39T- 03111 | Plug 922 | 3 | |
| 45 | 4K39T- 03102 | Valve guide | 8 | |
| 46 | 490B- 01078 | Plug 930 | 2 | |
| 47 | 4K39T- 03108 | Exhaust valve seat | 4 | , 4K39T : 4K41T |
| | 4K43T- 03108 | Exhaust valve seat | 4 | , 4K43T |
| 48 | 4K39T- 03107 | Intake valve seat | 4 | , 4K39T : 4K41T |
| | 4K43T- 03107 | Intake valve seat | 4 | , 4K43T |
| 49 | 4K39T- 54001 | Electric plug interconnect | 1 | |
| 50 | 4K39T- 54100 | Electric plug | 4 | |

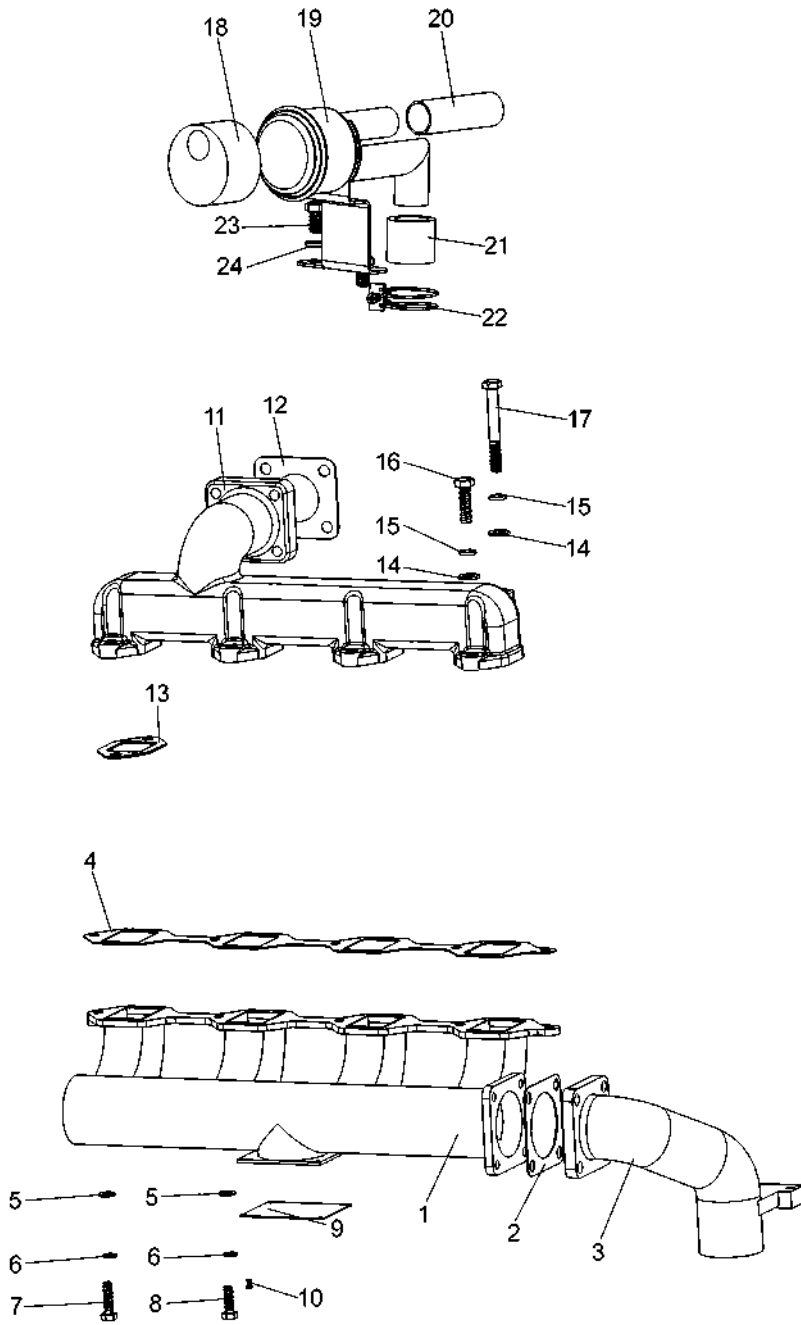
Oil pan and side bracket assembly



Oil pan and side bracket assembly

| Item | Códigos | Nombre de piezas | Cant. | Observ. |
|------|-----------------|-----------------------|-------|---------|
| 1 | 4K39T- 07200 | Oil gauge parts | 1 | |
| 2 | JB982- 77 | Combination gasket 20 | 1 | |
| 3 | JB2343- 79 | Hexagon magnetic plug | 1 | |
| 4 | GB/T899- 1988 | Stud AM8-M8 6130 | 6 | |
| 5 | GB/T6170- 2000 | Nut M8 | 6 | |
| 6 | GB/T5782- 2000 | Bolt M8660 | 1 | |
| 7 | GB/T5782- 2000 | Bolt M8635 | 13 | |
| 8 | 4K39T- 07106 | Oil pan | 1 | |
| 9 | 4K39T- 07002 | Oil pan gasket | 1 | |
| 10 | GB/T119.2- 2000 | Pin B16620 | 2 | |
| 11 | GB/T5782- 2000 | Bolt M8655 | 2 | |
| 12 | GB/T93- 1987 | Spring washer | 22 | |
| 13 | 490BT- 07800 | Bolt | 4 | |
| 14 | GB/T93- 1987 | Spring washer 18 | 4 | |
| 15 | GB/T5782- 2000 | Bolt M16655 | 8 | |
| 16 | GB/T93- 1987 | Spring washer 16 | 8 | |
| 17 | 4K39T- 15001 R | Side stile (right) | 1 | |
| 18 | 4K39T- 15001 L | Side stile (left) | 1 | |

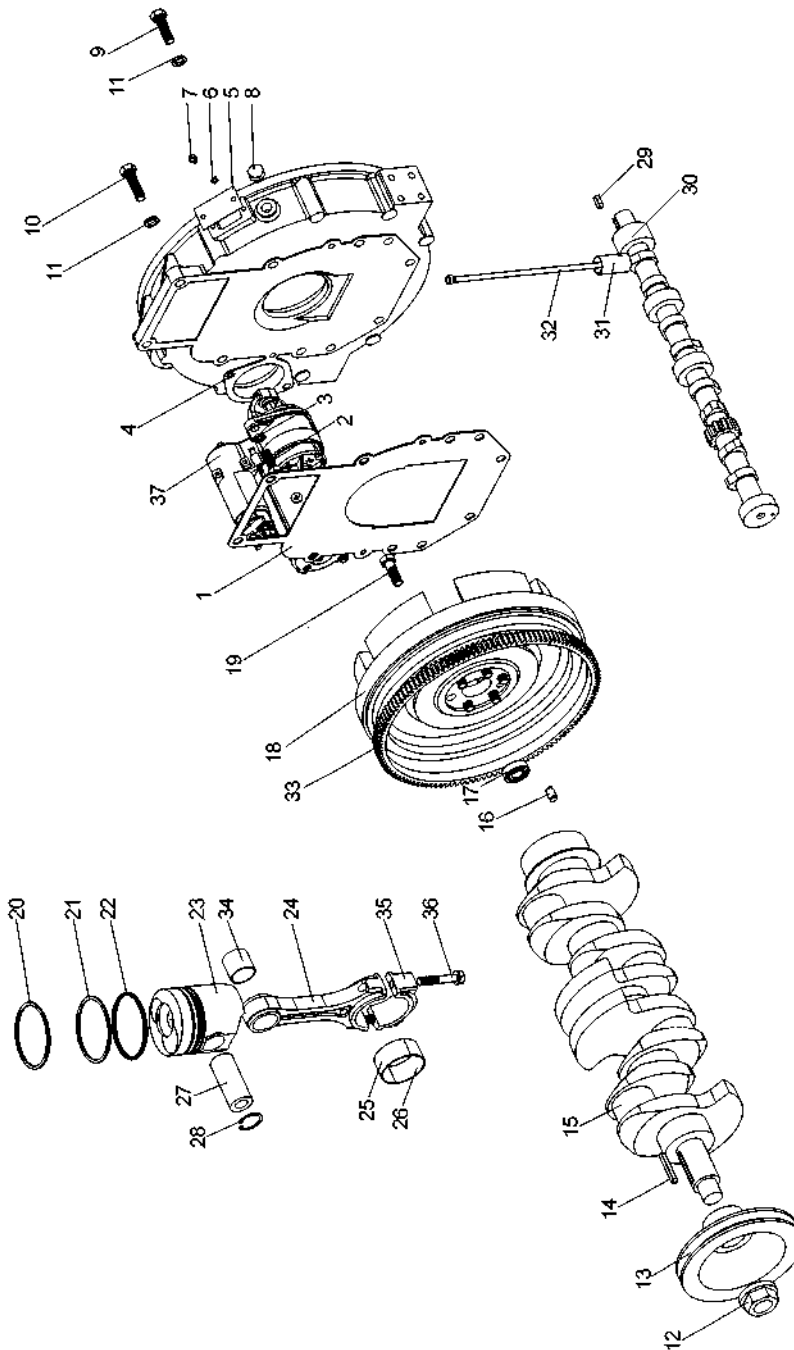
Intake and exhaust assembly



Intake and exhaust assembly

| Item | Códigos | Nombre de piezas | Cant. | Observ. |
|------|----------------|------------------------|-------|---------|
| 1 | 4K39T- 09002 | Intake manifolds | 1 | |
| 2 | 4K39T- 09004 | Intake manifold pad | 1 | |
| 3 | 4K39T- 09003 | Intake manifold | 1 | |
| 4 | 4K39T- 09001 | Intake manifold gasket | 1 | |
| 5 | GB/T97.1- 2002 | Flat washer 8- 140Hv | 9 | |
| 6 | GB/T93- 1987 | Spring washer 8 | 9 | |
| 7 | GB/T5783- 2000 | Bolt M8630 | 1 | |
| 8 | GB/T5783- 2000 | Bolt M8625 | 8 | |
| 9 | 4K39T- 11008 | Nameplate | 1 | |
| 10 | GB/T818- 2000 | Screw M366 | 4 | |
| 11 | 4K39T- 08001 | Exhaust pipe | 1 | |
| 12 | 4K39T- 08003 | Exhaust pad | 1 | |
| 13 | 4K39T- 08002 | Exhaust pad | 4 | |
| 14 | GB/T97.1- 2002 | Flat washer 10 | 8 | |
| 15 | GB/T93- 1987 | Spring washer 10 | 8 | |
| 16 | GB/T5783- 2000 | Bolt M10635 | 6 | |
| 17 | GB/T5782- 2000 | Bolt M10680 | 2 | |
| 18 | 4K39T- 34006 | Respirator filter | 1 | |
| 19 | 4K39T- 34100 | Welding respirator | 1 | |
| 20 | JB/T8406- 2001 | Hose A 286400 | 1 | |
| 21 | JB/T8406- 2001 | Hose A 32640 | 1 | |
| 22 | ZB/T3005- 1988 | Double wire clamp | 3 | |
| 23 | GB/T5782- 2000 | Bolt M1261.5620 | 2 | |
| 24 | GB/T93- 1987 | Spring washer 12 | 2 | |

Flywheel crankshaft, connecting rod piston, camshaft, flywheel housing and starter motor assembly



Flywheel crankshaft, connecting rod piston, camshaft, fly wheel housing and starter motor assembly

| Item | Códigos | Nombre de piezas | Cant. | Observ. |
|------|----------------|----------------------------------|-------|-----------------------|
| 1 | 4K 39T- 13004 | Flywheel housing gasket | 1 | |
| 2 | GB/T5783- 2000 | Bolt M12635 | 2 | |
| 3 | GB/T93- 1987 | Spring washer 12 | 2 | |
| 4 | 4K 39T- 13001 | Flywheel | 1 | |
| 5 | 490B- 13003 | Observation hole cover | 1 | |
| 6 | GB/T93- 1987 | Spring washer 6 | 2 | |
| 7 | GB/T67- 2000 | Slotted pan head screws M6610 | 2 | |
| 8 | 490BT- 13008-1 | Flywheel plug | 1 | |
| 9 | GB/T5783- 2000 | Bolt M1461.5645 | 8 | |
| 10 | GB/T5783- 2000 | Bolt M1461.5650 | 2 | |
| 11 | GB/T93- 1987 | Spring washer 14 | 10 | |
| 12 | 4K 39T- 05002 | Crankshaft pulley nut | 1 | |
| 13 | 4K 39T- 05001 | Crankshaft pulley | 1 | |
| 14 | GB 1096- 1979 | Key 8660 | 1 | |
| 15 | 4K 39T- 05003 | Crankshaft | 1 | |
| | 4K 41T- 05003 | Crankshaft | 1 | -, 4K 41T : 4K 43T |
| 16 | GB 119- 86 | Cylindrical pin B12-20 | 1 | |
| 17 | GB 278- 89 | Bearing 60203 | 1 | |
| 18 | 4K 39T- 05101 | Flywheel | 1 | |
| 19 | 4K 39T- 05004 | Flywheel bolt | 6 | |
| 20 | 4K 39T- 04002 | First piston ring | 4 | |
| | 4K 41T- 04002 | First piston ring | 4 | -, 4K 41T |
| | 4K 43T- 04002 | First piston ring | 4 | -, 4K 43T |

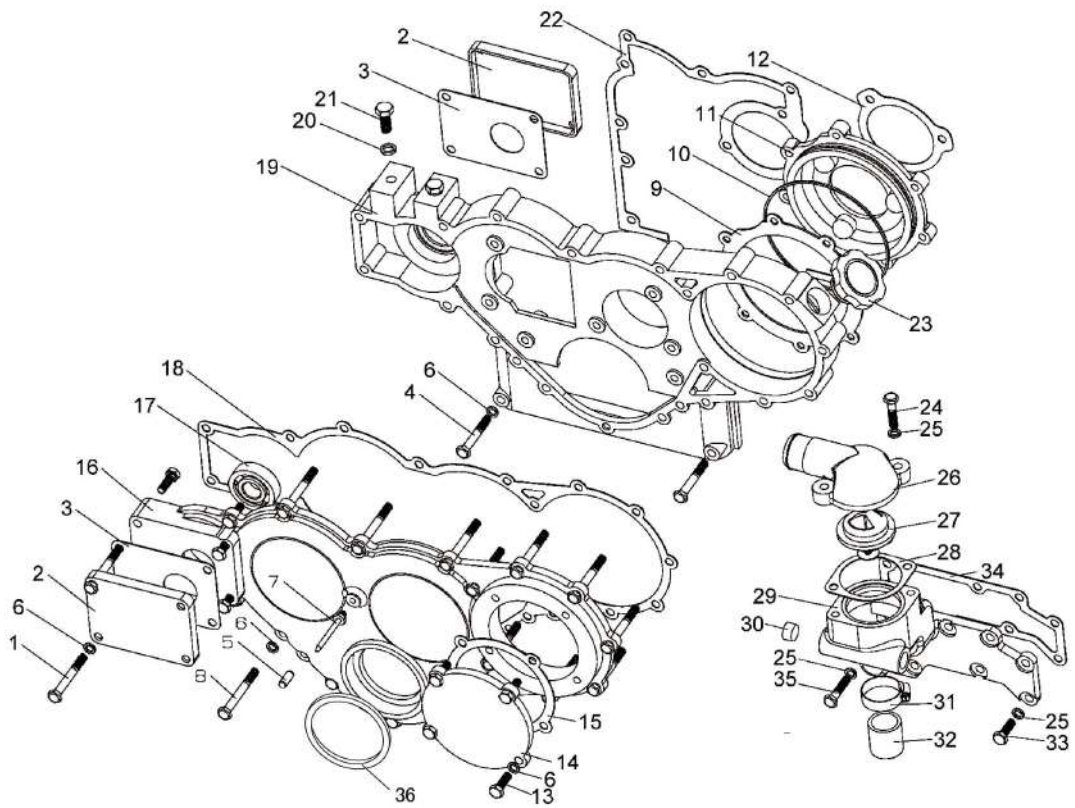
Flywheel crankshaft, connecting rod piston, camshaft, flywheel housing and starter motor assembly

| Item | Códigos | Nombre de piezas | Cant. | Observ. |
|------|----------------|-------------------------|-------|--------------------------|
| 21 | 4K 39T- 04003 | Second piston ring | 4 | |
| | 4K 41T- 04003 | Second piston ring | 4 | -, 4K41T |
| | 4K 43T- 04003 | Second piston ring | 4 | -, 4K43T |
| 22 | 4K 39T- 04100 | Oil ring piece together | 4 | |
| | 4K 41T- 04100 | Oil ring piece together | 4 | -, 4K41T |
| | 4K 43T- 04100 | Oil ring piece together | 4 | -, 4K43T |
| 23 | 4K 39T- 04001 | Piston | 4 | |
| | 4K 41T- 04001 | Piston | 4 | -, 4K41T |
| | 4K 43T- 04001 | Piston | 4 | -, 4K43T |
| 24 | 4K 39T- 04201 | Connecting rod | 4 | |
| 25 | 4K 39T- 04005 | Connecting rod bearing | 4 | -, 4K 39T : 4K41T |
| | 4K 43T- 04005 | Connecting rod bearing | 8 | -, 4K 43T 8 v 9 7 } |
| 26 | 4K 39T- 04006 | Connecting rod bearing | 4 | |
| 27 | 4K 39T- 04004 | Positon pin | 4 | |
| | 4K 41T- 04004 | Positon pin | 4 | -, 4K41T |
| | 4K 43T- 04004 | Positon pin | 4 | -, 4K43T |
| 28 | GB/T93.1- 1986 | Spring ring 36 | 8 | |
| 29 | GB/T1096- 2003 | Key C8620 | 6 | |
| 30 | 4K 39T- 06001 | Camshaft | 1 | |
| 31 | 4K 39T- 06002 | Valve tappet | 8 | |
| 32 | 4K 39T- 06003 | Valve push rod | 8 | |

Flywheel crankshaft, connecting rod piston, camshaft, flywheel housing
and starter motor assembly

| Item | Códigos | Nombre de piezas | Cant. | Observ. |
|------|---------------|----------------------------------|-------|---------|
| 33 | 490B- 05102 | Flywheel ring gear | 1 | |
| 34 | 4K 39T- 04202 | Connecting rod small end bush | 4 | |
| 35 | 4K 39T- 04204 | Connecting rod cap | 4 | |
| 36 | 4K 39T- 04203 | Connecting rod bolt | 8 | |
| 37 | 4K 39T- 51000 | Starter motor assembly | 1 | |

Timing gear and thermostat assembly



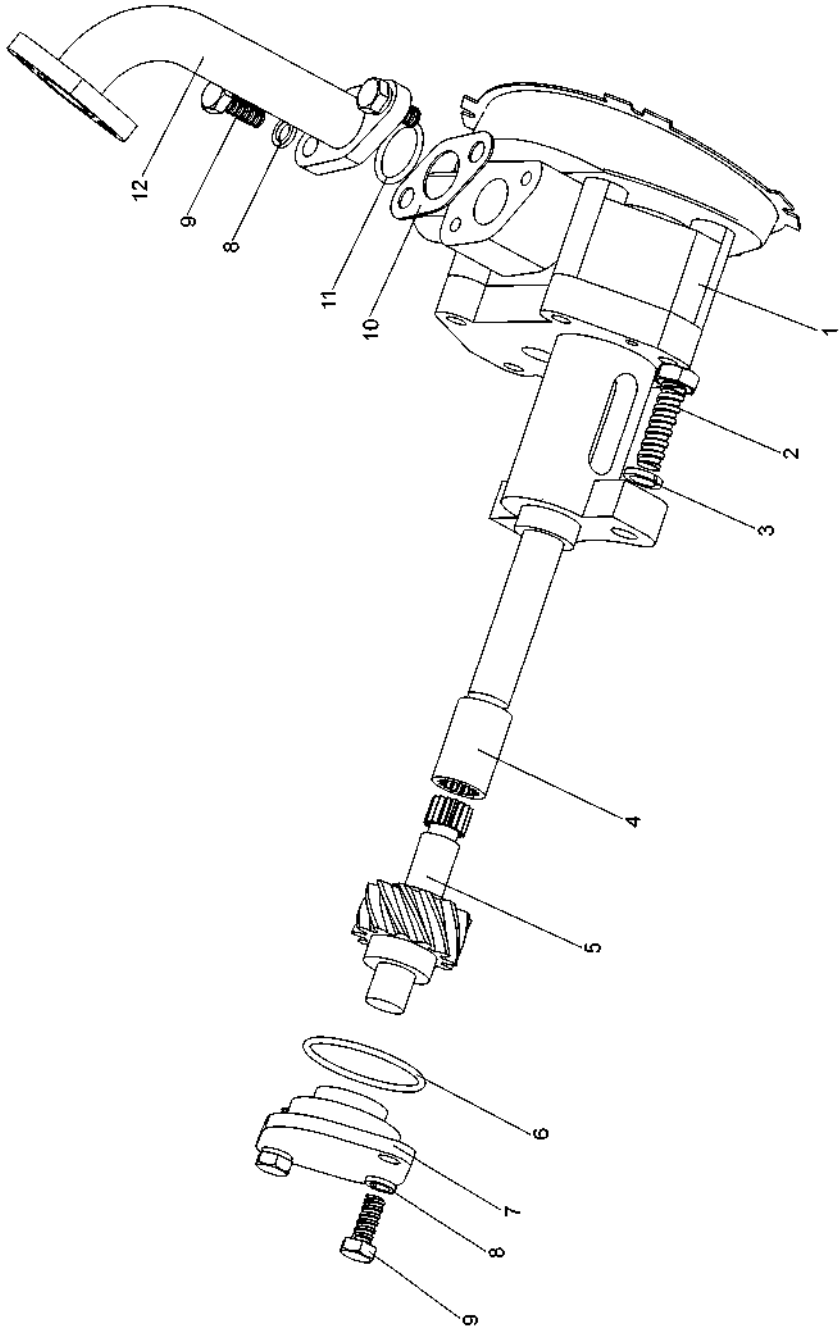
Timing gear and thermosthat assembly

| Item | Códigos | Nombre de piezas | Cant. | Observ. |
|------|-----------------|---------------------------------|-------|---------|
| 1 | GB/T5782- 2000 | Bolt M8665 | 9 | |
| 2 | 490BT- 16014A | Pump cover plate | 2 | |
| 3 | 490BT- 16013-1 | Hydraulic pump end cover gasket | 2 | |
| 4 | GB/T5782- 2000 | Bolt M8670 | 5 | |
| 5 | GB/T119.2- 2000 | Cylindrical pin 8620 | 2 | |
| 6 | GB/T93- 1987 | Spring washer 8 | 37 | |
| 7 | 4K39T- 16012 | Timing pointer | 1 | |
| 8 | GB/T5782- 2000 | Bolt M8655 | 2 | |
| 9 | 4K39T- 16006 | Injection pump flange pad | 1 | |
| 10 | GB1235- 76 | O- ring 14063.1 | 1 | |
| 11 | 4K39T- 16005 | Pump flange | 1 | |
| 12 | 490B- 16011-1 | Pump gasket | 1 | |
| 13 | GB/T5783- 2000 | Bolt M8625 | 20 | |
| 14 | 490BT- 16016A | Air compressor cover | 1 | |
| 15 | 490BT- 16005 | Air compressor cover gasket | 1 | |
| 16 | 4K39T- 16001 | Timing gear cover | 1 | |
| 17 | GB/T276- 1994 | Deep groove ball bearings 6006 | 2 | |
| 18 | 4K39T- 16002 | Timing gear cover gasket | 1 | |
| 19 | 4K39T- 16003 | Timing gear cover | 1 | |
| 20 | GB/T93- 1987 | Spring washer 10 | 2 | |
| 21 | GB21- 1976 | Bolt M10625 | 2 | |
| 22 | 4K39T- 16004 | Timing gear chamber gasket | 1 | |
| 23 | 495BT- 16100 | Gear oil cap assembly room | 1 | |

Timing gear and thermostat assembly

| Item | Códigos | Nombre de piezas | Cant. | Observ. |
|------|----------------|--------------------------------------|-------|---------|
| 24 | GB/T5782- 2000 | Bolt M8630 | 2 | |
| 25 | GB/T93- 1987 | Spring washer 8 | 10 | |
| 26 | 4K 39T- 43001 | Thermostat cover | 1 | |
| 27 | 490B- 43002 | Wax-type thermostat | 1 | |
| 28 | 4K 39T- 43003 | Thermostat cover gaskets | 1 | |
| 29 | 4K 39T- 43101 | Cylinder head front cover | 1 | |
| 30 | 490B- 43008 | Plug NPT3/8 | 2 | |
| 31 | JB/T8870- 1999 | Hose clamps d40 | 2 | |
| 32 | 4K 39T- 43009 | Automobile water rubber hoses 927635 | 1 | |
| 33 | GB/T5782- 2000 | Bolt M8620 | 7 | |
| 34 | 4K 39T- 43005 | Front cover gasket | 1 | |
| 35 | GB/T5782- 2000 | Bolt M8635 | 1 | |
| 36 | 4K39T-16035 | Front crankshaft sealing | 1 | |

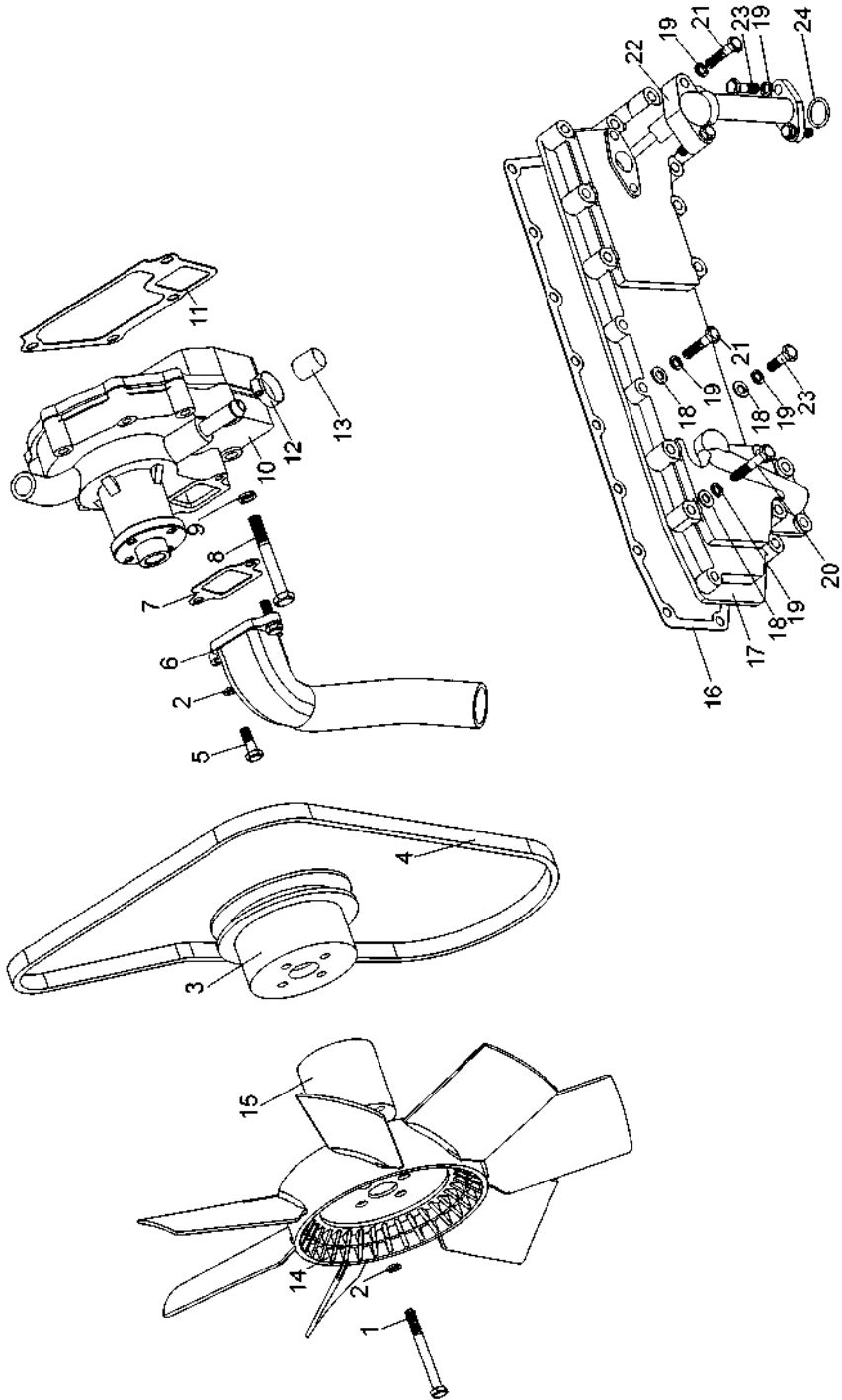
Oil pump and piping assembly



Oil pump and piping assembly

| Item | Códigos | Nombre de piezas | Cant. | Observ. |
|------|----------------|------------------------|-------|---------|
| 1 | 4K39T- 31100 | Oil pump | 1 | |
| 2 | GB/T5783- 2000 | Bolt M10635 | 2 | |
| 3 | GB/T93- 1987 | Spring washer 10 | 2 | |
| 4 | 4K39T- 31102 | Spline set | 1 | |
| 5 | 4K39T- 31101 | Drive gear shaft | 1 | |
| 6 | GB3452.1- 1992 | O- ring 46.262.65 | 1 | |
| 7 | 4K39T- 31002 | Oil pump bearing caps | 1 | |
| 8 | GB/T93- 1987 | Spring washer 8 | 6 | |
| 9 | GB/T5783- 2000 | Bolt M8620 | 6 | |
| 10 | 4K39T- 31001 | Oil pipe flange gasket | 2 | |
| 11 | GB3452.1- 1992 | O- ring 22.462.65 | 2 | |
| 12 | 4K39T- 31200 | Oil pipe joint parts | 1 | |

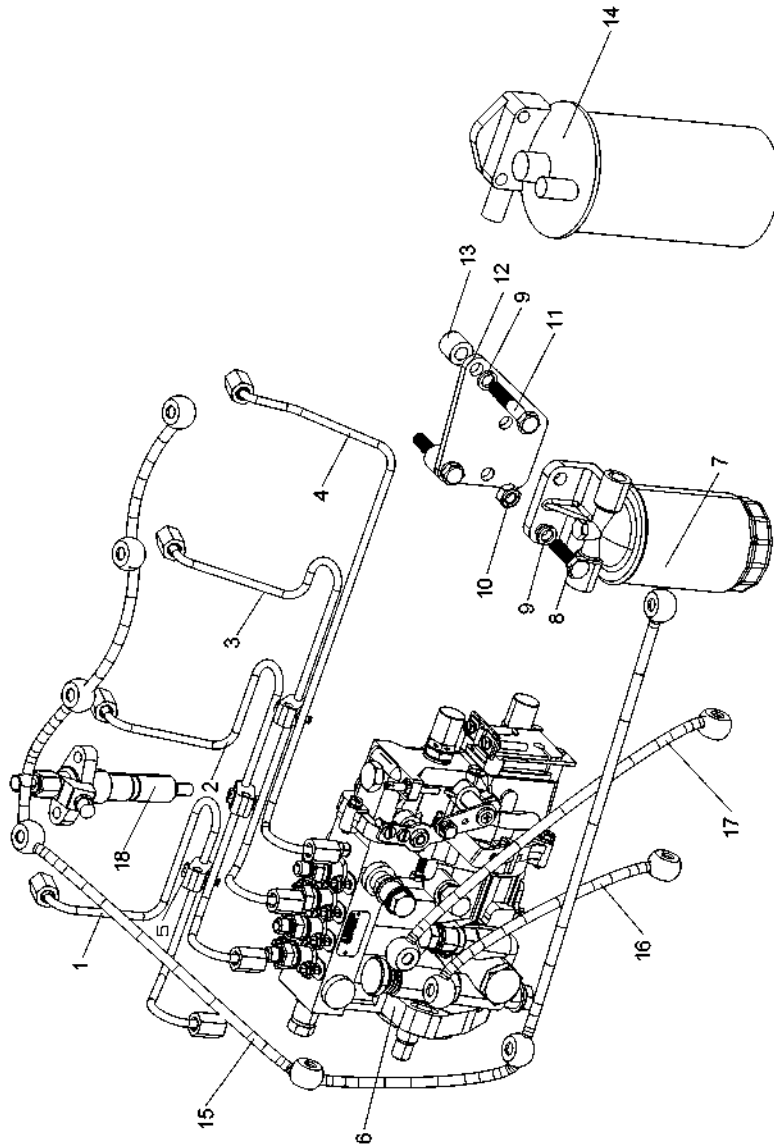
Cooler, water pump and fan assembly



Cooler, water pump and fan assembly

| Item | Códigos | Nombre de piezas | Cant. | Observ. |
|------|------------------|---------------------------------|-------|---------|
| 1 | GB/T5782- 2000 | Bolt M8695 | 4 | |
| 2 | GB/T93- 1987 | Spring washer 8 | 6 | |
| 3 | 4K39T- 42002 | Water pump pulley | 1 | |
| 4 | GB/T13352- 1996 | | 1 | |
| 5 | GB/T5782- 2000 | Bolt M8625 | 2 | |
| 6 | 4K39T- 42003 | Water over | 1 | |
| 7 | 4K39T- 42004 | Water over gasket | 1 | |
| 8 | GB/T5782- 2000 | Bolt M10685 | 4 | |
| 9 | GB/T93- 1987 | Spring washer 10 | 4 | |
| 10 | 4K39T- 42100 | Pump assembly | 1 | |
| 11 | 4K39T- 42001 | Pump gasket | 1 | |
| 12 | JB/T8870- 1999 | Clamp d25 | 1 | |
| 13 | 4K39T- 42005 | Heater pipe joint set | 1 | |
| 14 | Z420- 28- 52-7 | Fan assembly | 1 | |
| 15 | 490B- 41003-6 | Fan pad | 1 | |
| 16 | 4K39T- 36001 | Oil cooler cover gasket | 1 | |
| 17 | 4K39T- 36100 | Oil cooler assembly | 1 | |
| 18 | GB/T97.1- 1985 | Flat washers 8 | 22 | |
| 19 | GB/T93- 1987 | Spring washer 8 | 26 | |
| 20 | GB/T5782- 2000 | Bolt M8645 | 9 | |
| 21 | GB/T5782- 2000 | Bolt M8635 | 6 | |
| 22 | 4K39T- 36200 | Cooler inlet pipe welding parts | 1 | |
| 23 | GB/T5782- 2000 | Bolt M8625 | 11 | |
| 24 | GB/T3452.1- 1992 | O- ring 21.262.65 | 2 | |

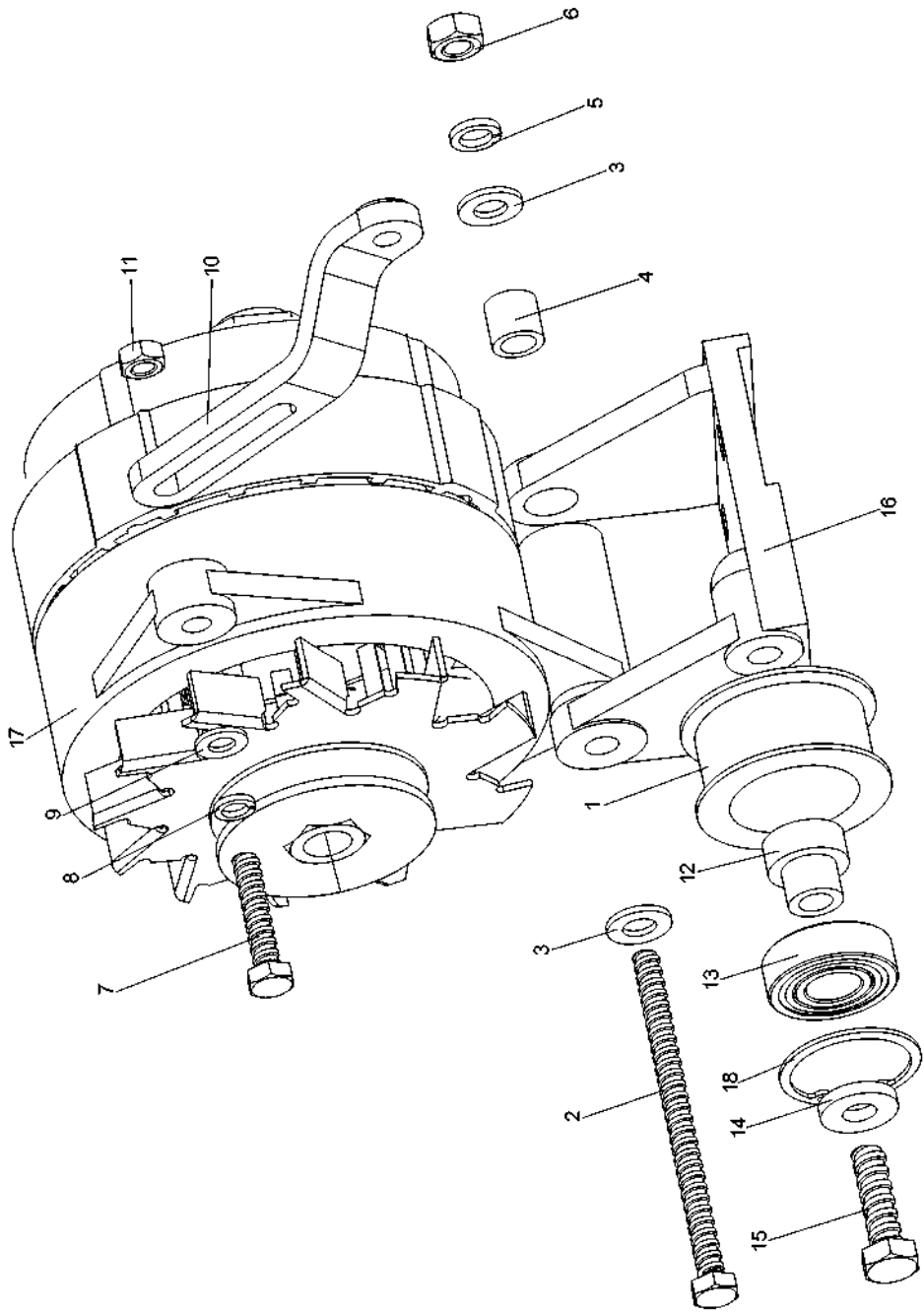
Fuel supply system



Fuel supply system

| Item | Códigos | Nombre de piezas | Cant. | Observ. |
|------|-----------------|--|-------|---------|
| 1 | 4K 39T- 23100 | First- cylinder high - pressure pipeline components | 1 | |
| 2 | 4K 39T- 23200 | The second part-cylinder high- pressure pipeline | 1 | |
| 3 | 4K 39T- 23300 | Third- cylinder high- pressure pipeline components | 1 | |
| 4 | 4K 39T- 23400 | Fourth-cylinder high- pressure pipeline components | 1 | |
| 5 | 490B- 23500 | High- pressure pipe clamp parts | 3 | |
| 6 | 4K 39T- 21000 | Pump assembly | 1 | |
| 7 | 4K 39T- 24000 | Diesel filter | 1 | |
| 8 | GB/T5783- 2000 | Bolt M10630 | 2 | |
| 9 | GB/T93- 1987 | Spring washer 10 | 4 | |
| 10 | GB/T6170- 1987 | Nut M10 | 2 | |
| 11 | GB/T5783- 2000 | Bolt M10645 | 2 | |
| 12 | 4K 39T- 26001 | Fuel filter bracket | 1 | |
| 13 | 4K 39T- 26002 | Fuel filter support cushion | 2 | |
| 14 | 4K 39T- 32000 | Oil filter assembly | 1 | |
| 15 | 4K 39T- 25100-2 | Fuel injector fuel pump fuel to the fuel pump back into the pipe parts | 1 | |
| 16 | 4K 39T- 25300 | Fuel pump inlet pipe to the filter components | 1 | |
| 17 | 4K 39T- 25200-1 | Filter to the fuel pump inlet pipe parts | 1 | |
| 18 | 4K 39T- 22000 | Injector assy | 4 | |

Charging generator and bracket assembly



Charging generator and bracket assembly

| Item | Códigos | Nombre de piezas | Cant. | Observ. |
|------|----------------|----------------------------|-------|---------|
| 1 | 4K39T- 53101 | Tensioner pulley | 1 | |
| 2 | GB/T5783- 2000 | Bolt M106115 | 1 | |
| 3 | GB/T97.1- 2002 | Flat washer 10 | 2 | |
| 4 | 4K39T- 53003 | Generator bracket liner | 1 | |
| 5 | GB/T93- 1987 | Spring washer 10 | 1 | |
| 6 | GB/T6170- 2000 | Nut M10 | 1 | |
| 7 | GB/T5783- 2000 | Bolt M8640 | 1 | |
| 8 | GB/T93- 1987 | Spring washer 8 | 1 | |
| 9 | GB/T97.1- 2002 | Flat washer 8 | 1 | |
| 10 | 4K39T- 53002 | Generator adjustment stand | 1 | |
| 11 | GB/T6170- 2000 | Nut M8 | 1 | |
| 12 | 4K39T- 53102 | Tension wheel | 1 | |
| 13 | GB/T278- 1989 | Bearing 6203-2Z | 1 | |
| 14 | 4K39T- 53103 | Tension wheel bearing | 1 | |
| 15 | GB/T5782- 2000 | Bolt M10645 | 1 | |
| 16 | 4K39T- 53001 | Generator bracket | 1 | |
| 17 | 4K39T- 52000 | Generator | 1 | |
| 18 | GB893.1- 86 | Ring 40 | 1 | |

MICHIGAN[®]